

6

5

4

3

2

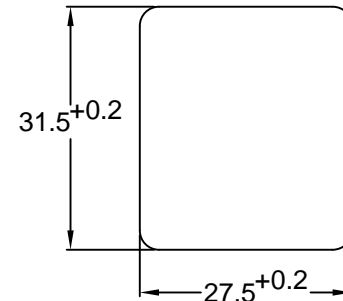
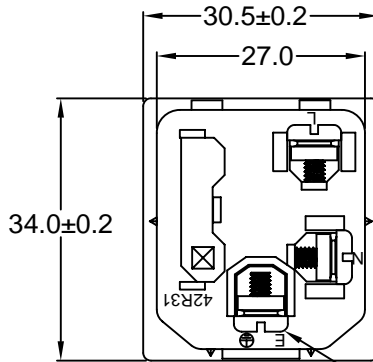
1

MATERIAL AND FINISH:

Insulator: Polycarbonate, UL-94V-0 rated
Contacts: Brass, Nickel plated

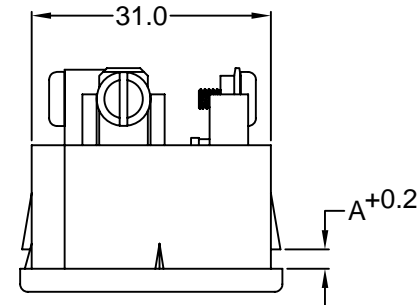
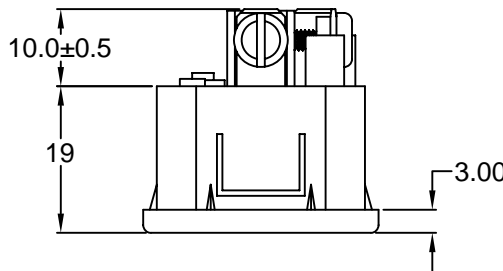
ELECTRICAL SPECIFICATIONS:

Current rating: 10 A
Voltage rating: 250 VAC
Insulation resistance: 100 Mohm min. at 500 VDC
Dielectric withstanding voltage: 2000 VAC for one minute



RECOMMENDED
PANEL CUTOUT

M3x6.0mm
SCREW TERMINALS



ORDERING CODE:

42R31-3 1 -
 1 2 3

1) COLOR

- 1 = BLACK
- 2 = GRAY

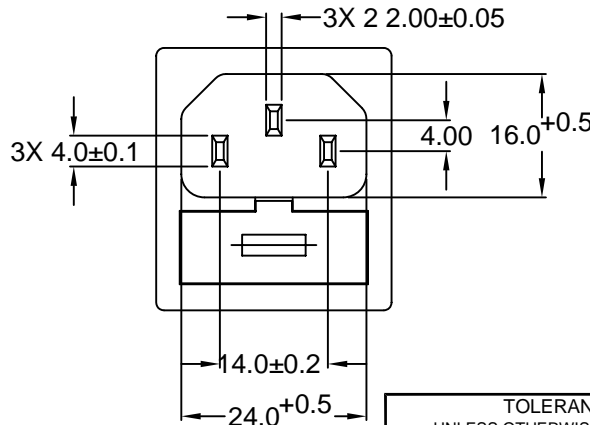
2) ELECTRICAL CIRCUIT CONFIGURATION

1 = 10A 250V 70°C
2+GROUND

2 = 10A 250V 120°C
2+GROUND

4 = 10A 250V 70°C
2 POLE

3) PANEL THICKNESS



P/N	A	MAX. PANEL THICKNESS
42R31-3X1X-150	1.5	1.5
42R31-3X1X-200	2.0	2.0
42R31-3X1X-250	2.5	2.5

ADDITIONAL PANEL THICKNESS
AVAILABLE ON REQUEST

TOLERANCE
UNLESS OTHERWISE SPECIFIED
X ± 1
X.X ± 0.4
X.XX ± 0.20

Power Dynamics, Inc.

Phone: 973 560-0019 Whippany, New Jersey Fax: 973 560-0076

PART: IEC 60320 SINGLE FUSE HOLDER APPL. INLET;
SCREW TERMINALS; SNAP-IN

DRAWN BY	GQ	DATE:	08/30/01
CHECK BY	TD	DATE:	09/06/01
APPR BY	PB	DATE:	09/06/01

PART #: 42R31-3X1X-XXX		SHEET 1 of 1
SIZE: A	ALL DIMENSIONS FOR REFERENCE ONLY DIMENSIONS ARE IN MILLIMETERS	
SCALE: NTS	REV:	

RoHS
COMPLIANT

REVISIONS	CHANGE	CHK	APPR
REV	DATE		

6

5

4

3

2

1