



Frontier Electronics Corp.

667 E. COCHRAN STREET, SIMI VALLEY, CA 93065

TEL: (805) 522-9998 FAX: (805) 522-9989

E-mail: frontiersales@frontierusa.com

Web: <http://www.frontierusa.com>

1WATT SURFACE MOUNT ZENER DIODE

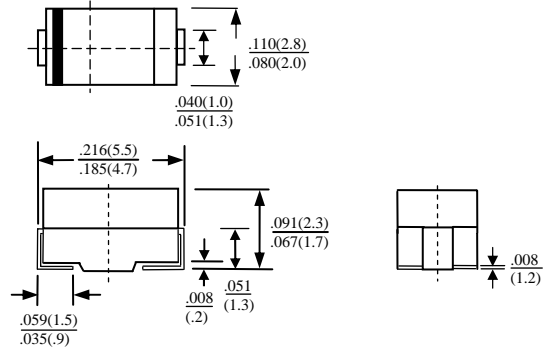
ZS110-LFR THRU ZS330-LFR

FEATURES

- PLASTIC PACKAGE HAS UNDERWRITERS LABORATORY FLAMMABILITY CLASSIFICATION 94V-0
- LOW ZENER IMPEDANCE
- EXCELLENT CLAMPING CAPABILITY
- ROHS

MECHANICAL DATA

- CASE: MOLDED PLASTIC, DO214AC SMA, DIMENSIONS IN INCHES AND (MILLIMETERS)
- TERMINALS: SOLDER PLATED
- POLARITY: INDICATED BY CATHODE BAND
- WEIGHT: 0.064 GRAMS



MAXIMUM RATINGS AND ELECTRICAL CHARACTERISTICS RATINGS AT 25°C AMBIENT TEMPERATURE UNLESS OTHERWISE SPECIFIED STORAGE AND OPERATING TEMPERATURE RANGE -55°C TO +150°C

| ELECTRICAL CHARACTERISTICS (TA=25°C UNLESS OTHERWISE NOTED) VF=1.2V MAX, IF = 200mA FOR ALL TYPES | | | | | | | | |
|---|-------------------------------|------------------------------------|-----------------|-----------------|-----------------|--|----------------|----------------|
| TYPE | ZENER BREAKDOWN VOLTAGE | DYNAMIC IMPEDANCES @ 25°C TA | | | | MAXIMUM REVERSE CURRENT @ MEASUREMENT VOLTAGE AND 25°C TA | | |
| | | V _Z | I _{ZT} | Z _{ZT} | I _{ZK} | Z _{ZK} | V _R | I _R |
| | | V | mA | Ohms | mA | ohms | V | μA |
| ZS110-LFR | 110 | 5 | 750 | 0.25 | 5000 | 80 | 0.5 | |
| ZS115-LFR | 115 | 5 | 750 | 0.25 | 5000 | 85 | 0.5 | |
| ZS120-LFR | 120 | 5 | 850 | 0.25 | 5000 | 90 | 0.5 | |
| ZS130-LFR | 130 | 5 | 1000 | 0.25 | 5000 | 95 | 0.5 | |
| ZS140-LFR | 140 | 5 | 1200 | 0.25 | 5000 | 105 | 0.5 | |
| ZS150-LFR | 150 | 5 | 1300 | 0.25 | 5000 | 110 | 0.5 | |
| ZS160-LFR | 160 | 5 | 1500 | 0.25 | 5000 | 120 | 0.5 | |
| ZS170-LFR | 170 | 5 | 2200 | 0.25 | 5000 | 130 | 0.5 | |
| ZS180-LFR | 180 | 5 | 2200 | 0.25 | 5000 | 140 | 0.5 | |
| ZS190-LFR | 190 | 5 | 2500 | 0.25 | 5000 | 150 | 0.5 | |
| ZS200-LFR | 200 | 5 | 2500 | 0.25 | 8000 | 165 | 0.5 | |
| ZS210-LFR | 210 | 5 | 5000 | 0.25 | 9000 | 165 | 0.5 | |
| ZS220-LFR | 220 | 5 | 5000 | 0.25 | 9000 | 170 | 0.5 | |
| ZS230-LFR | 230 | 5 | 5000 | 0.25 | 9000 | 175 | 0.5 | |
| ZS240-LFR | 240 | 5 | 5000 | 0.25 | 9000 | 180 | 0.5 | |
| ZS250-LFR | 250 | 5 | 5000 | 0.25 | 9000 | 190 | 0.5 | |
| ZS260-LFR | 260 | 5 | 5000 | 0.25 | 9000 | 195 | 0.5 | |
| ZS270-LFR | 270 | 5 | 5000 | 0.25 | 9000 | 200 | 0.5 | |
| ZS280-LFR | 280 | 5 | 5000 | 0.25 | 9000 | 210 | 0.5 | |
| ZS290-LFR | 290 | 5 | 5000 | 0.25 | 9000 | 215 | 0.5 | |
| ZS300-LFR | 300 | 5 | 5000 | 0.25 | 9000 | 220 | 0.5 | |
| ZS310-LFR | 310 | 5 | 5000 | 0.25 | 9500 | 225 | 0.5 | |
| ZS320-LFR | 320 | 5 | 5000 | 0.25 | 9500 | 233 | 0.5 | |
| ZS330-LFR | 330 | 5 | 5000 | 0.25 | 9500 | 240 | 0.5 | |

NOTE: STANDARD ± 20%, SUFFIX "A" ± 10%, SUFFIX "B" ± 5% "U" +5% -0%, SUFFIX "D" +0% -5%, SUFFIX "T" ± 10V

RATING AND CHARACTERISTIC CURVES ZS110-LFR THRU ZS330-LFR

FIG. 1 - MAXIMUM CONTINUOUS POWER DISSIPATION

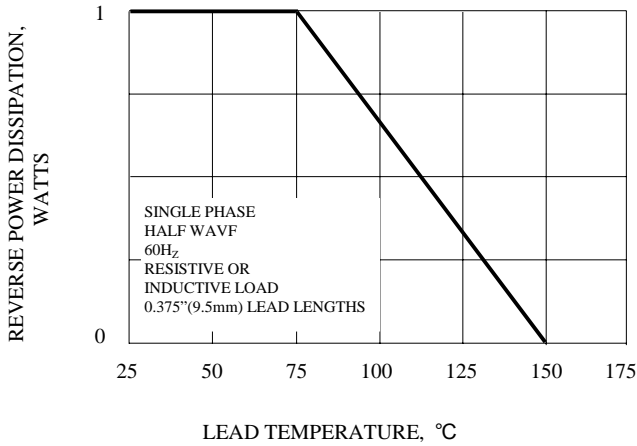


FIG. 2 - ZENER VOLTAGE VERSUS ZENER CURRENT

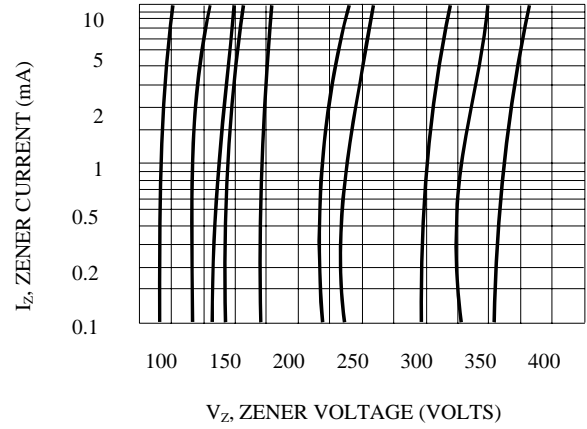


FIG. 3 - TYPICAL INSTANTANEOUS FORWARD CHARACTERISTICS

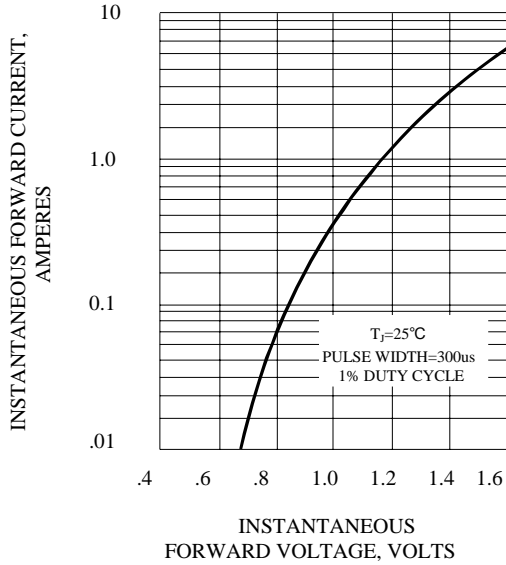


FIG. 4 - TYPICAL REVERSE CHARACTERISTICS

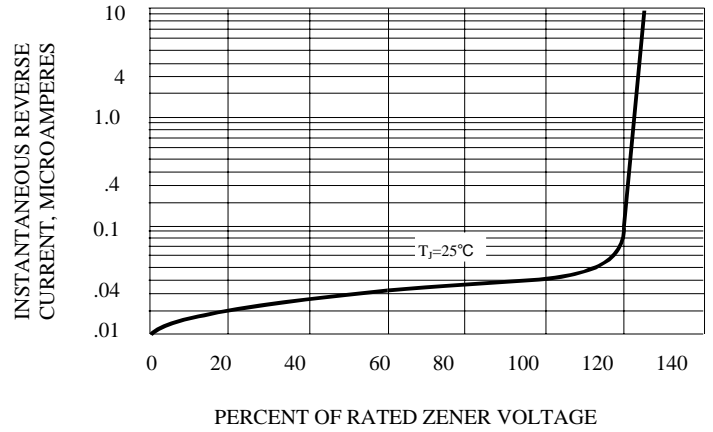


FIG. 5 - TYPICAL TEMPERATURE COEFFICIENTS

