

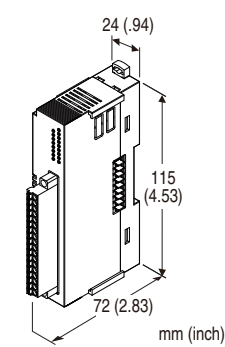
Remote I/O R8 Series

NPN TRANSISTOR OUTPUT MODULE, 16 points

(with shortcircuit protection, Tension clamp terminal block)

Functions & Features

- 16 channels for discrete output, compact size remote I/O module
- 18 pins tension clamp connector



MODEL: R8-DCT16A2[1]

ORDERING INFORMATION

- Code number: R8-DCT16A2[1]
Specify a code from below for [1].
(e.g. R8-DCT16A2/Q)
- Specify the specification for option code /Q
(e.g. /C01)

[1] OPTIONS

blank: none

/Q: With options (specify the specification)

SPECIFICATIONS OF OPTION: Q

COATING (For the detail, refer to M-System's web site.)

/C01: Silicone coating

/C02: Polyurethane coating

RELATED PRODUCTS

- PC configurator software (model: R8CFG)
Downloadable at M-System's web site.
A dedicated cable is required to connect the module to the PC. Please refer to the internet software download site or the users manual for the PC configurator for applicable cable types.

GENERAL SPECIFICATIONS

Connection

- **Output:** Tension clamp

Applicable wire size: 0.2 - 1.5 mm²

Stripped length: 10 mm

- **Excitation supply, internal bus:**

Connected to internal bus connector

- **Internal power:** Via bus connector

Isolation: Output or exc. supply to internal bus or internal power

Module address: With DIP switch

Output at the loss of communication: Selectable with the side DIP SW

Terminating resistor: Built-in (DIP Switch, default: disable)

Configuration mode: With DIP switches on the side panel

Status indicator: Bi-color (red/green) LED; Refer to the instruction manual.

Discrete output status indicators: Green LED; Refer to the instruction manual.

OUTPUT SPECIFICATIONS

Common: Negative common (NPN) per 16 points

Maximum outputs applicable at once: No limit (at 24 V DC)

Number of output: 16 points

Rated load voltage: 24 V DC $\pm 10\%$

Rated output current: 0.1 A per point, 1.6 A per common

Residual voltage: ≤ 0.5 V

Leakage current: ≤ 0.1 mA

ON delay: ≤ 0.5 msec.

OFF delay: ≤ 1.5 msec.

With shortcircuit protection

With overheat protection

(When driving an inductive load, connect a diode in parallel with the load.)

INSTALLATION

Max. current consumption: 110 mA

Operating temperature: -10 to +55°C (14 to 131°F)

Operating humidity: 30 to 90 %RH (non-condensing)

Atmosphere: No corrosive gas or heavy dust

Mounting: DIN rail

Weight: 110 g (0.24 lb)

PERFORMANCE

Data allocation: 1

Module addresses in use: 1

Power output (output connector): Power output (input terminal): Rated current DC 3 A (rated current 3 A for internal fuse (slow blow fuse i^2t (A²sec) max. 5.04)

Insulation resistance: ≥ 100 M Ω with 500 V DC

Dielectric strength: 1500V AC @1 minute

(output or exc. supply to internal bus or internal power to ground)

STANDARDS & APPROVALS

EU conformity:

EMC Directive

EMI EN 61000-6-4

EMS EN 61000-6-2

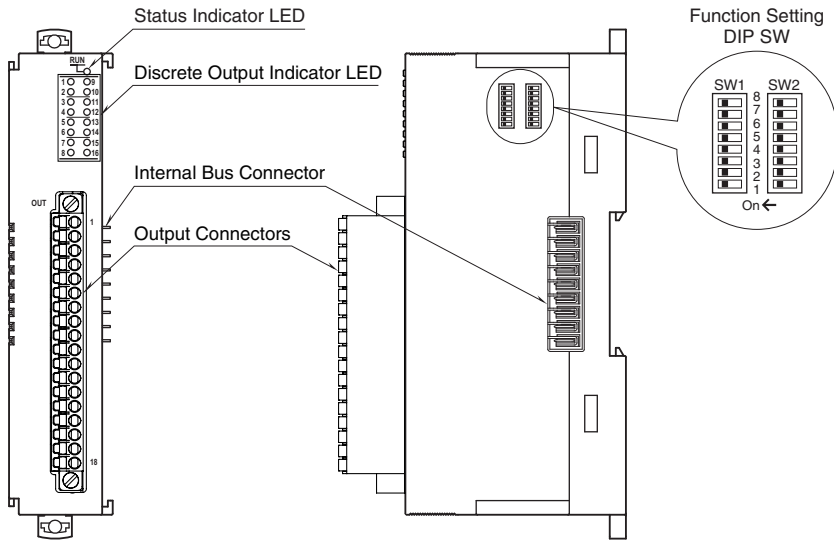
RoHS Directive

EN 50581

EXTERNAL VIEW

■ FRONT VIEW

■ SIDE VIEW



OPERATING MODE SETTING

(*) Factory setting

Caution ! - SW2-1, 2-2, 2-3, 2-4, 2-7 are unused. Be sure to turn off unused ones.

■ Module Address

The SW1-1, SW1-2, SW1-3, SW1-4 determines the tenth place digit, while the SW1-5, SW1-6, SW1-7, SW1-8 does the ones place digit of the address.

Address is selected between 0 to 31.

(Factory setting: 0)

MODULE ADDRESS	SW1				
	×10	1	2	3	4
	×1	5	6	7	8
0		OFF	OFF	OFF	OFF
1		OFF	OFF	OFF	ON
2		OFF	OFF	ON	OFF
3		OFF	OFF	ON	ON
4		OFF	ON	OFF	OFF
5		OFF	ON	OFF	ON
6		OFF	ON	ON	OFF
7		OFF	ON	ON	ON
8		ON	OFF	OFF	OFF
9		ON	OFF	OFF	ON

■ Output at The Loss of Communication

OUTPUT AT THE LOSS OF COMMUNICATION	SW2
	5
Output Hold (*) (last data correctly received is hold)	OFF
Stop output (Output fixed at OFF)	ON

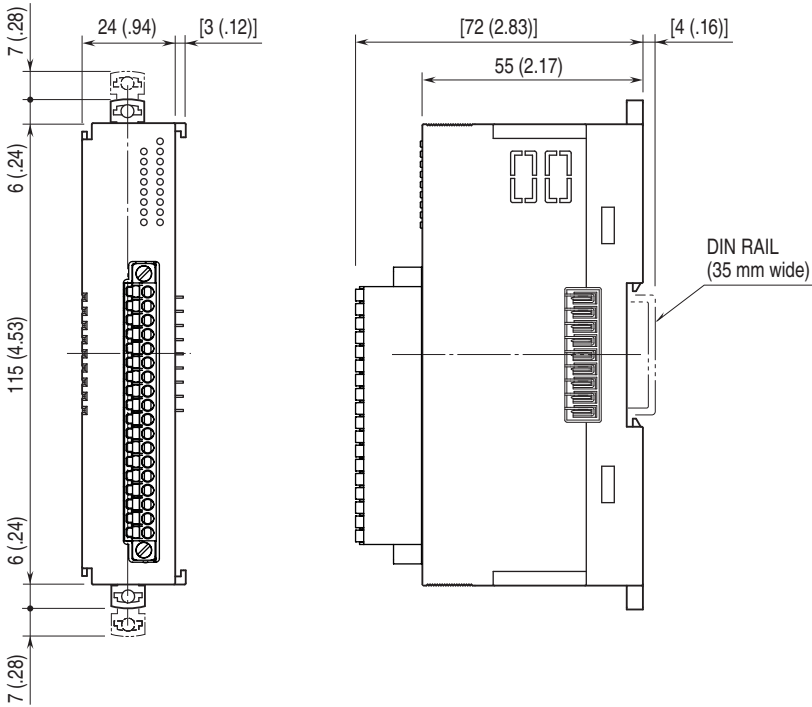
■ Terminator DIP SW

TERMINATOR SW	SW2
	6
Without (*)	OFF
With	ON

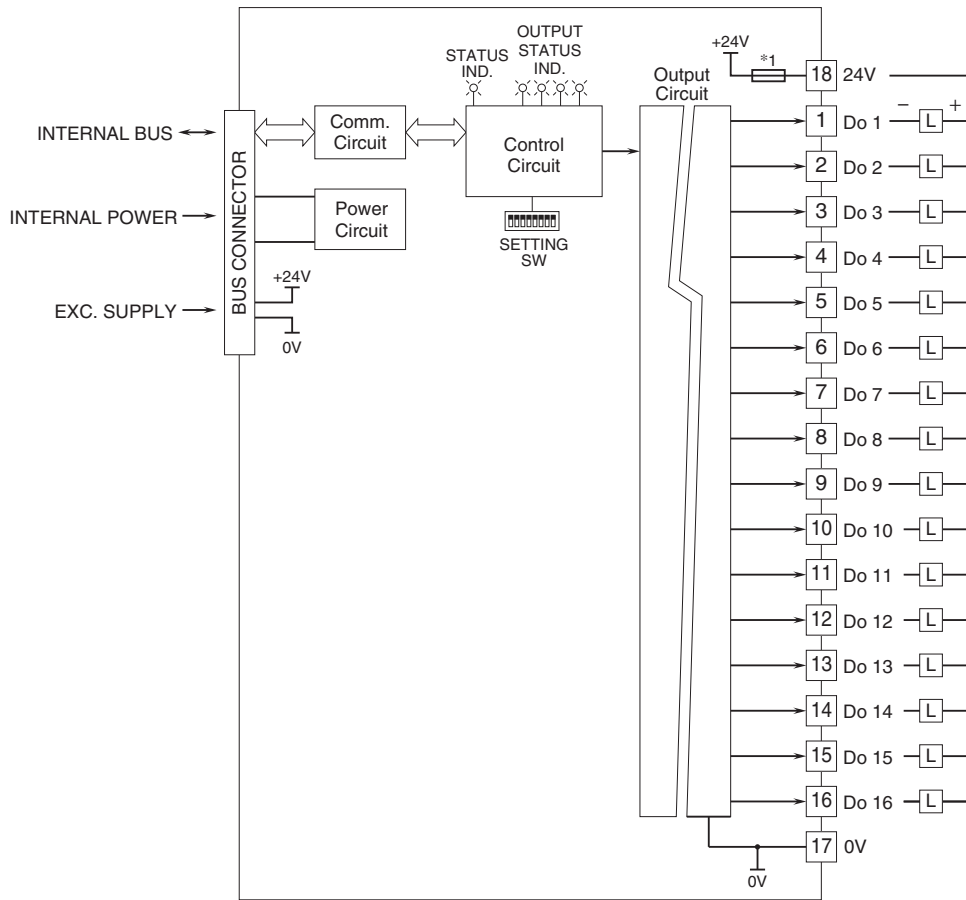
■ Configuration Mode

CONFIGURATION MODE	SW2
	8
DIP switch setting (*)	OFF
PC Configurator and communication	ON

DIMENSIONS unit: mm (inch)

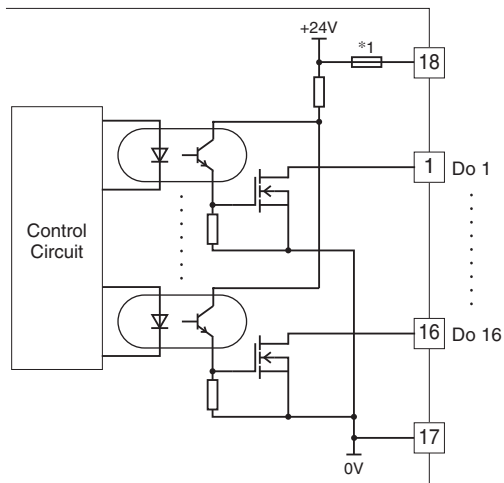


SCHEMATIC CIRCUITRY & CONNECTION DIAGRAM



*1. Fuse is not replaceable.

■ OUTPUT CIRCUIT



Specifications are subject to change without notice.