

PLEASE CHECK WWW.MOLEX.COM FOR LATEST PART INFORMATION

Part Number: [0026482106](#)
Status: **Active**
Description: 3.96mm (.156") Pitch KK® Header, Breakaway, Right Angle, with Friction Lock, 10 Circuits, Gold (Au) Plating

Documents:

[3D Model](#) [Product Specification PS-08-50 \(PDF\)](#)
[Drawing \(PDF\)](#) [RoHS Certificate of Compliance \(PDF\)](#)
[Packaging Specification \(PDF\)](#)

Agency Certification

CSA LR19980
 UL E29179

General

Product Family PCB Headers
 Series [41672](#)
 Application Wire-to-Board
 Product Name KK®

Physical

Breakaway Yes
 Circuits (Loaded) 10
 Circuits (maximum) 10
 Color - Resin Black
 Durability (mating cycles max) 50
 Flammability 94V-0
 Glow-Wire Compliant No
 Lock to Mating Part Yes
 Material - Metal Brass
 Material - Plating Mating Gold
 Material - Plating Termination Gold
 Material - Resin Polyester
 Number of Rows 1
 Orientation Right Angle
 PC Tail Length (in) 0.212 In
 PC Tail Length (mm) 5.38 mm
 PCB Locator No
 PCB Retention None
 PCB Thickness Recommended (in) 0.062 In
 PCB Thickness Recommended (mm) 1.60 mm
 Packaging Type Bag
 Pitch - Mating Interface (in) 0.156 In
 Pitch - Mating Interface (mm) 3.96 mm
 Plating min: Mating (µin) 20
 Plating min: Mating (µm) 0.5
 Plating min: Termination (µin) 20
 Plating min: Termination (µm) 0.5
 Polarized to Mating Part No
 Polarized to PCB Yes
 Shrouded No
 Stackable No
 Temperature Range - Operating 0°C to +75°C
 Termination Interface: Style Through Hole

Electrical

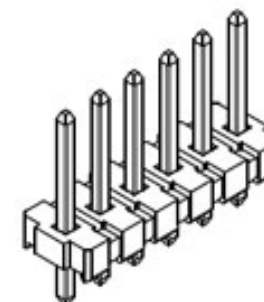


image - Reference only

Series

EU RoHS

ELV and RoHS Compliant
REACH SVHC Contains SVHC: No
Halogen-Free Status
Not Reviewed

China RoHS



Need more information on product environmental compliance?

Email productcompliance@molex.com
 For a multiple part number RoHS Certificate of Compliance, [click here](#)

Please visit the [Contact Us](#) section for any non-product compliance questions.

Search Parts in this Series

[41672Series](#)

Mates With

[3069](#) , [3215](#) , [2139](#) , [2145](#) , [6442](#) , [7674](#) , [7675](#) , [41695](#) , [41815](#)

Current - Maximum per Contact 7A
Voltage - Maximum 250V

Solder Process Data

Duration at Max. Process Temperature (seconds) 5
Lead-free Process Capability Wave Capable (TH only)
Max. Cycles at Max. Process Temperature 1
Process Temperature max. C 235

Material Info

Old Part Number A-41672-A10A501

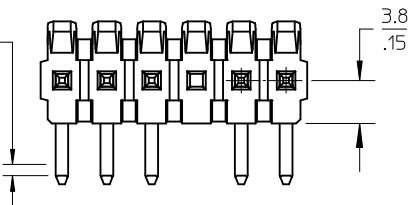
Reference - Drawing Numbers

Product Specification PS-08-50
Sales Drawing SD-41672-001, SD-41672-002

This document was generated on 03/22/2010

PLEASE CHECK WWW.MOLEX.COM FOR LATEST PART INFORMATION

CENTERLINE OF PIN IN AREA SHOWN NOT TO VARY FROM CENTERLINE OF PIN AT -D- BY MORE THAN 0.13/.005 IN ANY DIRECTION.



A-41672- * N * *-*

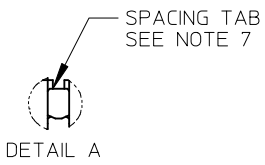
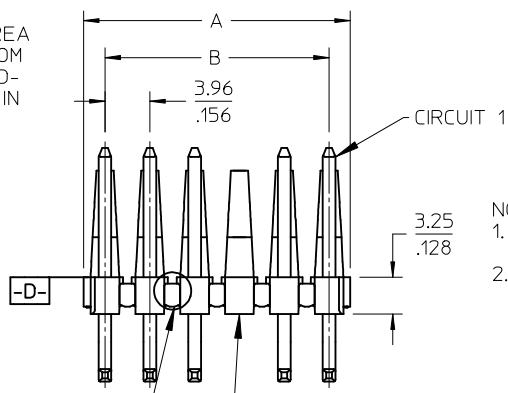
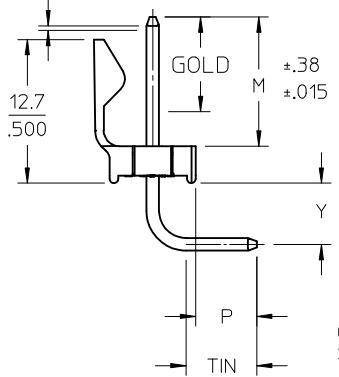
OPTION - PACKING
 A= 2161 PIN- BULK PACK
 B= 43294 PIN- BULK PACK

NO OF CKTS
 DIM M.L.P
 PLATING

VOID LOCATIONS
 BLANK=NO VOIDS
 NO=CKT NO VOIDED
 MULT-VOIDS=51 UP

| CIRCUIT | A | B |
|---------|----------------------------|----------------|
| 2 | 6.78/7.87 .267/1.310 | 3.96 .156 |
| 3 | 10.74/11.84 .423/1.466 | 7.92 .312 |
| 4 | 14.71/15.80 .579/1.622 | 11.89 .468 |
| 5 | 18.67/19.76 .735/1.778 | 15.85 .624 |
| 6 | 22.63/23.72 .891/1.934 | 19.81 .780 |
| 7 | 26.59/27.69 1.047/1.090 | 23.77 .936 |
| 8 | 30.56/31.65 1.203/1.246 | 27.74 1.092 |
| 9 | 34.52/35.61 1.359/1.402 | 31.70 1.248 |
| 10 | 38.48/39.57 1.515/1.558 | 35.66 1.404 |
| 11 | 42.44/43.54 1.671/1.714 | 39.62 1.560 |
| 12 | 46.41/47.50 1.827/1.870 | 43.59 1.716 |
| 13 | 50.37/51.46 1.983/2.026 | 47.55 1.872 |
| 14 | 54.33/55.42 2.139/2.182 | 51.51 2.028 |
| 15 | 58.29/59.39 2.295/2.338 | 55.47 2.184 |
| 16 | 62.26/63.35 2.451/2.494 | 59.44 2.340 |
| 17 | 66.22/67.31 2.607/2.650 | 63.40 2.496 |
| 18 | 70.18/71.27 2.763/2.806 | 67.36 2.652 |
| 19 | 74.14/75.23 2.919/2.962 | 71.32 2.808 |
| 20 | 78.11/79.20 3.075/3.118 | 75.29 2.964 |
| 21 | 82.07/83.16 3.231/3.274 | 79.25 3.120 |
| 22 | 86.03/87.12 3.387/3.430 | 83.21 3.276 |
| 23 | 89.94/91.08 3.541/3.586 | 87.17 3.432 |
| 24 | 93.85/95.00 3.695/3.740 | 91.14 3.588 |

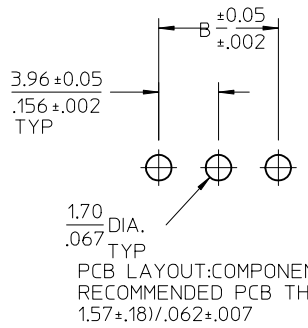
CENTERLINE OF PIN IN AREA SHOWN NOT TO VARY FROM CENTERLINE OF PIN AT -D- BY MORE THAN 0.20/.008 IN ANY DIRECTION.



- NOTES:
- MATERIAL: HEADER: POLYESTER, 94V-0, MOLDED BLACK PIN: BRASS
 - FINISH:
 - (102) OVERALL TIN: 0.00508/.000200 MIN OVER 0.00254/.000100 MIN COPPER.
 - (154) OVERALL TIN: 0.00254/.000100 MIN OVER 0.00127/.000050 MIN NICKEL.
 - (208) SELECT GOLD: 0.00038/.000015 MIN, *SELECT TIN: 0.00254/.000100 MIN, OVERALL NICKEL UNDERPLATE: 0.00127/.000050 MIN.
 - (228) SELECT GOLD: 0.00076/.000030 MIN, *SELECT TIN: 0.00254/.000100 MIN, OVERALL NICKEL UNDERPLATE: 0.00127/.000050 MIN.
 - (501) OVERALL GOLD: 0.00051/.000020 MIN OVER 0.00076/.000030 MIN NICKEL.
 - (503) OVERALL GOLD: 0.00076/.000030 MIN OVER 0.00127/.000050 MIN NICKEL.
 - *THE PRIMARY SHIPPING CARTON WILL BE LABELED "COMPLIANT TO RoHS DIRECTIVE 2002/95/EC AND ELV ANNEX II OF DIRECTIVE 2000/53/EC". CARTONS WITHOUT THIS LABEL MAY CONTAIN PRODUCT WITH TIN/LEAD PLATINGS.
 - PRODUCT SPECIFICATION: PS-08-50.
 - PACKAGING INFORMATION: SEE TABLES
 - SOLDERABILITY: PER SMES-152.
 - PIN PUSH-OUT FORCE: PRIOR TO SOLDERING, A 3 LB. MINIMUM FORCE IN EITHER DIRECTION SHALL BE REQUIRED TO PUSH THE PIN OUT OF THE HEADER.
 - PARTS ARE STACKABLE END TO END ON 3.96/.156 CENTERS.(SPACING TABS MUST BE REMOVED ON CIRCUIT SIZES 1-23 BEFORE PARTS ARE STACKABLE.
 - PARTS WILL CONFORM TO CLASS B REQUIREMENTS OF COSMETIC SPECIFICATION PS-45499-002.

SEE DETAIL A

OPTIONAL VOIDED CKT. SEE CHART FOR LOCATIONS



| | |
|---------------------------|-----------------|
| ADD 41672-0228 | QUALITY SYMBOLS |
| EC NO: UCP2009-2938 | ▼=0 |
| DRWN:MK LIPPER 2009/06/12 | ▽=0 |
| CHKD:SSOUSEK 2009/06/15 | |
| APPR:FSM TH 2009/06/15 | |
| DESCRIPTION | |
| REV | |

| GENERAL TOLERANCES (UNLESS SPECIFIED) | | DIMENSION STYLE | |
|------------------------------------------------------|--------|-----------------|-----------|
| | | MM/IN | |
| | | DRAWN BY | DATE |
| 4 PLACES | ± --- | JSCHAFFER | 12-5-03 |
| 3 PLACES | ± --- | CHECKED BY | DATE |
| 2 PLACES | ± 0.25 | KSAMIEC | 12-12-03 |
| 1 PLACE | ± 0.38 | APPROVED BY | DATE |
| | | MARGULIS | 12-16-03 |
| | | ANGULAR ±1/2° | |
| DRAFT WHERE APPLICABLE MUST REMAIN WITHIN DIMENSIONS | | MATERIAL NO. | SEE CHART |

| | |
|--------------|-------------------------------------------------------------|
| SCALE | 2:1 |
| DESIGN UNITS | INCH |
| TITLE | KK .156 HEADER ASSEMBLY FRICTION LOCK BREAKAWAY RIGHT ANGLE |
| APPROVED BY | MARGULIS |
| DATE | 12-16-03 |
| DOCUMENT NO. | SD-41672-001 |
| SHEET NO. | 1 OF * |

THIRD ANGLE PROJECTION

MOLEX INCORPORATED

THIS DRAWING CONTAINS INFORMATION THAT IS PROPRIETARY TO MOLEX INCORPORATED AND SHOULD NOT BE USED WITHOUT WRITTEN PERMISSION

| | |
|-------|-----|
| 2-* | AB4 |
| 1 | AB4 |
| SHEET | REV |
| | AB4 |

| | |
|----------------|---------------|
| Header No: | 41186-A-AN |
| Pin No: | 2161-37(102) |
| Pin Length L | 1.100 / 27.90 |
| Mating M | .450 / 11.43 |
| Gold: | NA |
| Bend Height: Y | .213 / 5.41 |
| PC Tail P | .212 / 5.38 |
| Tin: | OVERALL |
| Pack Per | PK-41672-001 |

| | |
|----------------|---------------|
| Header No: | 41186-A-AN |
| Pin No: | 43294-0569 |
| Pin Length L | 1.100 / 27.90 |
| Mating M | .450 / 11.43 |
| Gold: | .270 / 6.86 |
| Bend Height: Y | .213 / 5.41 |
| PC Tail P | .212 / 5.38 |
| Tin: | .200 / 5.08 |
| Pack Per | PK-41672-001 |

| | |
|----------------|---------------|
| Header No: | 41186-A-AN |
| Pin No: | 43294-0570 |
| Pin Length L | 1.100 / 27.90 |
| Mating M | .450 / 11.43 |
| Gold: | .270 / 6.86 |
| Bend Height: Y | .213 / 5.41 |
| PC Tail P | .212 / 5.38 |
| Tin: | .200 / 5.08 |
| Pack Per | PK-41672-001 |

| | |
|----------------|---------------|
| Header No: | 41186-A-AN |
| Pin No: | 2161-37(501) |
| Pin Length L | 1.100 / 27.90 |
| Mating M | .450 / 11.43 |
| Gold: | OVERALL |
| Bend Height: Y | .213 / 5.41 |
| PC Tail P | .212 / 5.38 |
| Tin: | NA |
| Pack Per | PK-41672-001 |

| Ckts | Material No | Engineer Number |
|------|-------------|-----------------|
| 2 | 026481026 | A-41672-A02A102 |
| 3 | 026481036 | A-41672-A03A102 |
| 4 | 026481046 | A-41672-A04A102 |
| 5 | 026481056 | A-41672-A05A102 |
| 6 | 026481066 | A-41672-A06A102 |
| 7 | 026481076 | A-41672-A07A102 |
| 8 | 026481086 | A-41672-A08A102 |
| 9 | 026481096 | A-41672-A09A102 |
| 10 | 026481106 | A-41672-A10A102 |
| 11 | 026481116 | A-41672-A11A102 |
| 12 | 026481126 | A-41672-A12A102 |
| 13 | 026481136 | A-41672-A13A102 |
| 14 | 026481146 | A-41672-A14A102 |
| 15 | 026481156 | A-41672-A15A102 |
| 16 | 026481166 | A-41672-A16A102 |
| 17 | 026481176 | A-41672-A17A102 |
| 18 | 026481186 | A-41672-A18A102 |
| 19 | 026481196 | A-41672-A19A102 |
| 20 | 026481206 | A-41672-A20A102 |
| 21 | 026481216 | A-41672-A21A102 |
| 22 | 026481226 | A-41672-A22A102 |
| 23 | 026481236 | A-41672-A23A102 |
| 24 | 026481246 | A-41672-A24A102 |

| Material No | Engineer Number |
|-------------|-----------------|
| 41672-0001 | A-41672-B02A208 |
| 41672-0002 | A-41672-B03A208 |
| 41672-0003 | A-41672-B04A208 |
| 41672-0004 | A-41672-B05A208 |
| 41672-0005 | A-41672-B06A208 |
| 41672-0006 | A-41672-B07A208 |
| 41672-0007 | A-41672-B08A208 |
| 41672-0008 | A-41672-B09A208 |
| 41672-0009 | A-41672-B10A208 |
| 41672-0010 | A-41672-B11A208 |
| 41672-0011 | A-41672-B12A208 |
| 41672-0012 | A-41672-B13A208 |
| 41672-0013 | A-41672-B14A208 |
| 41672-0014 | A-41672-B15A208 |
| 41672-0015 | A-41672-B16A208 |
| 41672-0016 | A-41672-B17A208 |
| 41672-0017 | A-41672-B18A208 |
| 41672-0018 | A-41672-B19A208 |
| 41672-0019 | A-41672-B20A208 |
| 41672-0020 | A-41672-B21A208 |
| 41672-0021 | A-41672-B22A208 |
| 41672-0022 | A-41672-B23A208 |
| 41672-0023 | A-41672-B24A208 |

| Material No | Engineer Number |
|-------------|-----------------|
| 41672-0024 | A-41672-B02A228 |
| 41672-0025 | A-41672-B03A228 |
| 41672-0026 | A-41672-B04A228 |
| 41672-0027 | A-41672-B05A228 |
| 41672-0028 | A-41672-B06A228 |
| 41672-0029 | A-41672-B07A228 |
| 41672-0030 | A-41672-B08A228 |
| 41672-0031 | A-41672-B09A228 |
| 41672-0032 | A-41672-B10A228 |
| 41672-0033 | A-41672-B11A228 |
| 41672-0034 | A-41672-B12A228 |
| 41672-0035 | A-41672-B13A228 |
| 41672-0036 | A-41672-B14A228 |
| 41672-0037 | A-41672-B15A228 |
| 41672-0038 | A-41672-B16A228 |
| 41672-0039 | A-41672-B17A228 |
| 41672-0040 | A-41672-B18A228 |
| 41672-0041 | A-41672-B19A228 |
| 41672-0042 | A-41672-B20A228 |
| 41672-0043 | A-41672-B21A228 |
| 41672-0044 | A-41672-B22A228 |
| 41672-0045 | A-41672-B23A228 |
| 41672-0046 | A-41672-B24A228 |

| Material No | Engineer Number |
|-------------|-----------------|
| 026482026 | A-41672-A02A501 |
| 026482036 | A-41672-A03A501 |
| 026482046 | A-41672-A04A501 |
| 026482056 | A-41672-A05A501 |
| 026482066 | A-41672-A06A501 |
| 026482076 | A-41672-A07A501 |
| 026482086 | A-41672-A08A501 |
| 026482096 | A-41672-A09A501 |
| 026482106 | A-41672-A10A501 |
| 026482116 | A-41672-A11A501 |
| 026482126 | A-41672-A12A501 |
| 026482136 | A-41672-A13A501 |
| 026482146 | A-41672-A14A501 |
| 026482156 | A-41672-A15A501 |
| 026482166 | A-41672-A16A501 |
| 026482176 | A-41672-A17A501 |
| 026482186 | A-41672-A18A501 |
| 026482196 | A-41672-A19A501 |
| 026482206 | A-41672-A20A501 |
| 026482216 | A-41672-A21A501 |
| 026482226 | A-41672-A22A501 |
| 026482236 | A-41672-A23A501 |
| 026482246 | A-41672-A24A501 |

| | | | | | |
|-----------------------|------|-----------------------|----------------|------------------------------------------------------------------------------|--------------|
| AB4 | REV: | ECR/ECN INFORMATION: | TITLE: | KK 156 HEADER ASSEMBLY FRICITION LOCK BREAKAWAY RIGHT ANGLE | SHEET No. |
| | | EC No.: | | | - 2 - |
| | | DATE: | | | |
| DOCUMENT NUMBER: | | CREATED / REVISED BY: | CHECKED BY: | APPROVED BY: | |
| SD- 41672 -001 | | MKIPPER | SSOUSEK | FSMITH | |

| | |
|----------------|---------------|
| Header No: | 41186-A-AN |
| Pin No: | 2161-96(501) |
| Pin Length L | 1.531 / 38.89 |
| Mating M | .500 / 12.70 |
| Gold: | OVERALL |
| Bend Height: Y | .213 / 5.41 |
| PC Tail P | .592 / 15.04 |
| Tin: | NA |
| Pack Per | PK-41672-001 |

| | |
|----------------|---------------|
| Header No: | 41186-A-AN |
| Pin No: | 2161-37(501) |
| Pin Length L | 1.100 / 27.90 |
| Mating M | .523 / 13.28 |
| Gold: | OVERALL |
| Bend Height: Y | .213 / 5.41 |
| PC Tail P | .136 / 3.45 |
| Tin: | NA |
| Pack Per | PK-41672-001 |

| | |
|----------------|----------------|
| Header No: | 41186-A-AN |
| Pin No: | 2161-19(102) |
| Pin Length L | 1.032 / 26.21 |
| Mating M | .458/11.63 REF |
| Gold: | NA |
| Bend Height: Y | .221 / 5.61 |
| PC Tail P | .125+- .015 |
| Tin: | OVERALL |
| Pack Per | PK-41672-001 |

| | |
|----------------|---------------|
| Header No: | 41186-A-AN |
| Pin No: | 2161-19(102) |
| Pin Length L | 1.032 / 26.21 |
| Mating M | .461 / 11.71 |
| Gold: | NA |
| Bend Height: Y | .213 / 5.41 |
| PC Tail P | .130 / 3.30 |
| Tin: | OVERALL |
| Pack Per | PK-41672-001 |

| Ckts | Material No | Engineer Number | Material No | Engineer Number | Material No | Engineer Number | Material No | Engineer Number |
|------|-------------|-----------------|-------------|-----------------|-------------|-----------------|-------------|-----------------|
| 2 | 41672-0109 | A-41672-A02D501 | 026586020 | A-41672-A02C501 | 026482029 | A-41672-A02E102 | 41672-0151 | A-41672-A02F102 |
| 3 | 41672-0110 | A-41672-A03D501 | 026586030 | A-41672-A03C501 | 026482039 | A-41672-A03E102 | 41672-0152 | A-41672-A03F102 |
| 4 | 41672-0111 | A-41672-A04D501 | 41672-0131 | A-41672-A04C501 | 026482049 | A-41672-A04E102 | 41672-0153 | A-41672-A04F102 |
| 5 | 41672-0112 | A-41672-A05D501 | 41672-0132 | A-41672-A05C501 | 026482059 | A-41672-A05E102 | 41672-0154 | A-41672-A05F102 |
| 6 | 41672-0113 | A-41672-A06D501 | 41672-0133 | A-41672-A06C501 | 026482069 | A-41672-A06E102 | 41672-0155 | A-41672-A06F102 |
| 7 | 41672-0114 | A-41672-A07D501 | 41672-0134 | A-41672-A07C501 | 026482079 | A-41672-A07E102 | 41672-0156 | A-41672-A07F102 |
| 8 | 41672-0115 | A-41672-A08D501 | 026586080 | A-41672-A08C501 | 026482089 | A-41672-A08E102 | 41672-0157 | A-41672-A08F102 |
| 9 | 41672-0116 | A-41672-A09D501 | 41672-0135 | A-41672-A09C501 | 026482099 | A-41672-A09E102 | 41672-0158 | A-41672-A09F102 |
| 10 | 41672-0117 | A-41672-A10D501 | 41672-0136 | A-41672-A10C501 | 026482109 | A-41672-A10E102 | 41672-0159 | A-41672-A10F102 |
| 11 | 41672-0118 | A-41672-A11D501 | 41672-0137 | A-41672-A11C501 | 026482119 | A-41672-A11E102 | 41672-0160 | A-41672-A11F102 |
| 12 | 41672-0119 | A-41672-A12D501 | 41672-0138 | A-41672-A12C501 | 026482129 | A-41672-A12E102 | 41672-0161 | A-41672-A12F102 |
| 13 | 41672-0120 | A-41672-A13D501 | 41672-0139 | A-41672-A13C501 | 026482139 | A-41672-A13E102 | 41672-0162 | A-41672-A13F102 |
| 14 | 41672-0121 | A-41672-A14D501 | 41672-0140 | A-41672-A14C501 | 026482149 | A-41672-A14E102 | 41672-0163 | A-41672-A14F102 |
| 15 | 41672-0122 | A-41672-A15D501 | 41672-0141 | A-41672-A15C501 | 026482159 | A-41672-A15E102 | 41672-0164 | A-41672-A15F102 |
| 16 | 41672-0123 | A-41672-A16D501 | 41672-0142 | A-41672-A16C501 | 026482169 | A-41672-A16E102 | 41672-0165 | A-41672-A16F102 |
| 17 | 41672-0124 | A-41672-A17D501 | 41672-0143 | A-41672-A17C501 | 026482179 | A-41672-A17E102 | 41672-0166 | A-41672-A17F102 |
| 18 | 41672-0125 | A-41672-A18D501 | 41672-0144 | A-41672-A18C501 | 026482189 | A-41672-A18E102 | 41672-0167 | A-41672-A18F102 |
| 19 | 41672-0126 | A-41672-A19D501 | 41672-0145 | A-41672-A19C501 | 026482199 | A-41672-A19E102 | 41672-0168 | A-41672-A19F102 |
| 20 | 41672-0127 | A-41672-A20D501 | 41672-0146 | A-41672-A20C501 | 026482209 | A-41672-A20E102 | 41672-0169 | A-41672-A20F102 |
| 21 | 41672-0128 | A-41672-A21D501 | 41672-0147 | A-41672-A21C501 | 026482219 | A-41672-A21E102 | 41672-0170 | A-41672-A21F102 |
| 22 | 41672-0129 | A-41672-A22D501 | 41672-0148 | A-41672-A22C501 | 026482229 | A-41672-A22E102 | 41672-0171 | A-41672-A22F102 |
| 23 | 41672-0130 | A-41672-A23D501 | 41672-0149 | A-41672-A23C501 | 026482239 | A-41672-A23E102 | 41672-0172 | A-41672-A23F102 |
| 24 | 026586242 | A-41672-A24D501 | 41672-0150 | A-41672-A24C501 | 026482249 | A-41672-A24E102 | 41672-0173 | A-41672-A24F102 |

| | | | |
|--------------------------------------------------|------------------------------------------------|--------------------------------------------------------------------------------------------|--------------------------------------|
| REV: AB4 | <u>ECR/ECN INFORMATION:</u> | <u>TITLE:</u> KK 156 HEADER ASSEMBLY FRICTION LOCK BREAKAWAY RIGHT ANGLE | <u>SHEET No.</u> - 4 - |
| | <u>EC No.:</u> UCP2009-2938 | | |
| | <u>DATE:</u> 6/15/2009 | | |
| <u>DOCUMENT NUMBER:</u> SD- 41672 -001 | <u>CREATED / REVISED BY:</u> MKIPPER | <u>CHECKED BY:</u> SSOUSEK | <u>APPROVED BY:</u> FSMITH |

| | |
|----------------|---------------|
| Header No: | 41186-A-AN |
| Pin No: | 2161-52(102) |
| Pin Length L | 1.063 / 27.00 |
| Mating M | .450 / 11.43 |
| Gold: | NA |
| Bend Height: Y | .213 / 5.41 |
| PC Tail P | .172 / 4.69 |
| Tin: | OVERALL |
| Pack Per | PK-41672-001 |

| | |
|----------------|---------------|
| Header No: | 41186-A-AN |
| Pin No: | 2161-37(102) |
| Pin Length L | 1.100 / 27.90 |
| Mating M | .450 / 11.43 |
| Gold: | NA |
| Bend Height: Y | .213 / 5.41 |
| PC Tail P | .212 / 5.38 |
| Tin: | OVERALL |
| Pack Per | PK-41672-001 |

| | |
|----------------|---------------|
| Header No: | 41186-A-AN |
| Pin No: | 2161-37(501) |
| Pin Length L | 1.100 / 27.90 |
| Mating M | .450 / 11.43 |
| Gold: | OVERALL |
| Bend Height: Y | .213 / 5.41 |
| PC Tail P | .212 / 5.38 |
| Tin: | NA |
| Pack Per | PK-41672-001 |

| Ckts | Material No | Engineer Number |
|------|-------------|-----------------|
| 2 | 41672-0176 | A-41672-A02G102 |
| 3 | 41672-0177 | A-41672-A03G102 |
| 4 | 41672-0178 | A-41672-A04G102 |
| 5 | 41672-0179 | A-41672-A05G102 |
| 6 | 41672-0180 | A-41672-A06G102 |
| 7 | 41672-0181 | A-41672-A07G102 |
| 8 | 41672-0182 | A-41672-A08G102 |
| 9 | 41672-0183 | A-41672-A09G102 |
| 10 | 41672-0184 | A-41672-A10G102 |
| 11 | 41672-0185 | A-41672-A11G102 |
| 12 | 41672-0186 | A-41672-A12G102 |
| 13 | 41672-0187 | A-41672-A13G102 |
| 14 | 41672-0188 | A-41672-A14G102 |
| 15 | 41672-0189 | A-41672-A15G102 |
| 16 | 41672-0190 | A-41672-A16G102 |
| 17 | 41672-0191 | A-41672-A17G102 |
| 18 | 41672-0192 | A-41672-A18G102 |
| 19 | 41672-0193 | A-41672-A19G102 |
| 20 | 41672-0194 | A-41672-A20G102 |
| 21 | 41672-0195 | A-41672-A21G102 |
| 22 | 41672-0196 | A-41672-A22G102 |
| 23 | 41672-0197 | A-41672-A23G102 |
| 24 | 41672-0198 | A-41672-A24G102 |

| Material No | Engineer Number | Void |
|-------------|--------------------|-----------------|
| 026504051 | A-41672-A05A102-51 | 2,4 |
| 41672-0047 | A-41672-A02A102-1 | 1 |
| 41672-0174 | A-41672-A23A102-51 | 18,20 .22 |
| 026504042 | A-41672-A04A102-02 | 2 |
| 026504061 | A-41672-A06A102-4 | 4 |
| 026504043 | A-41672-A04A102-3 | 3 |
| 026504062 | A-41672-A06A102-5 | 5 |
| 416720048 | A-41672-A09A102-51 | 2,3,4, 6,7,8 |
| 416720049 | A-41672-A14A102-12 | 12 |
| 026504102 | A-41672-A10A102-5 | 5 |
| 026504072 | A-41672-A07A102-2 | 2 |
| 41672-0175 | A-41672-A11A102-2 | 2 |
| 41672-0203 | A-41672-A14A102-51 | 2,6, 11,13 |
| 41672-0227 | A-41672-A05A102-2 | 2 |

| Material No | Engineer Number | Void |
|-------------|--------------------|------|
| 026504121 | A-41672-A12A501-51 | 4,6 |
| 026497063 | A-41672-A06A501-5 | 5 |

| | | | | |
|--------------------------------------------------|------------------------------------|------------------------------------------------------------------------------------------------|--------------------------------------|--------------------------------------|
| REV: AB4 | <u>ECR/ECN INFORMATION:</u> | <u>TITLE:</u> KK 156 HEADER ASSEMBLY FRICTION LOCK BREAKAWAY RIGHT ANGLE | <u>SHEET No.</u> - 5 - | |
| | <u>EC No.:</u> UCP2009-2938 | | | |
| | <u>DATE:</u> 6/15/2009 | | | |
| <u>DOCUMENT NUMBER:</u> SD- 41672 -001 | | <u>CREATED / REVISED BY:</u> MKIPPER | <u>CHECKED BY:</u> SSOUSEK | <u>APPROVED BY:</u> FSMITH |

6

5

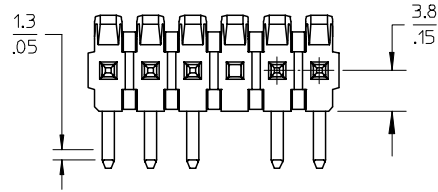
4

3

2

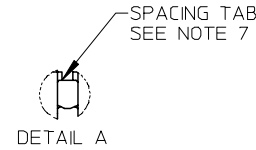
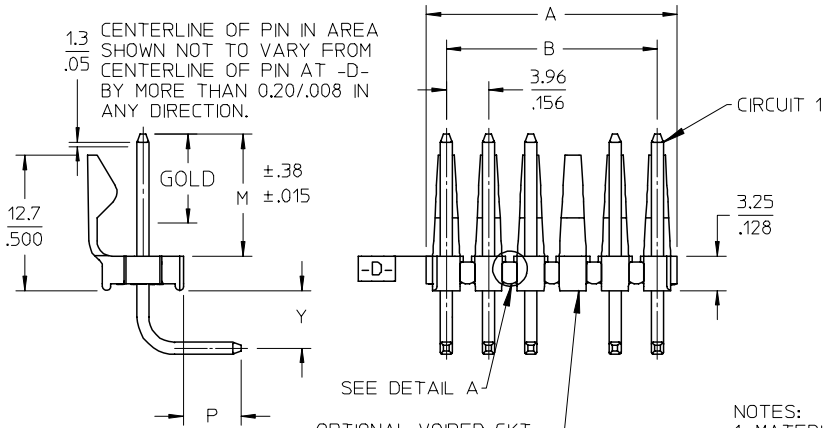
1

CENTERLINE OF PIN IN AREA SHOWN NOT TO VARY FROM CENTERLINE OF PIN AT -D- BY MORE THAN 0.13/.005 IN ANY DIRECTION.



A-41681- * N * * * *
 OPTION - PACKING
 A=BRASS - BULK PACK
 B=BRASS - TUBE PACK
 NO OF CKTS
 DIM M.L.P
 PLATING
 VOID LOCATIONS
 BLANK=NO VOIDS
 NO=CKT NO VOIDED
 MULT-VOIDS=51 UP

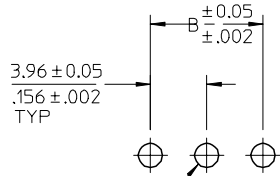
CENTERLINE OF PIN IN AREA SHOWN NOT TO VARY FROM CENTERLINE OF PIN AT -D- BY MORE THAN 0.20/.008 IN ANY DIRECTION.



OPTIONAL VOIDED CKT. SEE CHART FOR LOCATIONS

NOTES:

- MATERIAL: HEADER: POLYESTER, 94V-0, MOLDED BLACK
- FINISH:
 (228) SELECT GOLD: 0.00076/.000030 MIN.
 *SELECT TIN: 0.00254/.000100 MIN.
 OVERALL NICKEL UNDERPLATE: 0.00127/.000050 MIN.
 *THE PRIMARY SHIPPING CARTON WILL BE LABELED "COMPLIANT TO ROHS DIRECTIVE 2002/95/EC AND ELV ANNEX II OF DIRECTIVE 2000/53/EC". CARTONS WITHOUT THIS LABEL MAY CONTAIN PRODUCT WITH TIN/LEAD PLATINGS.
- PRODUCT SPECIFICATION: PS-08-50.
- PACKAGING INFORMATION: SEE CHARTS
- SOLDERABILITY: PER SMES-152.
- PIN PUSH-OUT FORCE: PRIOR TO SOLDERING, A 3 LB. MINIMUM FORCE IN EITHER DIRECTION SHALL BE REQUIRED TO PUSH THE PIN OUT OF THE HEADER.
- PARTS ARE STACKABLE END TO END ON 3.96/.156 CENTERS.(SPACING TABS MUST BE REMOVED ON CIRCUIT SIZES 1-23 BEFORE PARTS ARE STACKABLE.



1.70 DIA. / .067 TYP
 PCB LAYOUT: COMPONENT SIDE
 RECOMMENDED PCB THICKNESS:
 (1.57 ± .18) / .062 ± .007

| CIRCUIT | A | B |
|---------|----------------------------|----------------|
| 2 | 6.78/7.87 .267/.310 | 3.96 .156 |
| 3 | 10.74/11.84 .423/.466 | 7.92 .312 |
| 4 | 14.71/15.80 .579/.622 | 11.89 .468 |
| 5 | 18.67/19.76 .735/.778 | 15.85 .624 |
| 6 | 22.63/23.72 .891/.934 | 19.81 .780 |
| 7 | 26.59/27.69 1.047/1.090 | 23.77 .936 |
| 8 | 30.56/31.65 1.203/1.246 | 27.74 1.092 |
| 9 | 34.52/35.61 1.359/1.402 | 31.70 1.248 |
| 10 | 38.48/39.57 1.515/1.558 | 35.66 1.404 |
| 11 | 42.44/43.54 1.671/1.714 | 39.62 1.560 |
| 12 | 46.41/47.50 1.827/1.870 | 43.59 1.716 |
| 13 | 50.37/51.46 1.983/2.026 | 47.55 1.872 |
| 14 | 54.33/55.42 2.139/2.182 | 51.51 2.028 |
| 15 | 58.29/59.39 2.295/2.338 | 55.47 2.184 |
| 16 | 62.26/63.35 2.451/2.494 | 59.44 2.340 |
| 17 | 66.22/67.31 2.607/2.650 | 63.40 2.496 |
| 18 | 70.18/71.27 2.763/2.806 | 67.36 2.652 |
| 19 | 74.14/75.23 2.919/2.962 | 71.32 2.808 |
| 20 | 78.11/79.20 3.075/3.118 | 75.29 2.964 |
| 21 | 82.07/83.16 3.231/3.274 | 79.25 3.120 |
| 22 | 86.03/87.12 3.387/3.430 | 83.21 3.276 |
| 23 | 89.94/91.08 3.541/3.586 | 87.17 3.432 |
| 24 | 93.85/95.00 3.695/3.740 | 91.14 3.588 |

D

C

B

A

D

C

B

A

| | | | | |
|---------------|---------------------|-------------------------|-----------------------|------------------------|
| ADD DIMENSION | EC NO: UCP2006-2296 | DRWN:PRIDDER 2006/04/27 | CHKD:ADERR 2006/04/28 | APPR:FSMITH 2006/04/28 |
| REV | A2 | | | |

| | |
|-----------------|-------------|
| QUALITY SYMBOLS | DESCRIPTION |
| ▽=0 | |
| ▽=0 | |

| | | |
|------------------------------------------------------|-----------------|--------|
| GENERAL TOLERANCES (UNLESS SPECIFIED) | mm | INCH |
| | 4 PLACES ± --- | ± --- |
| | 3 PLACES ± --- | ± .010 |
| | 2 PLACES ± 0.25 | ± .015 |
| | 1 PLACE ± 0.38 | ± --- |
| | ANGULAR ± 1/2° | |
| DRAFT WHERE APPLICABLE MUST REMAIN WITHIN DIMENSIONS | | |

| | |
|------------------------|-------------------------------------------------------------------------------------------------------------------------------|
| DIMENSION STYLE MM/IN | |
| DRAWN BY JSCHAFFER | DATE 12-5-03 |
| CHECKED BY KSAMIEC | DATE 12-12-03 |
| APPROVED BY MARGULIS | DATE 12-16-03 |
| MATERIAL NO. SEE CHART | |
| SIZE A | THIS DRAWING CONTAINS INFORMATION THAT IS PROPRIETARY TO MOLEX INCORPORATED AND SHOULD NOT BE USED WITHOUT WRITTEN PERMISSION |

| | | |
|----------------------------------------------------------------------------------------|---------------------------|------------------------|
| SCALE 2:1 | DESIGN UNITS INCH | THIRD ANGLE PROJECTION |
| TITLE KK .156 HEADER ASSEMBLY FRICTION LOCK BREAKAWAY RIGHT ANGLE (LEAD-FREE) | | |
| MOLEX MOLEX INCORPORATED | | |
| MATERIAL NO. SEE CHART | DOCUMENT NO. SD-41672-002 | SHEET NO. 1 OF * |

5

4

3

2

1

| | |
|----------------|---------------|
| Header No: | 41186-A-AN |
| Pin No: | 43294-0570 |
| Pin Length L | 1.100 / 27.90 |
| Mating M | .450 / 11.43 |
| Gold: | .270 / 6.86 |
| Bend Height: Y | .213 / 5.41 |
| PC Tail P | .212 / 5.38 |
| Tin: | .200 / 5.08 |
| Pack Per | PK-41672-001 |

| | |
|----------------|--|
| Header No: | |
| Pin No: | |
| Pin Length L | |
| Mating M | |
| Gold: | |
| Bend Height: Y | |
| PC Tail P | |
| Tin: | |
| Pack Per | |

| | |
|----------------|--|
| Header No: | |
| Pin No: | |
| Pin Length L | |
| Mating M | |
| Gold: | |
| Bend Height: Y | |
| PC Tail P | |
| Tin: | |
| Pack Per | |

| | |
|----------------|--|
| Header No: | |
| Pin No: | |
| Pin Length L | |
| Mating M | |
| Gold: | |
| Bend Height: Y | |
| PC Tail P | |
| Tin: | |
| Pack Per | |

| Ckts | Material No | Engineer Number | Material No | Engineer Number | Material No | Engineer Number | Material No | Engineer Number |
|------|-------------|-----------------|-------------|-----------------|-------------|-----------------|-------------|-----------------|
| 2 | | | | | | | | |
| 3 | | | | | | | | |
| 4 | | | | | | | | |
| 5 | | | | | | | | |
| 6 | 50-29-1898 | A-41672-B06A228 | | | | | | |
| 7 | | | | | | | | |
| 8 | | | | | | | | |
| 9 | | | | | | | | |
| 10 | | | | | | | | |
| 11 | | | | | | | | |
| 12 | | | | | | | | |
| 13 | | | | | | | | |
| 14 | | | | | | | | |
| 15 | | | | | | | | |
| 16 | | | | | | | | |
| 17 | | | | | | | | |
| 18 | | | | | | | | |
| 19 | | | | | | | | |
| 20 | | | | | | | | |
| 21 | | | | | | | | |
| 22 | | | | | | | | |
| 23 | | | | | | | | |
| 24 | | | | | | | | |

| | | | | |
|--------------------------------------------------|----------------------------------|---------------------------------------------------------------------------------------|--------------------------------------|--------------------------------------|
| A1 | REV: <u>ECR/ECN INFORMATION:</u> | KK 156 HEADER ASSEMBLY FRICTION LOCK BREAKAWAY RIGHT ANGLE (LEAD-FREE) | <u>SHEET No.</u> - 2 - | |
| | EC No.: UCP2006-1776 | | | |
| | DATE: 4/11/2006 | | | |
| <u>DOCUMENT NUMBER:</u> SD- 41672 -002 | | <u>CREATED / REVISED BY:</u> ADERR | <u>CHECKED BY:</u> SSOUSEK | <u>APPROVED BY:</u> FSMITH |