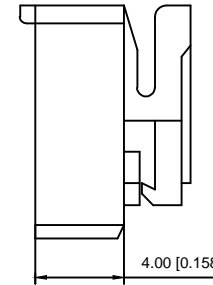
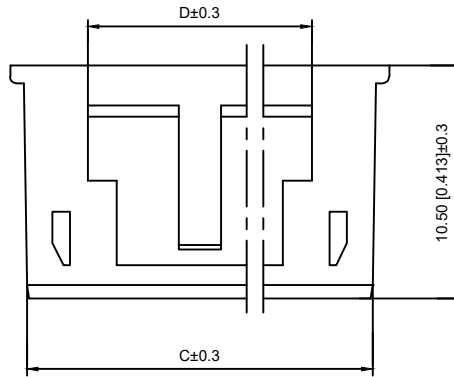
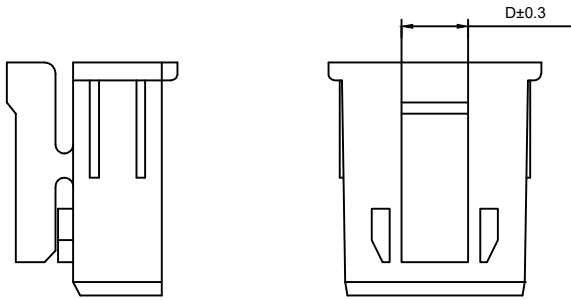


2-3PIN

6PIN以上

■ Specifications:

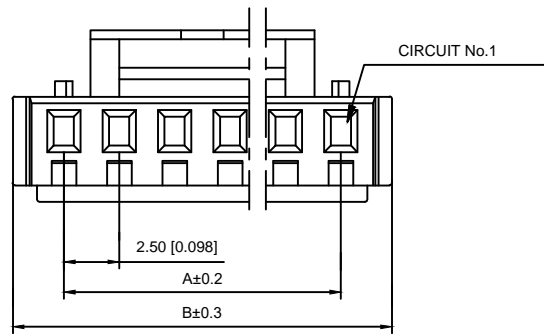
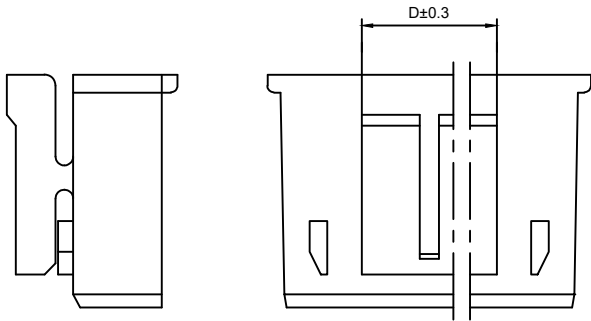
- Voltage rating:250V AC/DC
- Current rating:3A AC/DC
- Withstanding voltage:1000V AC/minute
- Temperature range:-25℃~+85℃
- Insulation resistance:≥1000MΩ
- Contact resistance:≤20mΩ
- After environmental testing:≤20mΩ



X2509 H M - XX -N0

① ②③ ④ ⑤

- ① XKB Series No.
- ② Category:H-HSG
- ③ M-Male
- ④ Row No.-pin No.:XX-02P~15P
- ⑤ Material:N0-PA66 94V-0



Poles	Dimensions(mm)				Poles	Dimensions(mm)			
	A	B	C	D		A	B	C	D
02	2.50	7.00	5.60	3.00	11	25.00	29.50	28.10	15.00
03	5.00	9.50	8.10	3.00	12	27.50	32.00	30.60	16.00
04	7.50	12.00	10.60	5.00	13	30.00	34.50	33.10	17.00
05	10.00	14.50	13.10	6.00	14	32.50	37.00	35.60	18.00
06	12.50	17.00	15.60	10.00	15	35.00	39.50	37.10	19.00
07	15.00	19.50	18.10	11.00					
08	17.50	22.00	20.60	12.00					
09	20.00	24.50	23.10	13.00					
10	22.50	27.00	25.60	14.00					

4-5PIN

X2509HM-XX-N0	PA66 UL 94V-0	X2509TF	X2509W
PART NO	Material	Suitable XKB Terminal	Suitable XKB Terminal

DSND	DATE	SCALE: N/A	MODEL TYPE: X2509HM-XX-N0
DWN	DATE	VIEW:	PART NO.:
CHKD	DATE	UNIT: mm/in	DWG NO.:
APPD	DATE	SIZE: A4	
XKB INDUSTRIAL PRECISION CO.,LIMITED			WEIGHT 1.0g
			SHEET 1/1
			REVISION A0

				XKB	ANGLAR	±5°
ΔX					L ≤ 4	±0.2
ΔX					4 < L ≤ 16	±0.3
ΔX					16 < L ≤ 63	±0.4
MARK					L > 63	±0.5
REVISIONS				UNSPECIFIED TOLERANCES		
www.helloxkb.com						