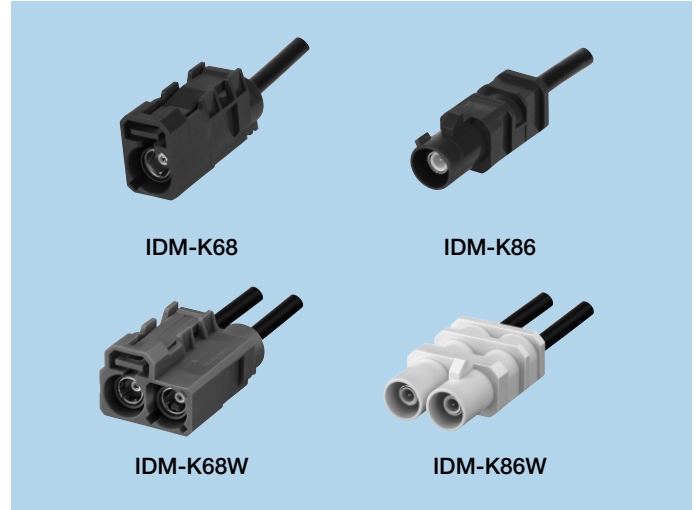


FAKRA Cable Connector

IDM-K68, K86, K68W, K86W

FEATURES

1. Applicable to automotive antennas for radio-frequency signal transmission.
2. Weight saving model with a metal stamping shell.
3. Each coding (mating key) is available.
4. Compliant with RoHS Directive.



HOW TO ORDER

1. IDM-K68

K68 - 001 - A757 -

1 2

1 Series No. (K68)

2 Coding (A~Z)

2. IDM-K86

K86 - 001 - A775 -

1 2

1 Series No. (K86)

2 Coding (A~Z)

3. IDM-K68W

K68W - 002 - B025 -

1 2

1 Series No. (K68W)

2 Coding (A to K, Z)

4. IDM-K86W

K86W - 002 - B025 -

1 2

1 Series No. (K86W)

2 Coding (A to K, Z)

SPECIFICATIONS

ELECTRICAL CHARACTERISTICS

Rated Voltage	60V DC max.
Rated Current	1A DC max.
Characteristic Impedance	50Ω
Insertion Loss	0.15dB max. (0 to 1GHz) 0.25dB max. (1 to 2.5GHz) 0.35dB max. (2.5 to 4GHz)
Return Loss	15.6dB min. (0 to 2GHz) 14.0dB min. (2 to 4GHz)

MECHANICAL CHARACTERISTICS

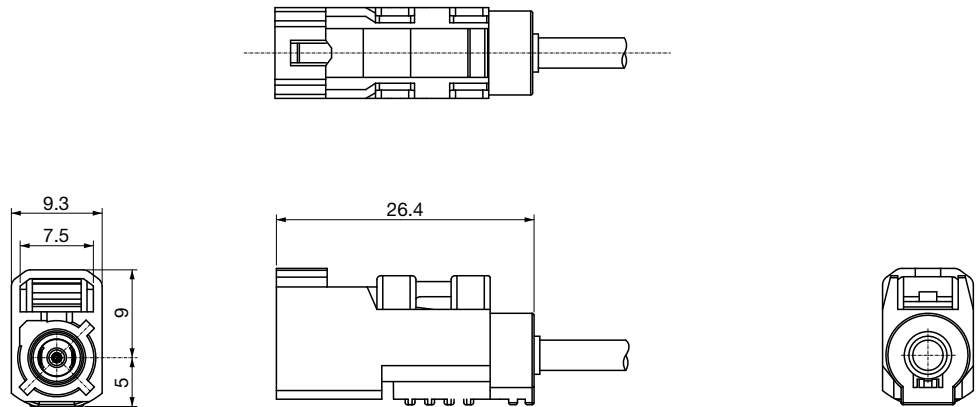
Life (Mating Cycle)	25 times
Total Insertion Force	≤25N (Dual type : ≤50N)
Total Withdrawal Force	≤25N (Dual type : ≤50N)

MATERIAL & FINISH

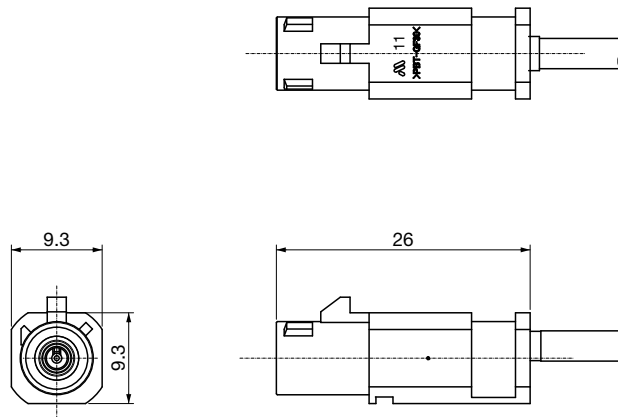
Component Parts		Material	Finish
IDM-K68 Straight Jack	Contact Pin	Copper alloy	Gold plating
	Housing	LCP resin	Natural
	Shell	Copper alloy	Ni plating
	Cover	PA resin	Corresponds to each coding
IDM-K86 Straight Plug	Contact Pin	Copper alloy	Gold plating
	Housing	LCP resin	Natural
	Shell	Copper alloy	Ni plating
	Cover	PBT resin	Corresponds to each coding
IDM-K68W Straight Jack Dual type	Contact Pin	Copper alloy	Gold plating
	Housing	LCP resin	Natural
	Shell	Copper alloy	Ni plating
	Cover	PA resin	Corresponds to each coding
IDM-K86W Straight Plug Dual type	Contact Pin	Copper alloy	Gold plating
	Housing	LCP resin	Natural
	Shell	Copper alloy	Ni plating
	Cover	PBT resin	Corresponds to each coding

DIMENSIONS

IDM-K68

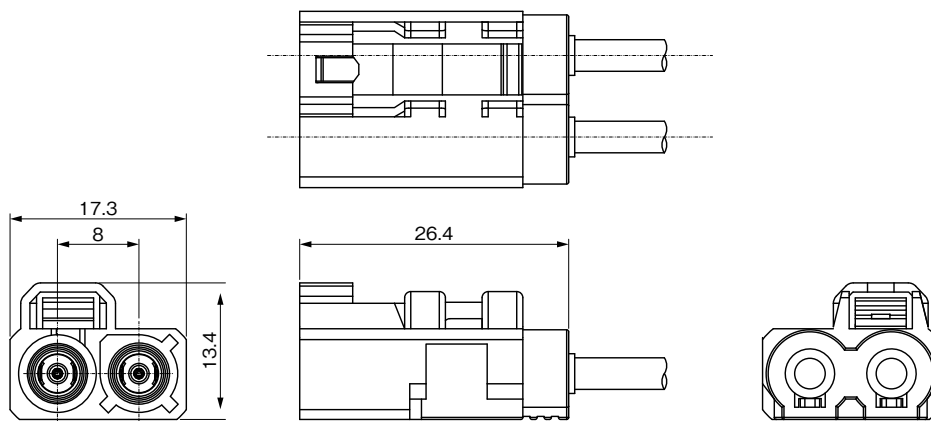


IDM-K86

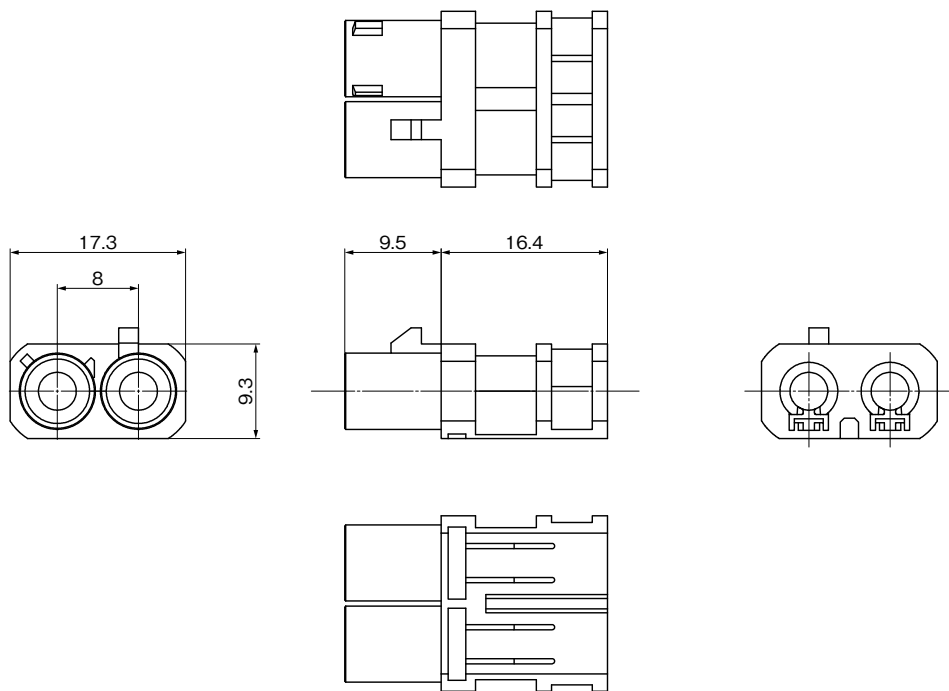


Unit : mm

IDM-K68W



IDM-K86W



Unit : mm