

NOTES:

1. ALL DIMENSIONS ARE IN INCHES
[MILLIMETERS]

2. DIMENSIONS APPEARING IN TABLE ARE AS FOLLOWS:

- a - AS SUPPLIED
- b - AFTER UNRESTRICTED RECOVERY

3. COATING (ADHESIVE) IS OPTIONAL. AS SUPPLIED DIMENSIONS APPEARING IN TABLE ARE FOR UNCOATED PARTS. WHEN COATING IS ADDED, ENTRY DIAMETER WILL BE REDUCED BY .06 [1.5] MAX. COATING DIMENSIONS CH & CJ WILL BE .50 [12.7] MIN AND CK WILL BE .12 [3.0] MIN.

4. MOLDING PORTS ARE OPTIONAL. WHEN -00 MODIFICATION NUMBER IS SPECIFIED, MOLDING PORTS WILL BE LOCATED AS SHOWN.

5. ORDERING INFORMATION

BASE PART NUMBER 342A0XX -XX -XX /XXX /0

MATERIAL DASH NUMBER _____

-3 POLYOLEFIN, SEMI RIGID (RT-301)

-4 POLYOLEFIN, FLEXIBLE (RT-1304)

-5 ELASTOMER, FLEXIBLE (RT-501)

-6 SILICONE (RT-602)

-12 FLUORO ELASTOMER, FLEXIBLE (RT-1312)

-25 ELASTOMER, FLUID RESISTANT (RW-2070)

-100 POLYOLEFIN, SEMI-FLEXIBLE ZEROHAL (RW-2082)

MODIFICATION NUMBER _____

ADHESIVE SLASH NUMBER _____
SEE COMPATIBILITY CHART BELOW

COLOR DESIGNATOR _____

| REVISIONS | | |
|-----------|---------------------------|---------|
| LTR | DESCRIPTION | DATE |
| M1 | REVISED PER ECO-11-005139 | 29MAR11 |

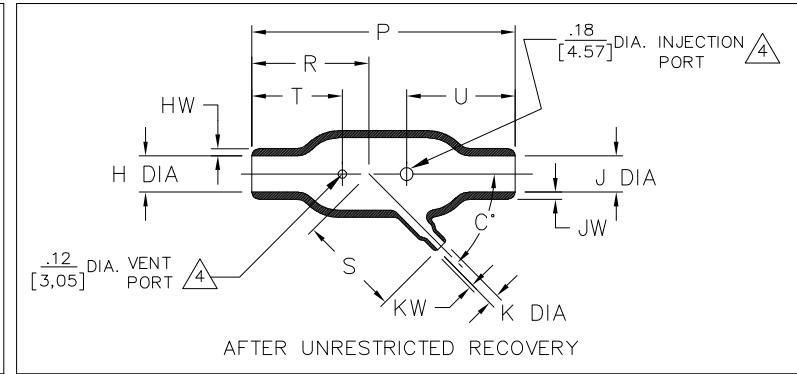
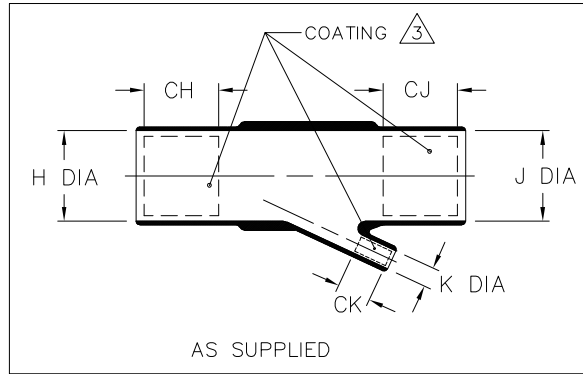


TABLE OF DIMENSIONS

| PART DESCRIPTION | H & J | | K | | P ±10% | R ±10% | S ±10% | T ±10% | U ±10% | HW & JW ±20% | KW ±20% | C* ±5° | WEIGHT REF |
|------------------|----------------|----------------|----------------|---------------|-----------------|----------------|----------------|----------------|----------------|-----------------|---------------|-----------|------------------|
| | MIN | MAX | MIN | MAX | | | | | | | | | |
| | a | b | a | b | | | | | | | | | |
| 342A012 | .52 [13,2] | .27 [6,9] | .26 [6,6] | .14 [3,6] | 1.94 [49,3] | .90 [22,9] | .92 [23,4] | .77 [19,6] | .77 [19,6] | .06 [1,52] | .04 [1,02] | 45° | .006 [2,72] |
| 342A024 | 1.06 [26,9] | .50 [12,7] | .26 [6,6] | .14 [3,6] | 3.64 [92,5] | 1.62 [41,1] | 1.41 [35,8] | 1.25 [31,8] | 1.56 [39,6] | .10 [2,54] | .04 [1,02] | 45° | .036 [16,33] |
| 342A034 | 1.06 [26,9] | .54 [13,7] | .52 [13,2] | .24 [6,1] | 5.70 [144,8] | 2.75 [69,9] | 2.11 [53,6] | 2.00 [50,8] | 2.00 [50,8] | .10 [2,54] | .06 [1,52] | 45° | .055 [24,95] |
| 342A048 | 2.19 [55,6] | 1.06 [26,9] | .52 [13,2] | .27 [6,9] | 7.28 [184,9] | 3.28 [83,3] | 2.83 [71,9] | 2.50 [63,5] | 2.50 [63,5] | .18 [4,57] | .06 [1,52] | 45° | .274 [124,28] |
| 342A058 | 2.19 [55,6] | 1.06 [26,9] | 1.06 [26,9] | .54 [13,7] | 8.01 [203,5] | 3.76 [95,5] | 3.66 [93,0] | 2.60 [66,0] | 2.60 [66,0] | .18 [4,57] | .10 [2,54] | 45° | .328 [148,78] |

COMPATIBILITY CHART

| MATERIAL DASH NO. | ADHESIVE (COATING) SLASH NUMBER | ADHESIVE (COATING) S NUMBER |
|-------------------|---------------------------------|-----------------------------|
| -3 | /42; /86; /180 | S-1017; S-1048; S-1030 |
| -4 | /42; /86; | S-1017; S-1048; |
| -5 | /42; | S-1017; |
| -6 | N/A | N/A |
| -12 | N/A | N/A |
| -25 | /42; /86; /225 | S-1017; S-1048; S-1206 |
| -100 | /86; /180 | S-1048; S-1030 |

IF THIS DOCUMENT IS PRINTED IT BECOMES UNCONTROLLED.
CHECK FOR THE LATEST REVISION.

CUSTOMER DRAWING

UNLESS OTHERWISE SPECIFIED DIMENSIONS ARE INCHES. METRIC DIMENSIONS ARE IN BRACKETS.

DECIMAL TOLERANCES
 .xxx ± 0.005 [0.13 mm]
 .xx ± 0.01 [0.25 mm]
 .x ± 0.1 [0.50 mm]

ANGLE TOLERANCE
 .x ± 1 DEG.

TE CONNECTIVITY RESERVES THE RIGHT TO AMEND THIS DRAWING AT ANY TIME. USERS SHOULD EVALUATE THE SUITABILITY OF THE PRODUCT FOR THEIR APPLICATION.

© 2002, 2011 Tyco Electronics Corporation, a TE connectivity Ltd. company. All rights reserved.

DO NOT SCALE THIS DRAWING

SHEET 1 OF 1

DRAWN: UNGUYEN

APPROVED: DHURRELL

THIRD ANGLE PROJECTION

TE Connectivity

Raychem Molded Parts
305 Constitution Dr
Menlo Park, CA 94025

TITLE: TRANSITION, 45DEG

SIZE: B

CODE IDENT. NO.: 06090

DWG. NO.: 342A012thru058