

PLEASE CHECK WWW.MOLEX.COM FOR LATEST PART INFORMATION

Part Number: [0357607100](#)
Status: **Active**
Description: Wire Splice, 16-20 AWG, Un-Plated

Documents:

[Packaging Specification \(PDF\)](#) [Product Specification PS-35760-003 \(PDF\)](#)
[Drawing \(PDF\)](#) [RoHS Certificate of Compliance \(PDF\)](#)

General

Product Family	Splices
Series	35760
Crimp Quality Equipment	Yes
Mil-Spec	N/A
Product Name	N/A

Physical

Barrel Type	Open
Insulation	None
Material - Metal	Brass
Packaging Type	Reel
Temperature Range - Operating	-30°C to +105°C
Wire Insulation Diameter	3.5mm (.138")
Wire Size AWG	16, 18, 20
Wire Size mm ²	0.50 - 1.50

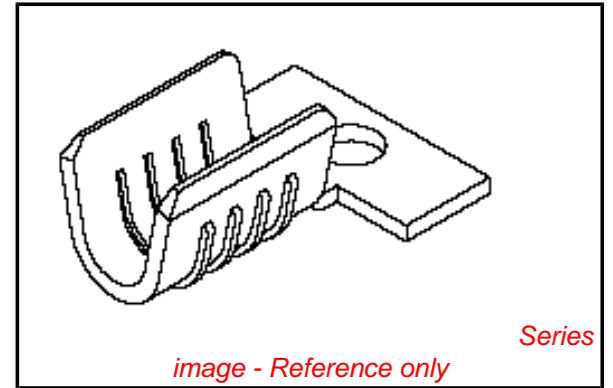
Electrical

Voltage - Maximum	200V AC (RMS)/DC
-------------------	------------------

Material Info

Reference - Drawing Numbers

Product Specification	PS-35760-003
Sales Drawing	SD-35760-002, SD-35760-7**0



EU RoHS

**ELV and RoHS
Compliant**
**REACH SVHC
Contains SVHC: No
Halogen-Free
Status**

China RoHS

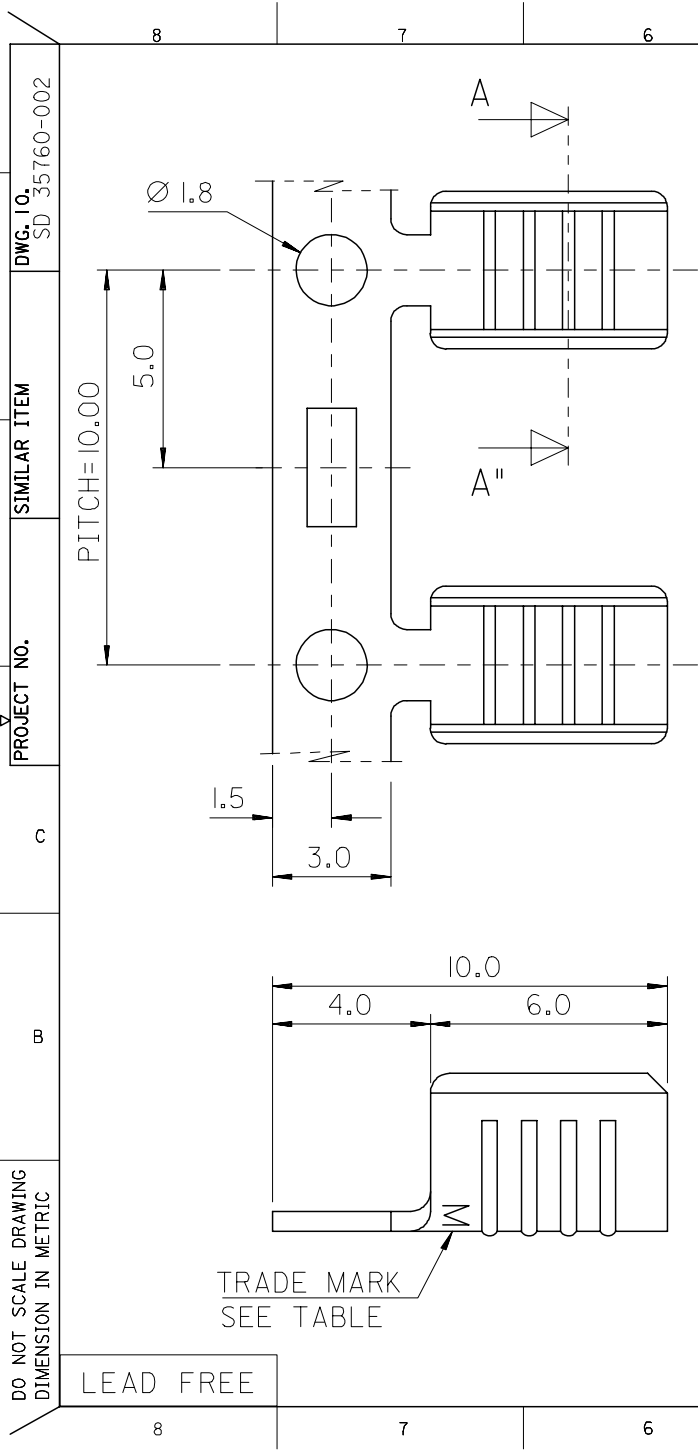


**Need more information on product
environmental compliance?**

Email productcompliance@molex.com
 For a multiple part number RoHS Certificate of
 Compliance, [click here](#)

Please visit the [Contact Us](#) section for any
 non-product compliance questions.

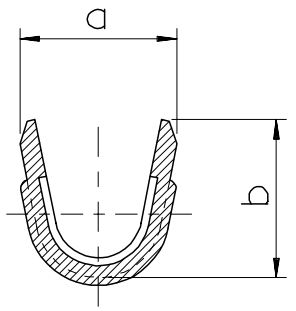
Search Parts in this Series
[35760Series](#)



NOTES

- 1. MATERIAL : BRASS , 0.5mm THICKNESS
- 2. PART NO.

PART NO.	a	b	FINISH	△B	△B
				WIRE RANGE	QUANTITY
35760-7100	3.3	3.3	UNPLATED	0.5~1.5mm ²	6,000/REEL
35760-7110			POST PLATED TIN		
35760-7140			TIN-LEAD		
LEAD FREE 35760-7160	4.2	4.2	POST PLATED TIN	1.5~2.5mm ²	5,000/REEL
35760-7200			UNPLATED		
35760-7210			POST PLATED TIN		
35760-7240			TIN-LEAD		
LEAD FREE 35760-7260			POST PLATED TIN		

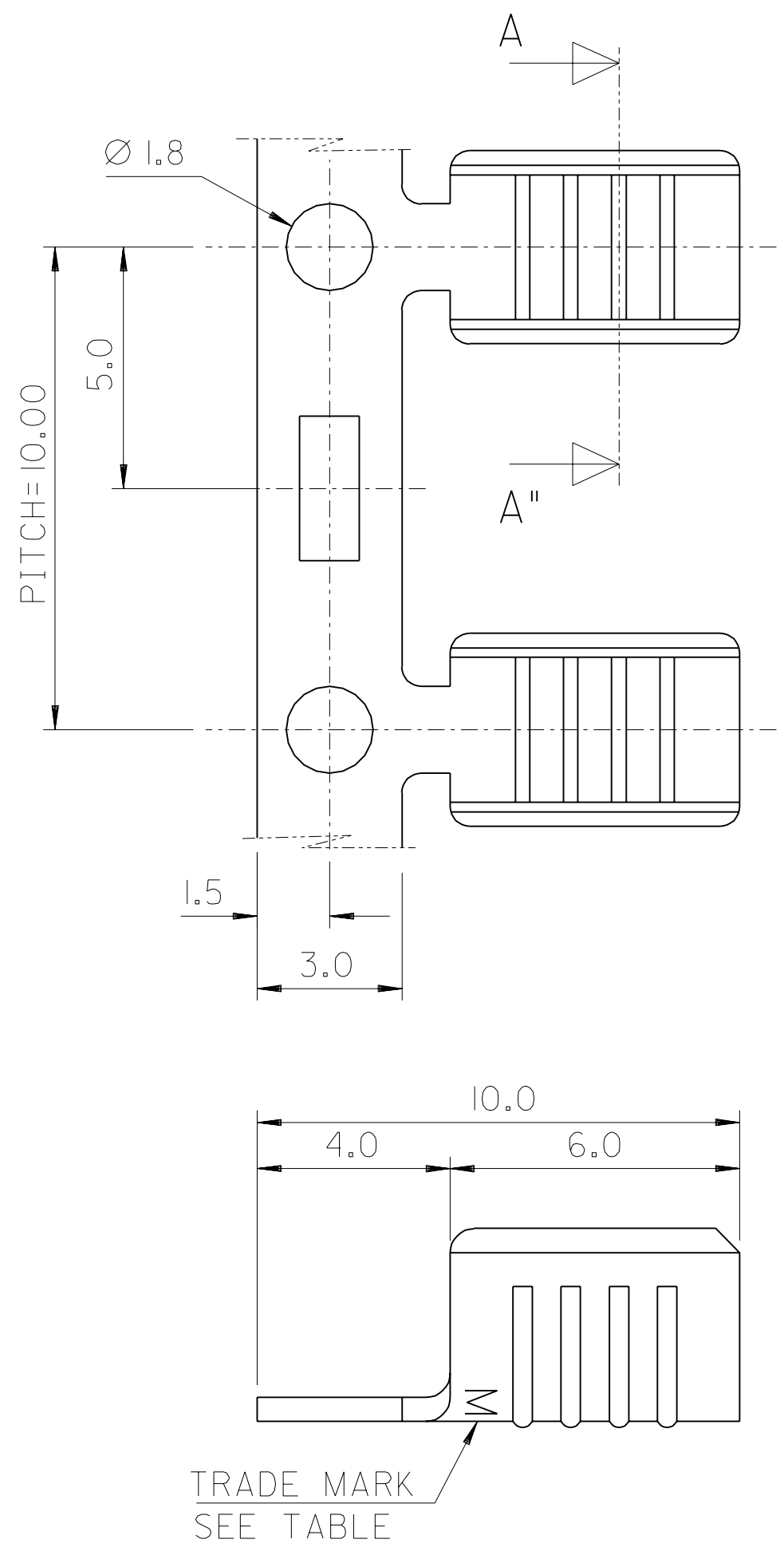


ADDITION OF OPTION EC NO. KOR2006-0064 DRWN: SY.PARK 05/12/16 CHK: BC.YOON 05/12/16 APPR: SH.CHOI 05/12/16	QUALITY SYMBOLS MAJOR = 0 CRITICAL C = 0	GENERAL TOLERANCES: (UNLESS SPECIFIED)		SCALE 8:1	DESIGN UNITS <input checked="" type="checkbox"/> mm <input type="checkbox"/> INCH	THIRD ANGLE PROJECTION <input checked="" type="checkbox"/> mm <input type="checkbox"/> INCH	DIMENSIONS: <input type="checkbox"/> mm <input type="checkbox"/> INCH <input type="checkbox"/> mm <input type="checkbox"/> INCH	SHT	REV
		4 PLACES	±0.	±.	DRAWN BY & DATE J.S.KANG 93/10/07	TITLE: WIRE SPLICE (S),(SM)			
		3 PLACES	±0.	±.	CHECKED BY & DATE B.K.CHOI 93/10/07				
		2 PLACES	±0.20	±.	APPROVED BY & DATE C.W.LEE 93/10/07	MOLEX INCORPORATED KOREA			
1 PLACE	±0.30	±.	ANGULAR: ± °	CAD FILENAME S7607100.DGN	MATERIAL NO. SEE TABLE	DRAWING NO. SD-35760-002	SHEET NO. 10F1		
REV	DESCRIPTION	DRAFT WHERE APPLICABLE MUST REMAIN WITHIN DIMENSIONS			THIS DRAWING CONTAINS INFORMATION THAT IS PROPRIETARY TO MOLEX INCORPORATED AND SHOULD NOT BE USED WITHOUT WRITTEN PERMISSION.				

DO NOT SCALE DRAWING
DIMENSION IN METRIC

LEAD FREE

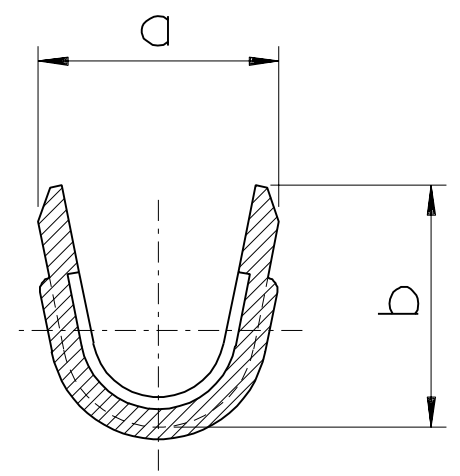
DWG. NO. SD 35760-7**0
 SIMILAR ITEM
 PROJECT NO.
 DO NOT SCALE DRAWING DIMENSION IN METRIC



NOTES

1. MATERIAL : BRASS , 0.5mm THICKNESS
2. PART NO.

PART NO.	DIM'S		FINISH	WIRE SIZE	MAT'L THICK'	TRADE MARK
	a	b				
35760-7100	3.3	3.3	UNPLATED	AWG #20-#16	0.5mm	MK2
35760-7110			POST PLATED TIN			
35760-7140			TIN-LEAD			
35760-7200	4.2	4.2	UNPLATED	AWG #16-#12	0.5mm	MK2
35760-7210			POST PLATED TIN			
35760-7240			TIN-LEAD			
35760-7205	4.2	4.2	POST PLATED TIN		0.4mm	MK24



REVISED	EC NO. DRWN: W.Y. YANG 01/11/15 CHK: APPR:	DESCRIPTION	QUALITY SYMBOLS	GENERAL TOLERANCES: (UNLESS SPECIFIED)		SCALE 8:1	DESIGN UNITS <input checked="" type="checkbox"/> mm <input type="checkbox"/> INCH	THIRD ANGLE PROJECTION <input checked="" type="checkbox"/>	DIMENSIONS: <input type="checkbox"/> mm <input type="checkbox"/> INCH <input checked="" type="checkbox"/> mm ONLY	SHT	REV
			MAJOR $\blacktriangledown = 0$ CRITICAL $\blacktriangle = 0$	mm	INCH	DRAWN BY & DATE J.S.KANG 93/10/07		TITLE: WIRE SPLICE (S),(SM)		REVISE ON CAD ONLY	
			4 PLACES $\pm 0.$	$\pm .$		CHECKED BY & DATE B.K.CHOI 93/10/07		MOLEX INCORPORATED KOREA			
			3 PLACES $\pm 0.$	$\pm .$		APPROVED BY & DATE C.W.LEE 93/10/07					
			2 PLACES ± 0.20	$\pm .$		CAD FILENAME S7607100.DGN	MATERIAL NO. SEE TABLE	DRAWING NO. SD-35760-7**0	SHEET NO. 10F1	THIS DRAWING CONTAINS INFORMATION THAT IS PROPRIETARY TO MOLEX INCORPORATED AND SHOULD NOT BE USED WITHOUT WRITTEN PERMISSION.	
			1 PLACE ± 0.30	$\pm .$	ANGULAR: \pm °	DRAFT WHERE APPLICABLE MUST REMAIN WITHIN DIMENSIONS		SIZE B		MX-A3	