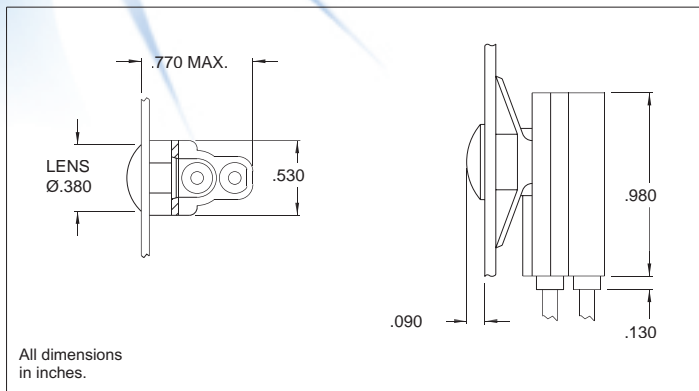


4700A and 4702A Series Non-Relampable Neon Indicator Light

DESCRIPTION AND FEATURES



Mounting: Ø.312/.317 in panels
 .020/.125 thick.

Wire Leads: No.22 AWG (105°C),
 4.40/4.80 long, stripped .430/.570

Lens: Polycarbonate

Housing: White nylon

Lens Color	Neon
	Model No. (105-125VAC)
Red	4700A1
Amber	4700A3
White	4700A4
Green	4702A5*
Lamp used	C2A+Resistor
Lamp color	Black

*Incorporates G2B lamp and resistor
 Underwriters Laboratories (UL) File No. E20325
 Canadian Standards Association (CSA) File No. LR13346