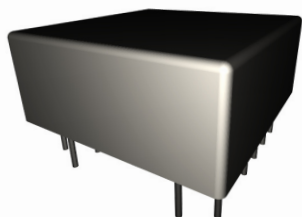


# 40D/42D-4A Series

## Multiplexer



### PRODUCT DESCRIPTIONS

The 40D-4A/42D-4A Series has individual coils for each contact, and is in the arrangements of 1-4 and 4-4 outputs. The main features of this series are a coaxial shield covering the high frequency range up to 2.5GHz and a magnetic shield enabling high-density mounting. These features make this series ideal for cost sensitive DRAM device test and VXI/PXI.

### SPECIFICATIONS



40D/42D-4A Series		40D-4A□2N1		42D-4A□2N1		Multiplexer
Parameters	Units	4 Form A (1-4,4Drives)		4 Form A (4-4,4Drives)		Test Conditions
<b>Coil Specifications</b>						
Nominal Coil Voltage	VDC	5.0	12.0	5.0	12.0	
Coil Resistance	Ω	120	600	120	600	±10% @ 20°C
Operate Voltage	VDC Max	2.8	9.6	2.8	9.6	15°C to 35°C
Release Voltage	VDC Min	0.7	1.2	0.7	1.2	15°C to 35°C
<b>Contact Ratings</b>						
Switching Voltage	Volts	100		100		Max DC/Peak AC resistance
Switching Current	Amps	0.5		0.5		Max DC/Peak AC resistance
Carry Current	Amps	1.0		1.0		Max DC/Peak AC resistance
Contact Rating	Watts	10		10		Max DC/Peak AC resistance
Life Expectancy	x10 <sup>6</sup> Cycle	1000		1000		@ 1V 10mA
Contact Resistance	mΩ	150		150		Max initial @ operate voltage
Contact Resistance Stability	mΩ	5.0		5.0		Max initial @ operate voltage
<b>Relay Specifications</b>						
Insulation Resistance	Ω Min	10 <sup>11</sup>		10 <sup>11</sup>		Between all isolated pins @ 100V 20°C 40%RH
Dielectric Strength	VDC Min	200		200		Between contacts
	VDC Min	200		200		Contacts to shield
	VDC Min	200		200		Contacts/Shield to coil
Operate Time (Including Bounce)	msec Max	0.35		0.35		@ nominal coil voltage
Release Time	msec Max	0.25		0.25		100Hz square wave Diode suppression
<b>Environmental Ratings</b>						
Measurement Reference Conditions		Storage temp: -40°C to +85°C				
Temp: 15°C to 35°C		Operate temp: -20°C to +60°C				
Humidity: 25% to 75%RH		Vibration: 20G's to 2000Hz				
Atmospheric Pressure: 860 to 1060hpa		Shock: 50G's				

#### Ordering Code:

##### 40D-4A□2N1

□=1 (5.0VDC), 2 (12.0VDC)

##### 42D-4A□2N1

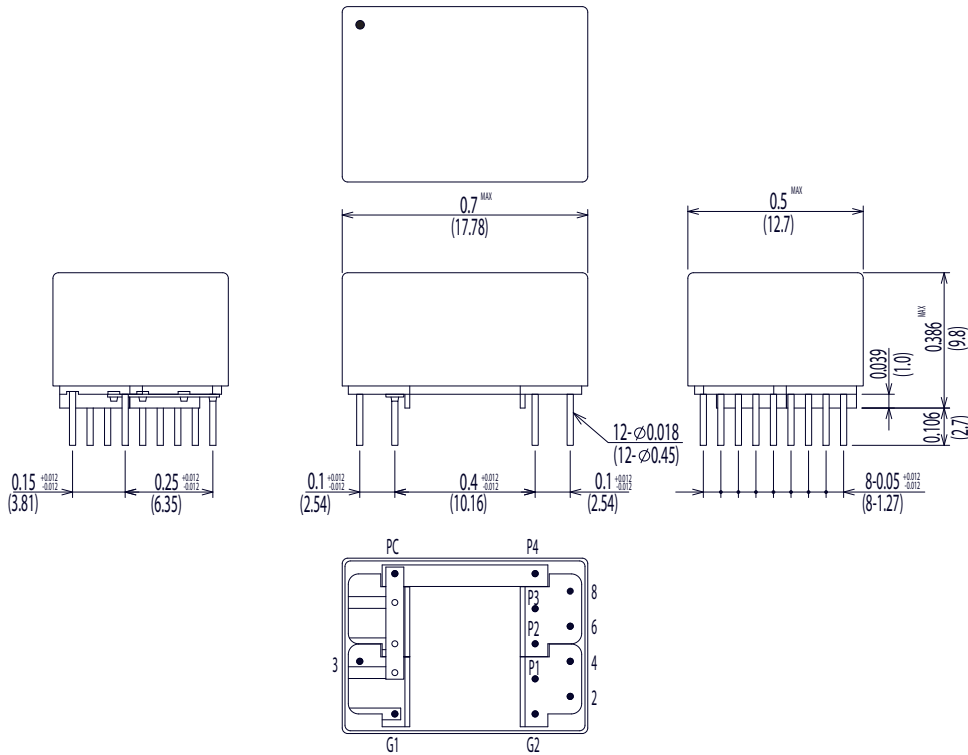
□=1 (5.0VDC), 2 (12.0VDC)

## Dimensions

All Dimensions are inches (mm)

## Schematic <Top View>

### 40D-4A□2N1



### 42D-4A□2N1

