

VFM Step-Up DC/DC Converter

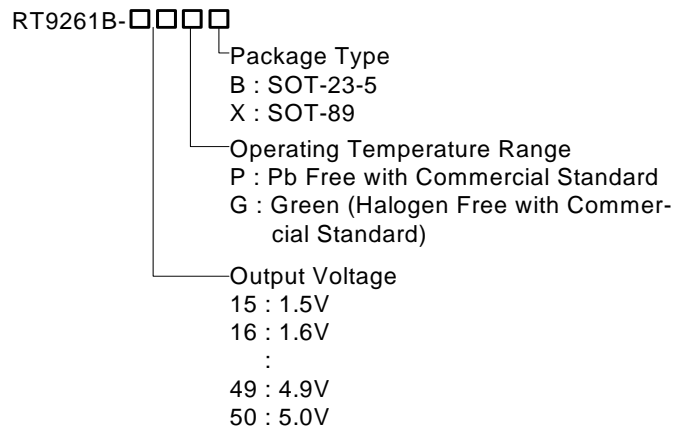
General Description

The RT9261B Series are VFM Step-up DC/DC converter ICs with ultra low supply current by CMOS process and suitable for use with battery-powered instruments.

The RT9261B IC consists of an oscillator, a VFM control circuit, a driver transistor (LX switch), a reference voltage unit, an error amplifier, resistors for voltage detection, and a LX switch protection circuit. A low ripple and high efficiency step-up DC/DC converter can be constructed with the RT9261B IC and only three external components.

The EN pin enables the circuit to set the standby supply current at a maximum of 0.5µA.

Ordering Information



Note :

RichTek Pb-free and Green products are :

- ▶RoHS compliant and compatible with the current requirements of IPC/JEDEC J-STD-020.
- ▶Suitable for use in SnPb or Pb-free soldering processes.
- ▶100% matte tin (Sn) plating.

Marking Information

For marking information, contact our sales representative directly or through a RichTek distributor located in your area, otherwise visit our website for detail.

Features

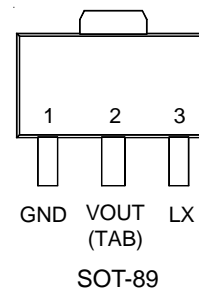
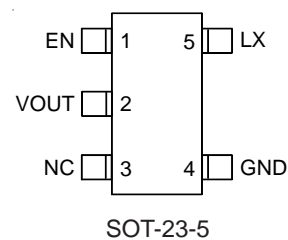
- Minimal Number of External Components (Only an Inductor, a Diode, and a Capacitor)
- Ultra Low Input Current (6.5µA at Switch Off)
- Capable of Supplying 50mA Output Current with Internal Switch
- ± 2% Output Voltage Accuracy
- Low Ripple and Low Noise
- Low Start-up Voltage, 0.8V at 1mA
- 80% Efficiency with Low Cost Inductor
- +50 ppm/°C Low Temperature-Drift
- SOT-89 and SOT-23-5 Small Packages
- RoHS Compliant and 100% Lead (Pb)-Free

Applications

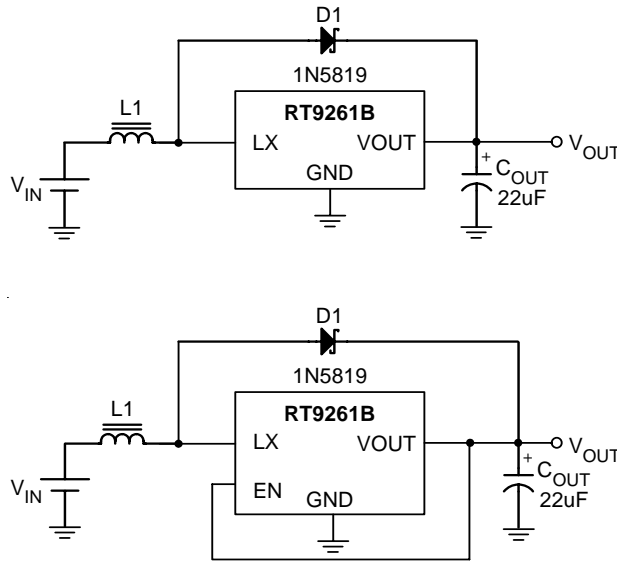
- Power source for battery-powered equipment
- Power source for cameras, camcorders, VCRs, PDAs, pagers, electronic data banks, and hand-held communication equipment
- Power source for appliances, which require higher voltage than that of batteries used in the appliances

Pin Configurations

(TOP VIEW)



Typical Application Circuit

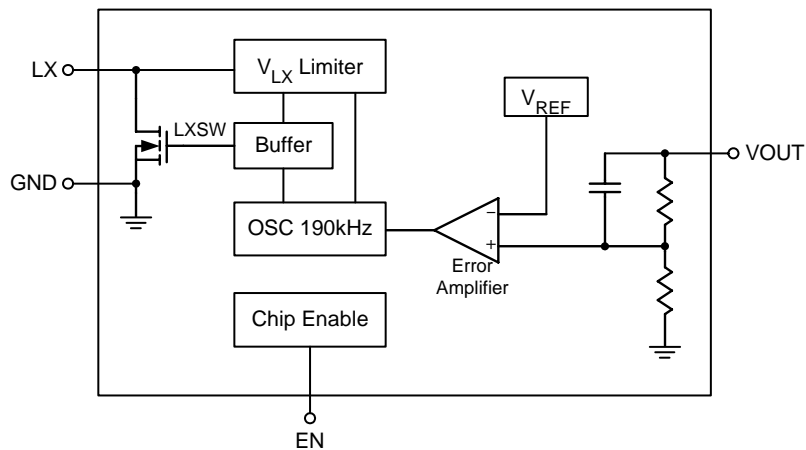


* L1 ranges from 27μH to 120μH

Functional Pin Description

Pin No.		Pin Name	Pin Function
-xxCX	-xxCB		
1	4	GND	Ground
2	2	VOUT	Output Voltage
3	5	LX	Pin for Switching
--	1	EN	Chip Enable (Active High)
--	3	NC	No Connection

Function Block Diagram



Absolute Maximum Ratings

- Output Voltage ----- 8V
- LX Pin Voltage ----- 8V
- EN Pin Voltage⁽¹⁾ ----- -0.3 to V_{OUT} +0.3V
- LX Pin Output Current ----- 400mA
- Power Dissipation, P_D @ T_A = 25°C
 - SOT-89 ----- 0.5W
 - SOT-23-5 ----- 0.25W
- Package Thermal Resistance
 - SOT-89, θ_{JC} ----- 100°C/W
 - SOT-89, θ_{JA} ----- 300°C/W
 - SOT-23-5, θ_{JA} ----- 250°C/W
- Operating Temperature Range ----- -20 to +85°C
- Storage Temperature Range ----- -65°C to 150°C
- Lead Temperature (Soldering, 10 sec.) ----- 260°C

Notes: (1) Applicable to RT9261B-xxCB

Electrical Characteristics (Refer to Figure 1)

Parameter		Symbol	Test Conditions	Min	Typ	Max	Units
Output Voltage Accuracy		ΔV _{OUT}		-2	--	+2	%
Input Voltage		V _{IN}		--	--	7	V
Start-up Voltage		V _{ST}	I _{OUT} = 1mA, V _{IN} : 0 → 2V	--	0.8	1	V
Hold-on Voltage		V _{HO}	I _{OUT} = 1mA, V _{IN} : 2 → 0V	0.7	--	--	V
Input Current 1	V _{OUT} ≤ 3.5V ⁽¹⁾		To be measured at V _{IN} in continuous switching	--	24	36	μA
	3.5V < V _{OUT} ≤ 5V ⁽²⁾			--	36	45	
Input Current 2 ^{(1) (2)}			To be measured at V _{OUT} in switch off condition	--	6.5	10	μA
Input Current 3	V _{OUT} ≤ 3.5V ⁽¹⁾		To be measured at V _{IN} in no load (guaranteed by I ₁ and I ₂)	--	18	36	μA
	3.5V < V _{OUT} ≤ 5V ⁽²⁾			--	20	45	
LX Switching Current	V _{OUT} ≤ 3.5V ⁽¹⁾	I _{SWITCHING}	V _{LX} = 0.4V	120	--	--	mA
	3.5V < V _{OUT} ≤ 5V ⁽²⁾			160	--	--	
LX Leakage Current		I _{LEAKAGE}	V _{LX} = 6V	--	--	0.5	μA
Maximum Oscillator Frequency		F _{MAX}	V _{OUT} = 2.5V to 5V	140	190	240	kHz
			V _{OUT} = 1.5V to 2.4V	140	190	320	
Oscillator Duty Cycle		D _{OSC}	On (V _{LX} "L" side)	65	75	85	%
Efficiency				--	80	--	%
V _{LX} Voltage Limit			LX switch on	0.65	0.8	1.0	V

Notes:

(1) V_{IN} = 1.8V, V_{SS} = 0V, I_{OUT} = 1mA, T_{opt} = 25°C, and use External Circuit of Typical Application

(2) V_{IN} = 3V, V_{SS} = 0V, I_{OUT} = 1mA, T_{opt} = 25°C, and External Circuit of Typical Application

Electrical Characteristics (Refer to Figure 2)

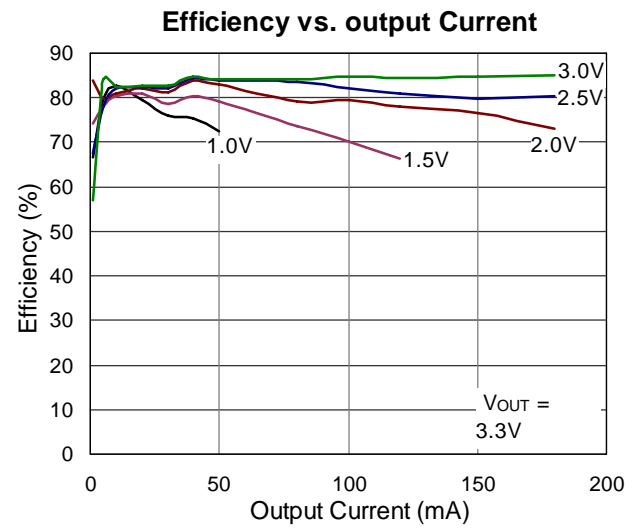
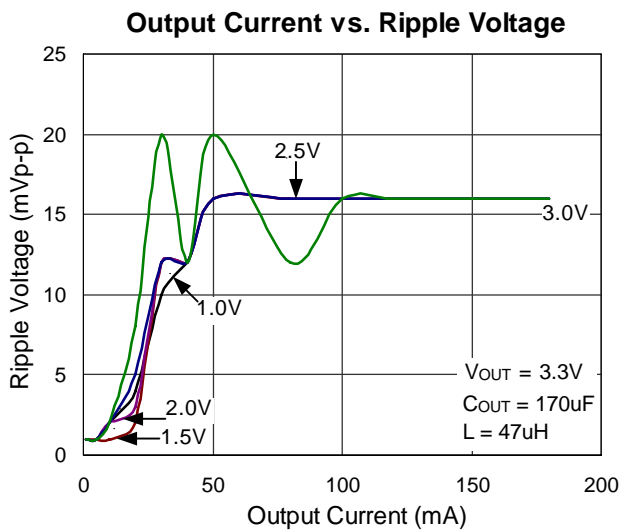
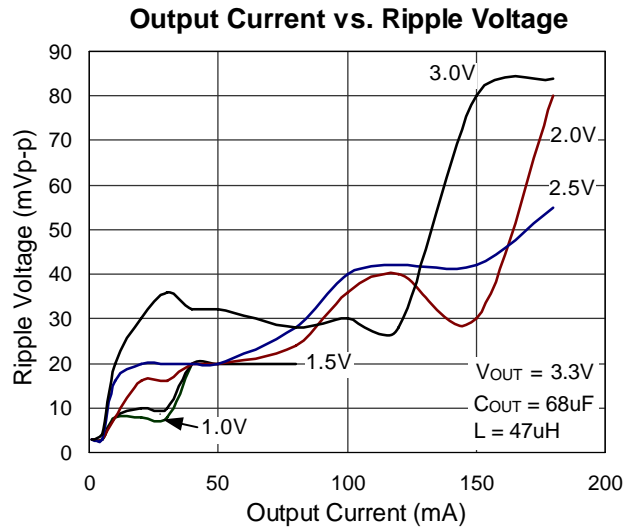
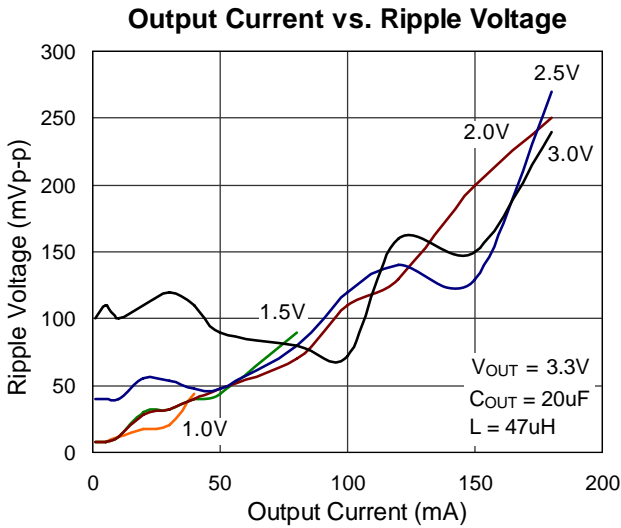
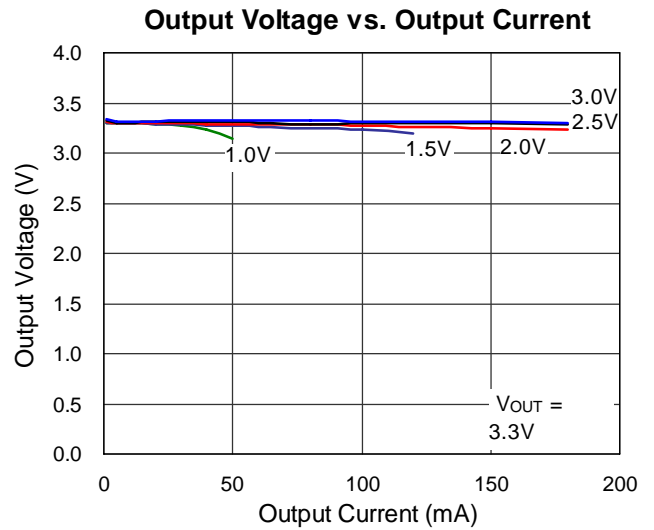
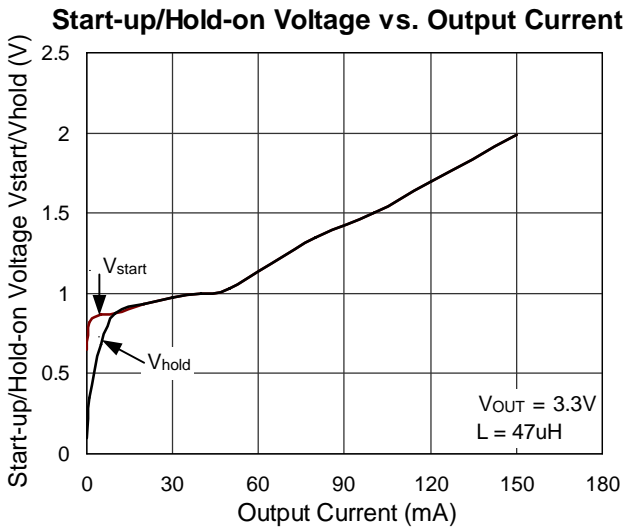
Parameter		Symbol	Test Conditions	Min	Typ	Max	Units
Output Voltage Accuracy		ΔV_{OUT}		-2	--	+2	%
Input Voltage		V_{IN}		--	--	7	V
Start-up Voltage		V_{ST}	$I_{OUT} = 1mA, V_{IN}: 0 \rightarrow 2V$	--	0.8	1	V
Hold-on Voltage		V_{HO}	$I_{OUT} = 1mA, V_{IN}: 2 \rightarrow 0V$	0.7	--	--	V
Efficiency				--	80	--	%
Input Current 1	$V_{OUT} \leq 3.5V^{(1)}$		To be measured at V_{IN} in continuous switching	--	24	36	μA
	$3.5V < V_{OUT} \leq 5V^{(2)}$			--	36	45	
Input Current 2 ^{(1) (2)}			To be measured at V_{OUT} in switch off condition	--	6.5	10	μA
Input Current 3	$V_{OUT} \leq 3.5V^{(1)}$		To be measured at V_{IN} in no load (guaranteed by I_1 and I_2)	--	18	36	μA
	$3.5V < V_{OUT} \leq 5V^{(2)}$			--	20	45	
LX Switching Current	$V_{OUT} \leq 3.5V^{(1)}$	$I_{SWITCHING}$	$V_{LX} = 0.4V$	120	--	--	mA
	$3.5V < V_{OUT} \leq 5V^{(2)}$			160	--	--	
LX Leakage Current		$I_{LEAKAGE}$	$V_{LX} = 6V$	--	--	0.5	μA
EN "H" Level			$V_{IN} = V_{OUT} * 0.9$	$0.4 \times V_{OUT}$	--	--	V
EN "L" Level			$V_{IN} = V_{OUT} * 0.9$	--	--	0.2	V
EN "H" Input Current			$EN = V_{OUT}$	--	--	0.5	μA
EN "L" Input Current			$EN = 0V$	-0.5	--	--	μA
Maximum Oscillator Frequency		F_{MAX}	$V_{OUT} = 2.5V$ to $5V$	140	190	240	kHz
			$V_{OUT} = 1.5V$ to $2.4V$	140	190	320	
Oscillator Duty Cycle		D_{OSC}	On (V_{LX} "L") side	65	75	85	%
V_{LX} Voltage Limit			LX switch on	0.65	0.8	1.0	V

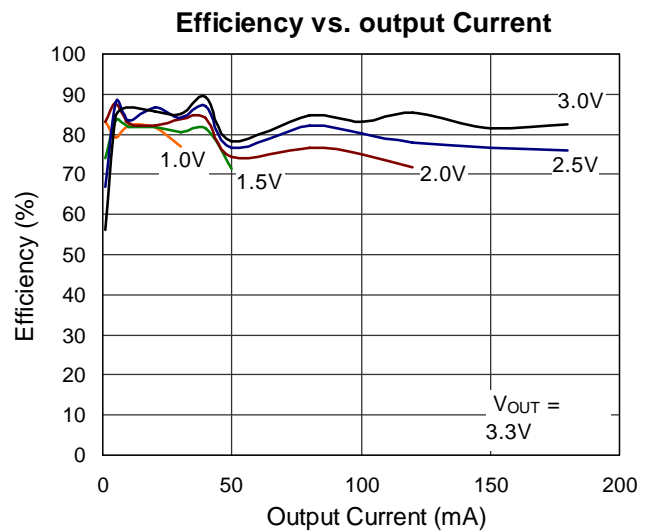
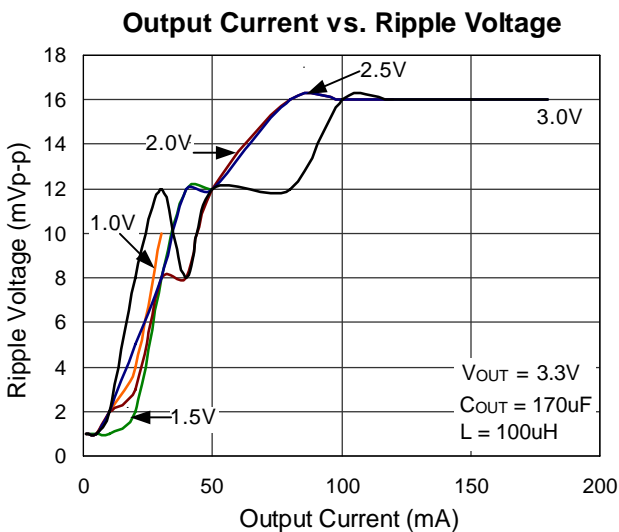
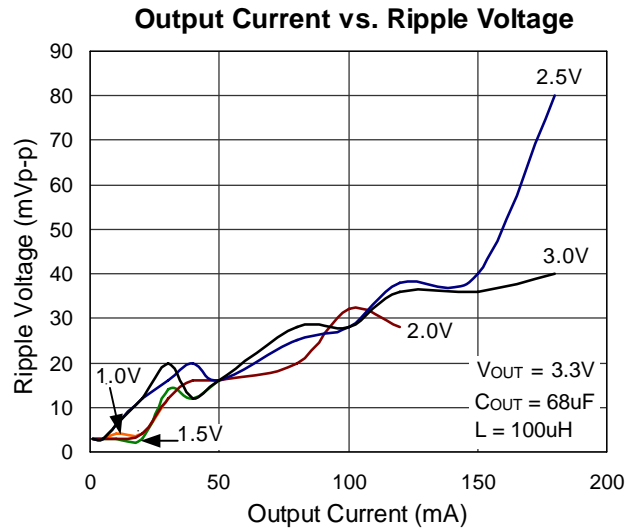
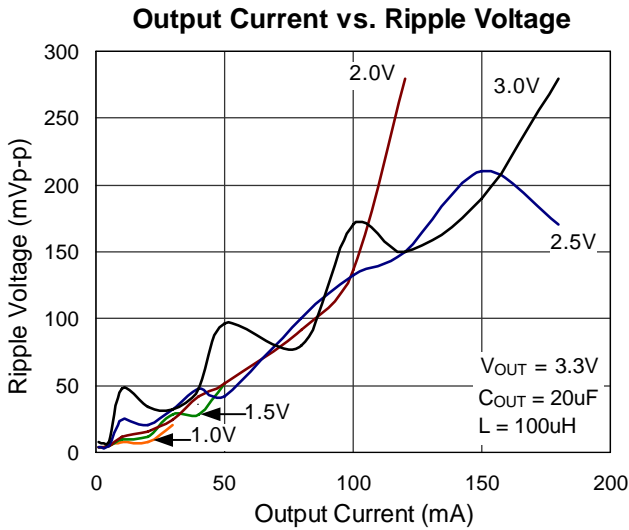
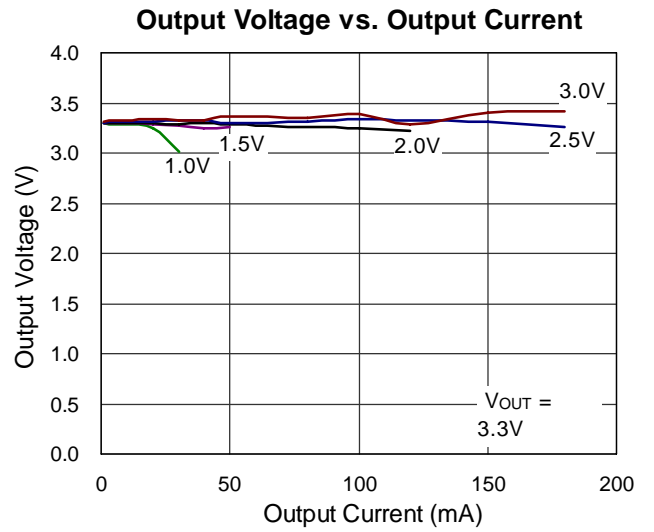
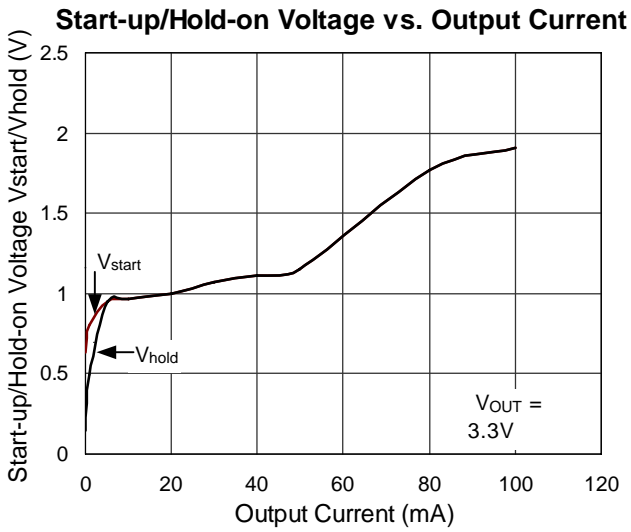
Notes:

(1) $V_{IN} = 1.8V, V_{SS} = 0V, I_{OUT} = 1mA, T_{opt} = 25^\circ C$, and use External Circuit of Typical Application

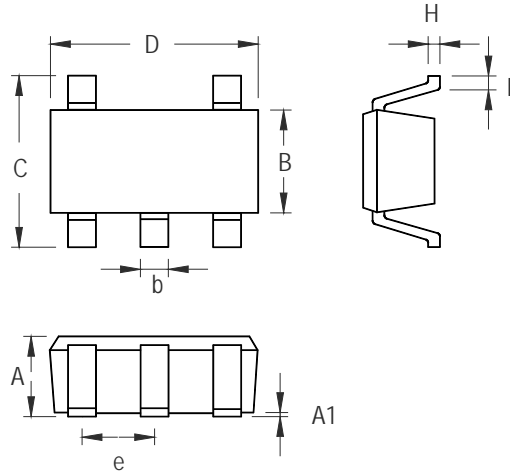
(2) $V_{IN} = 3V, V_{SS} = 0V, I_{OUT} = 1mA, T_{opt} = 25^\circ C$, and External Circuit of Typical Application

Typical Operating Characteristics



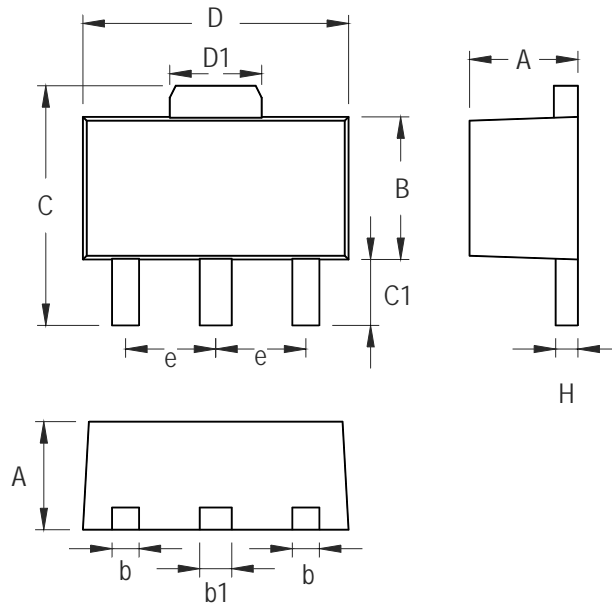


Outline Dimension



Symbol	Dimensions In Millimeters		Dimensions In Inches	
	Min	Max	Min	Max
A	0.889	1.295	0.035	0.051
A1	0.000	0.152	0.000	0.006
B	1.397	1.803	0.055	0.071
b	0.356	0.559	0.014	0.022
C	2.591	2.997	0.102	0.118
D	2.692	3.099	0.106	0.122
e	0.838	1.041	0.033	0.041
H	0.080	0.254	0.003	0.010
L	0.300	0.610	0.012	0.024

SOT-23-5 Surface Mount Package



Symbol	Dimensions In Millimeters		Dimensions In Inches	
	Min	Max	Min	Max
A	1.397	1.600	0.055	0.063
b	0.356	0.483	0.014	0.019
B	2.388	2.591	0.094	0.102
b1	0.406	0.533	0.016	0.021
C	3.937	4.242	0.155	0.167
C1	0.787	1.194	0.031	0.047
D	4.394	4.597	0.173	0.181
D1	1.397	1.753	0.055	0.069
e	1.448	1.549	0.057	0.061
H	0.356	0.432	0.014	0.017

3-Lead SOT-89 Surface Mount

Richtek Technology Corporation

Headquarter
 5F, No. 20, Taiyuen Street, Chupei City
 Hsinchu, Taiwan, R.O.C.
 Tel: (8863)5526789 Fax: (8863)5526611

Richtek Technology Corporation

Taipei Office (Marketing)
 8F, No. 137, Lane 235, Paochiao Road, Hsintien City
 Taipei County, Taiwan, R.O.C.
 Tel: (8862)89191466 Fax: (8862)89191465
 Email: marketing@richtek.com