

**PLEASE CHECK WWW.MOLEX.COM FOR LATEST PART INFORMATION**

**Part Number:** [5016350510](#)  
**Status:** **Active**  
**Description:** 0.40mm (.016") Pitch SlimStack™ Board-to-Board Receptacle, SMT, Dual Row, Vertical Stacking, 1.70mm (.037") Stacking Height, With Solder Tabs, 50 Circuits

**Documents:**

[3D Model](#) [Product Specification PS-501635-001 \(PDF\)](#)  
[Drawing \(PDF\)](#) [RoHS Certificate of Compliance \(PDF\)](#)

**General**

Product Family	PCB Receptacles
Series	<a href="#">501635</a>
Application	Board-to-Board
Product Name	SlimStack™

**Physical**

Circuits (Loaded)	30
Color - Resin	Black
Durability (mating cycles max)	30
Glow-Wire Compliant	No
Lock to Mating Part	Yes
Mated Height (in)	0.067 In
Mated Height (mm)	1.70 mm
Material - Metal	Copper Alloy, Phosphor Bronze
Material - Plating Mating	Gold
Material - Plating Termination	Gold
Number of Rows	2
Orientation	Vertical
PCB Retention	Yes
Packaging Type	Embossed Tape on Reel
Pitch - Mating Interface (in)	0.016 In
Pitch - Mating Interface (mm)	0.40 mm
Pitch - Term. Interface (in)	0.016 In
Pitch - Term. Interface (mm)	0.40 mm
Polarized to Mating Part	No
Polarized to PCB	No
Stackable	No
Temperature Range - Operating	-25°C to +85°C
Termination Interface: Style	Surface Mount

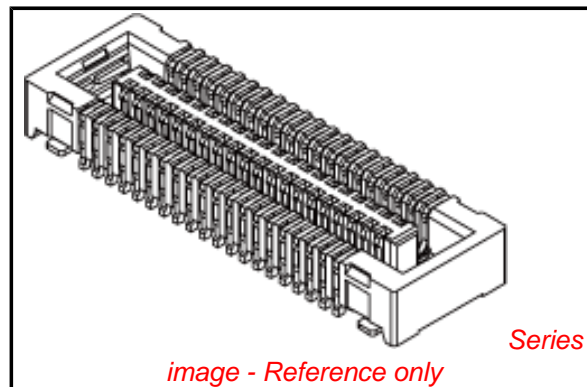
**Electrical**

Current - Maximum per Contact	0.3A
Voltage - Maximum	50V AC (RMS)/DC

**Material Info**

**Reference - Drawing Numbers**

Product Specification	PS-501635-001
Sales Drawing	SD-501635-001, SD-501635-002



**EU RoHS**

**ELV and RoHS  
Compliant**  
**REACH SVHC  
Contains SVHC: No**  
**Halogen-Free**  
**Status  
Not Reviewed**

**China RoHS**



**Need more information on product  
environmental compliance?**

Email [productcompliance@molex.com](mailto:productcompliance@molex.com)  
 For a multiple part number RoHS Certificate of Compliance, [click here](#)

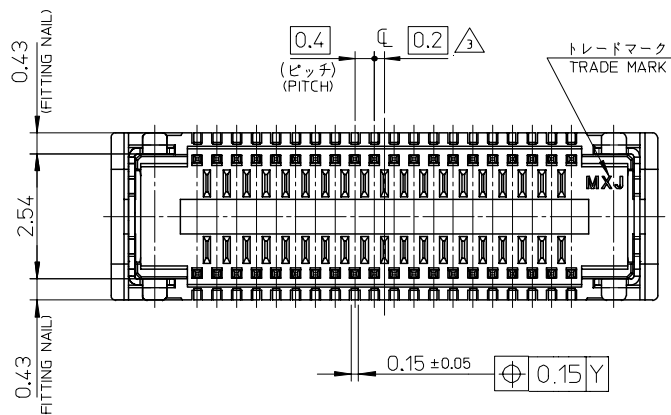
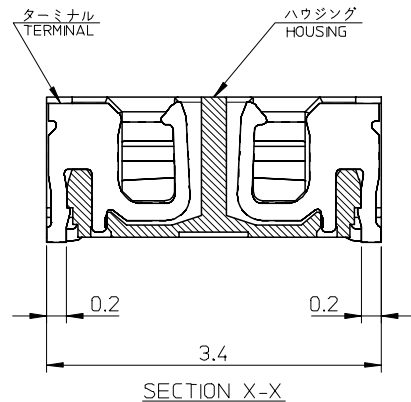
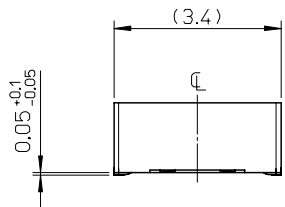
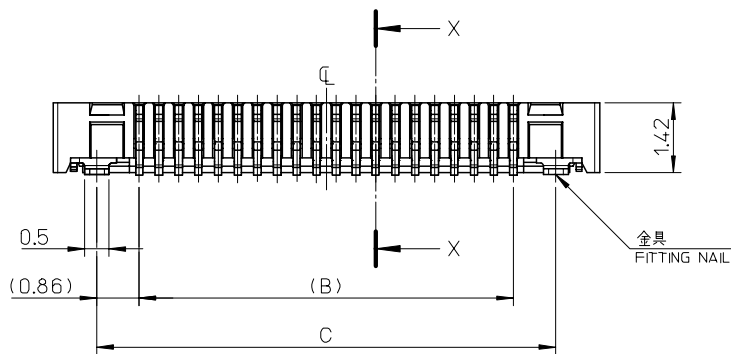
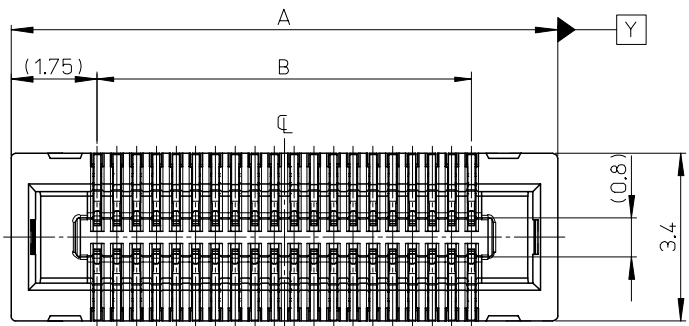
Please visit the [Contact Us](#) section for any non-product compliance questions.

**Search Parts in this Series**

[501635Series](#)

**Mates With**

[501639 PCB Header](#)



21.32	19.6	23.1	501635-1029	100
C	B	A	MATERIAL No.	CKT.
			MODEL No. : 501635-**-29	

RELEASED EC NO: J2008-1398 DRWN: YNUKANOBU 2007/10/19 CHKD: MSASAO 2007/10/19 APPR: MSASAO 2007/10/19	GENERAL TOLERANCES (UNLESS SPECIFIED)		DIMENSION STYLE MM ONLY		SCALE ---		DESIGN UNITS METRIC		THIRD ANGLE PROJECTION	
	10 UNDER	± 0.2	DRAWN BY YNUKANOBU	DATE 2007/10/19	TITLE 0.4 B-TO-B CONN.HGT=2.5 REC HSG ASSY					
	10 OVER 30 UNDER	± 0.25	CHECKED BY MSASAO	DATE 2007/10/19						
	30 OVER	± 0.3	APPROVED BY MSASAO	DATE 2007/10/19	MOLEX INCORPORATED					
	ANGULAR	± 1 °	MATERIAL NO. SEE CHART							
DRAFT WHERE APPLICABLE MUST REMAIN WITHIN DIMENSIONS		SIZE A3		THIS DRAWING CONTAINS INFORMATION THAT IS PROPRIETARY TO MOLEX INCORPORATED AND SHOULD NOT BE USED WITHOUT WRITTEN PERMISSION						

10 9 8 7 6 5 4 3 2 1

F

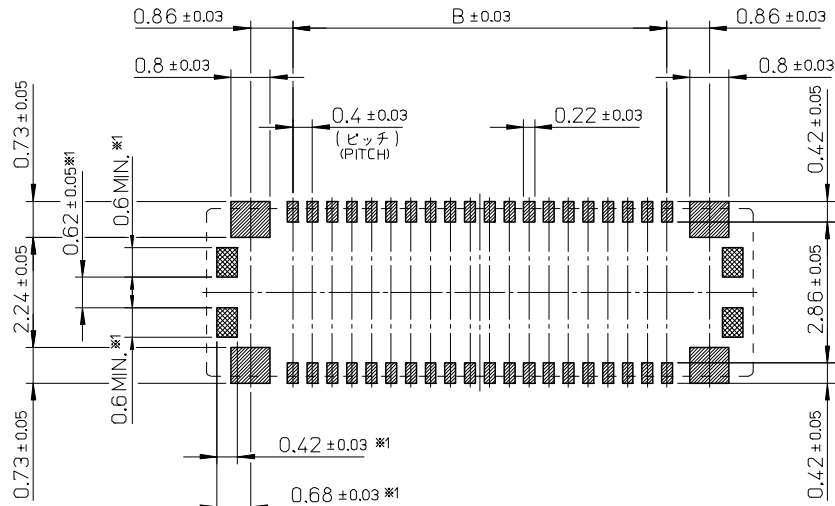
E

D

C

B

A



※1 : 補強金具部と同一回路以外のパターン(配線)引き回し禁止範囲を示す.

参考基板レイアウト(マウント面)  
P.C. BOARD PATTERN DIMENSION, (REFERENCE)  
(MOUNTING AREA)

注記 NOTES

1. 使用材料 MATERIAL

ハウジング: 液晶ポリマー (LCP) ガラス充填 UL94V-0 (黒)  
HOUSING: LIQUID CRYSTAL POLYMER (GLASS FILLED) UL94V-0 (COLOR: BLACK)  
ターミナル: りん青銅 (t=0.15)  
TERMINAL: PHOSPHOR BRONZE (t=0.15)  
金具: コルソン銅 (t=0.12)  
FITTING NAIL: CORSON TYPE COPPER ALLOY (t=0.12)

2. メッキ仕様 PLATING

ターミナル TERMINAL

金メッキ 0.2 マイクロメートル以上 (コンタクト部)  
GOLD 0.2 MICROMETER MINIMUM (CONTACT AREA)

金メッキ 0.4 マイクロメートル以下 (テール部)  
GOLD 0.4 MICROMETER MAXIMUM (TAIL AREA)

下地メッキ: ニッケルメッキ 1.5 マイクロメートル以上  
UNDER PLATING: NICKEL 1.5 MICROMETER MINIMUM

※コンタクト部とテール部はニッケルメッキによって分断されている金メッキです。  
DIVIDE INTO PARTS THE GOLD PLATING OF THE CONTACT AND THE TAIL PART BY THE NICKEL PLATING.

金具 FITTING NAIL

錫メッキ 1.0 マイクロメートル以上  
TN 1.0 MICROMETER MINIMUM

下地メッキ: ニッケルメッキ 1.0 マイクロメートル以上  
UNDER PLATING: NICKEL 1.0 MICROMETER MINIMUM

△ (全極数/2) = 偶数の場合に適用。  
APPLY FOR (CIRCUIT/2) = EVEN.

4. 嵌合相手: 502396 シリーズ  
MATE WITH: 502396 SERIES.

5. テールの平坦度は 0.08 以下、  
テール及び、金具の平坦度は 0.1 以下とする。  
TAIL COPLANARITY TO BE 0.08 MAXIMUM  
TAIL AND FITTING NAIL COPLANARITY TO BE 0.1 MAXIMUM.

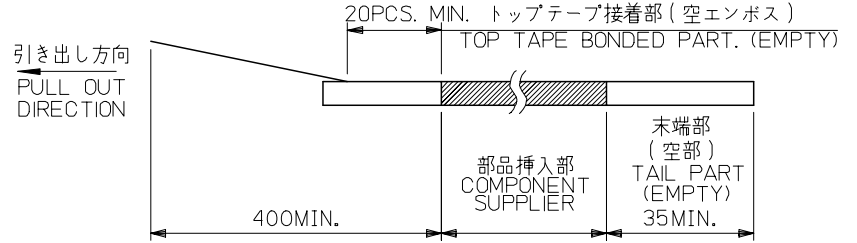
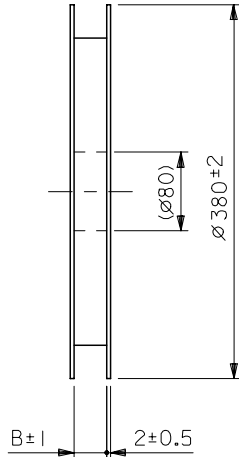
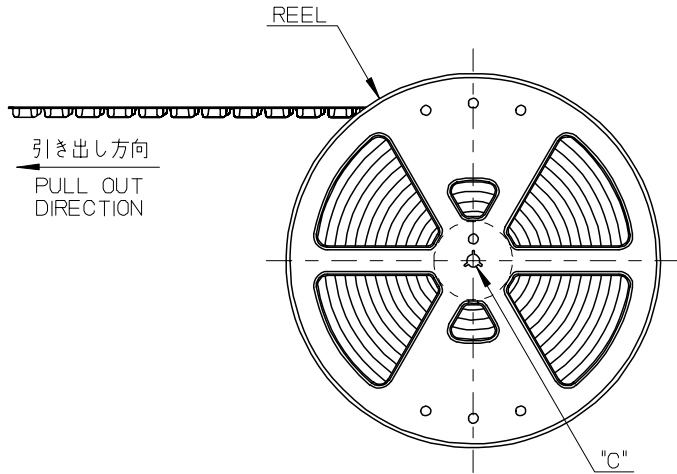
6. 本製品はネイルに錫メッキを使用している為、外観に摺動痕が  
つく場合がございますが、製品性能に影響ありません。  
THE WOULD OF FRICTION MIGHT ADHERE TO EXTERNALS  
BECAUSE THE TIN PLATING IS USED FOR NAIL. BUT THERE  
IS NO INFLUENCE IN THE PRODUCT PERFORMANCE.

7. ELV 及び、RoHS 適合品  
ELV AND RoHS COMPLIANT.

RELEASED EC NO: J2008-1398 DRWN: YNUKANOBU 2007/10/19 CHKD: MSASAO 2007/10/19 APPR: MSASAO 2007/10/19 0 REV	GENERAL TOLERANCES (UNLESS SPECIFIED)		DIMENSION STYLE MM ONLY		SCALE ---	DESIGN UNITS METRIC	THIRD ANGLE PROJECTION	
	10 UNDER	± 0.2	DRAWN BY YNUKANOBU	DATE 2007/10/19	TITLE 0.4 B-TO-B CONN.HGT=2.5 REC HSG ASSY			
	10 OVER 30 UNDER	± 0.25	CHECKED BY MSASAO	DATE 2007/10/19				
	30 OVER	± 0.3	APPROVED BY MSASAO	DATE 2007/10/19	MOLEX INCORPORATED			
	ANGULAR	± 1 °	MATERIAL NO. SEE CHART	DOCUMENT NO. SD-501635-003				
DRAFT WHERE APPLICABLE MUST REMAIN WITHIN DIMENSIONS		SIZE A3	THIS DRAWING CONTAINS INFORMATION THAT IS PROPRIETARY TO MOLEX INCORPORATED AND SHOULD NOT BE USED WITHOUT WRITTEN PERMISSION					

注記 NOTES

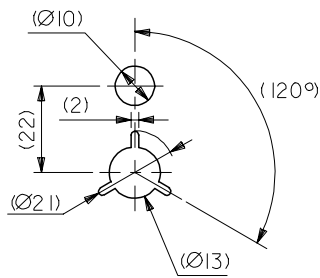
- 製品詳細寸法については製品単体図面を参照下さい。  
RE DETAILED DIMENSION, SEE PRODUCT DRAWING.
- 梱包数量: 5000 個/リール  
NUMBER OF CONNECTORS: 5000PCS/REEL
- リードテープ長さ LEAD TAPE LENGTH



- トップテープの剥離強度: 0.1N~1.3N(10gf~130gf)  
(剥離方向は下図参照)  
尚、本規格値は出荷時に適用。(但し、輸送時に剥離が発生しないこと。)  
PEELING OFF FORCE OF TOP TAPE: 0.1N~1.3N(10gf~130gf)  
(PEELING DIRECTION AS SHOWN IN FOLLOWING FIG.)  
THIS REQUIREMENT SHOULD BE APPLIED AT SHIPMENT.  
PEEL OFF SHOULD NOT BE ALLOWED, DURING TRANSPORTION.



- 材料 MATERIAL  
キャリアテープ (CARRIER TAPE): ポリスチレン (POLYSTYRENE)  
トップテープ (TOP TAPE): PET, PE, PEF  
リール (REEL): ポリスチレン (PS) <リサイクル材を含む>  
POLYSTYRENE (PS) <RECYCLE MATERIAL CONTAINED>
- ELV 及び、RoHS 適合品  
ELV AND RoHS COMPLIANT.



DETAIL "C"

RELEASED EC NO: J2008-1398 DRWN: YNUKANOBU 2007/10/19 CHKD: MSASAO 2007/10/19 APPR: MSASAO 2007/10/19	GENERAL TOLERANCES (UNLESS SPECIFIED)		DIMENSION STYLE MM ONLY		SCALE ---	DESIGN UNITS METRIC	MODEL NO.   501635-**20
	10 UNDER	$\pm 0.2$	DRAWN BY YNUKANOBU	DATE 2007/10/19	TITLE 0.4 B-TO-B CONN.HGT=2.5 REC ASSY EMBSTP PKG		
	10 OVER 30 UNDER	$\pm 0.25$	CHECKED BY MSASAO	DATE 2007/10/19	APPROVED BY MSASAO 2007/10/19		
	30 OVER	$\pm 0.3$	APPROVED BY MSASAO 2007/10/19		MOLEX INCORPORATED		
0	ANGULAR	$\pm 1$	MATERIAL NO.		DOCUMENT NO.	SHEET NO.	
DRAFT WHERE APPLICABLE MUST REMAIN WITHIN DIMENSIONS		SEE SHEET 2		SD-501635-004		1 OF 2	
THIS DRAWING CONTAINS INFORMATION THAT IS PROPRIETARY TO MOLEX INCORPORATED AND SHOULD NOT BE USED WITHOUT WRITTEN PERMISSION							

10 9 8 7 6 5 4 3 2 1

F

E

D

C

B

A

F

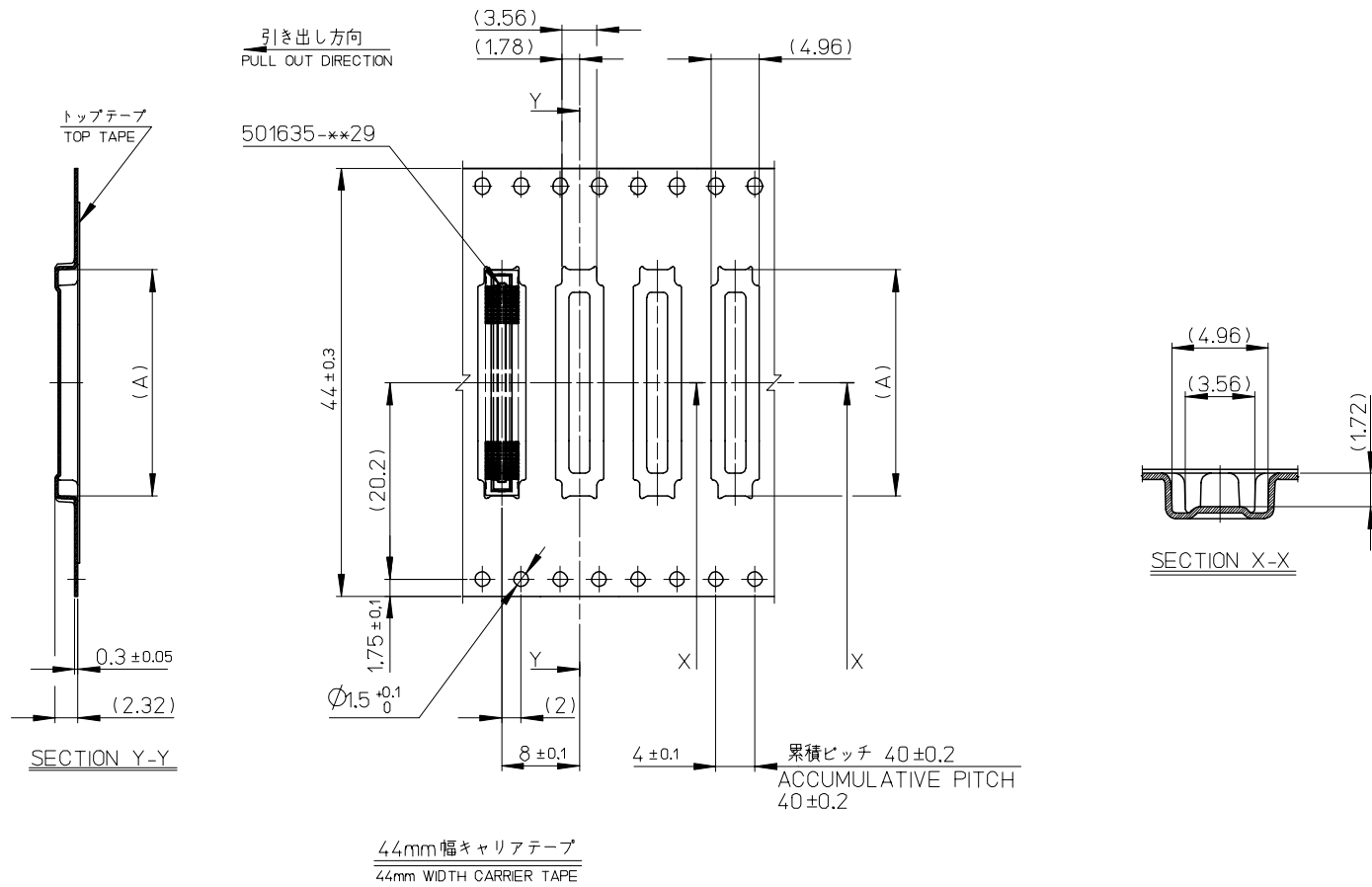
E

D

C

B

A



44mm幅キャリアテープ  
44mm WIDTH CARRIER TAPE

44	45.5	23.26	501635-1020	100
キャリアテープ幅 CARRIER TAPE WIDTH	B	(A)	MATERIAL No.	CKT.
			MODEL No.	501635-**-20

RELEASED EC NO: J2008-1398 DRWN: YNUKANOBU 2007/10/19 CHKD: MSASAO 2007/10/19 APPR: MSASAO 2007/10/19	GENERAL TOLERANCES (UNLESS SPECIFIED)		DIMENSION STYLE	SCALE	DESIGN UNITS	THIRD ANGLE PROJECTION
			MM ONLY	---	METRIC	
	10 UNDER	± 0.2	DRAWN BY	DATE	TITLE	
	10 OVER 30 UNDER	± 0.25	YNUKANOBU	2007/10/19	0.4 B-TO-B CONN.HGT=2.5 REC ASSY EMBSTP PKG	
30 OVER	± 0.3	CHECKED BY	DATE	MOLEX INCORPORATED		
ANGULAR	± 1	MSASAO	2007/10/19	MATERIAL NO.		
DRAFT WHERE APPLICABLE MUST REMAIN WITHIN DIMENSIONS		APPROVED BY	DATE	DOCUMENT NO.		
		MSASAO	2007/10/19	SD-501635-004		
		SEE CHART		SHEET NO.		
		SIZE A3		2 OF 2		

9

8

7

6

5

4

3

2