

BC327 SERIES

PNP GENERAL PURPOSE TRANSISTORS

VOLTAGE	45	POWER	625mW
---------	----	-------	-------

FEATURES

General purpose amplifier applications

PNP epitaxial silicon, planar design

Collector current $I_C = -800\text{mA}$

MECHANICAL DATA

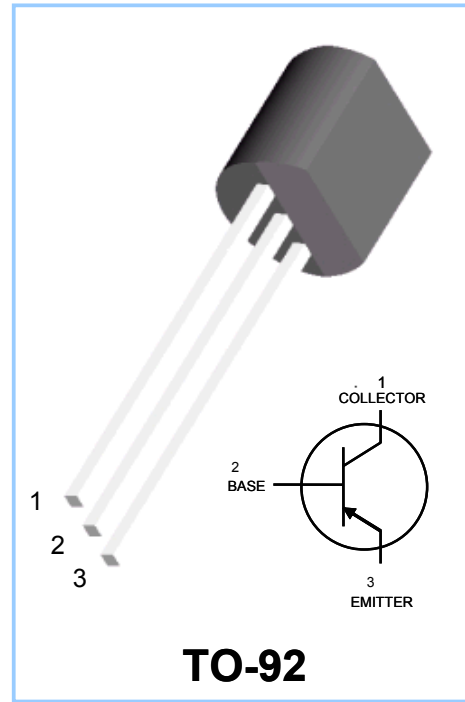
Case: TO-92

Terminals: Solderable per MIL-STD-202, Method 208

Device Marking: BC327-16: 7A

BC327-25: 7B

BC327-40: 7C



ABSOLUTE MAXIMUM RATINGS

PARAMETER	SYMBOL	Value	UNIT
Collector - Emitter Voltage	V_{CE0}	-45	V
Collector - Base Voltage	V_{CB0}	-50	V
Emitter - Base Voltage	V_{EB0}	-5.0	V
Collector Current - Continuous	I_C	-800	mA
Max Power Dissipation (Note 1)	P_{TOT}	625	mW
Junction and Storage Temperature Range	T_J, T_{STG}	-55 to 150	$^{\circ}\text{C}$

THERMAL CHARACTERISTICS

PARAMETER	SYMBOL	Value	UNIT
Thermal Resistance, Junction to Ambient (Note 1)	$R_{\theta JA}$	200	$^{\circ}\text{C}/\text{W}$

Note 1: Transistor mounted on FR-5 board 1.0 x 0.75 x 0.062 in.

ELECTRICAL CHARACTERISTICS ($T_J=25\text{ C}$, unless otherwise noted)

PARAMETER	SYMBOL	MIN.	TYP.	MAX.	UNIT
Collector - Emitter Breakdown Voltage ($I_C=-10\text{mA}$, $I_B=0$)	$V_{(BR)CE0}$	-45	-	-	V
Collector - Emitter Breakdown Voltage ($V_{EB}=0\text{V}$, $I_C=-100\mu\text{A}$)	$V_{(BR)CES}$	-50	-	-	V
Emitter - Base Breakdown Voltage ($I_E=-10\mu\text{A}$, $I_C=0$)	$V_{(BR)EB0}$	-5.0	-	-	V
Emitter-Base Cutoff Current ($V_{EB}=-4\text{V}$)	I_{EBO}	-	-	-100	nA
Collector-Base Cutoff Current ($V_{CB}=-30\text{V}$, $I_E=0$)	I_{CBO}	-	-	-100	nA
Collector Cutoff Current ($V_{CE}=-45\text{V}$, $V_{BE}=0$)	I_{CES}	-	-	-100	nA
DC Current Gain ($I_C=-100\text{mA}$, $V_{CE}=-1\text{V}$)	BC337-16	100	-	250	-
	BC337-25	160	-	400	
	BC337-40	250	-	630	
		40	-	-	
Collector - Emitter Saturation Voltage ($I_C=-500\text{mA}$, $I_B=-50\text{mA}$)	$V_{CE(SAT)}$	-	-	-0.7	V
Base - Emitter Voltage ($I_C=-300\text{mA}$, $V_{CE}=-1.0\text{V}$)	$V_{BE(ON)}$	-	-	-1.2	V
Collector - Base Capacitance ($V_{CB}=-10\text{V}$, $I_E=0$, $f=1\text{MHz}$)	C_{CBO}	-	5.0	-	pF
Current Gain - Bandwidth Product ($I_C=-10\text{mA}$, $V_{CE}=-5\text{V}$, $f=100\text{MHz}$)	f_T	-	210	-	MHz

ELECTRICAL CHARACTERISTICS CURVES

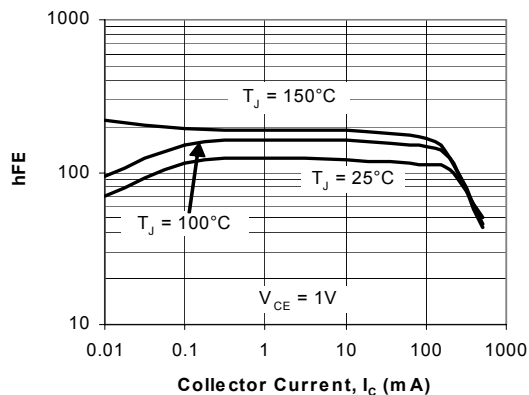


Fig. 1. BC337-16 Typical h_{FE} vs. I_C

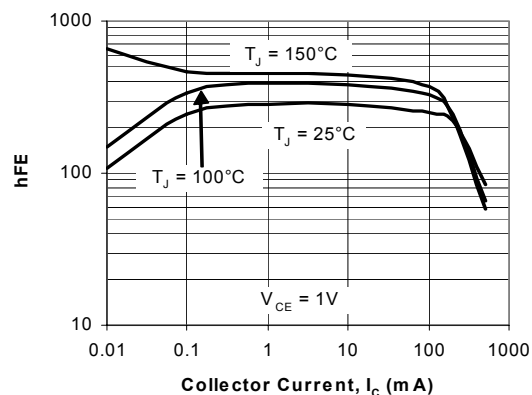


Fig. 2. BC337-25 Typical h_{FE} vs. I_C

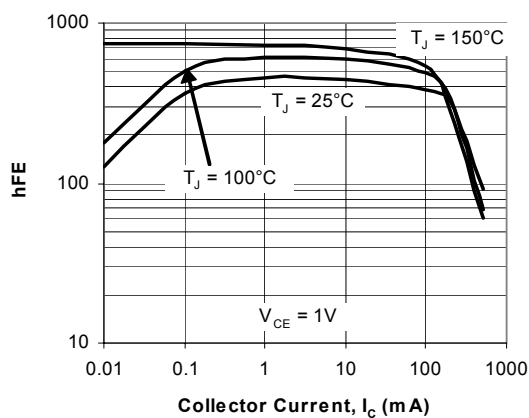


Fig. 3. BC337-40 Typical h_{FE} vs. I_C

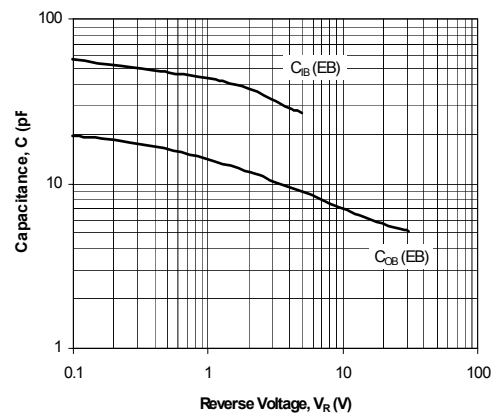
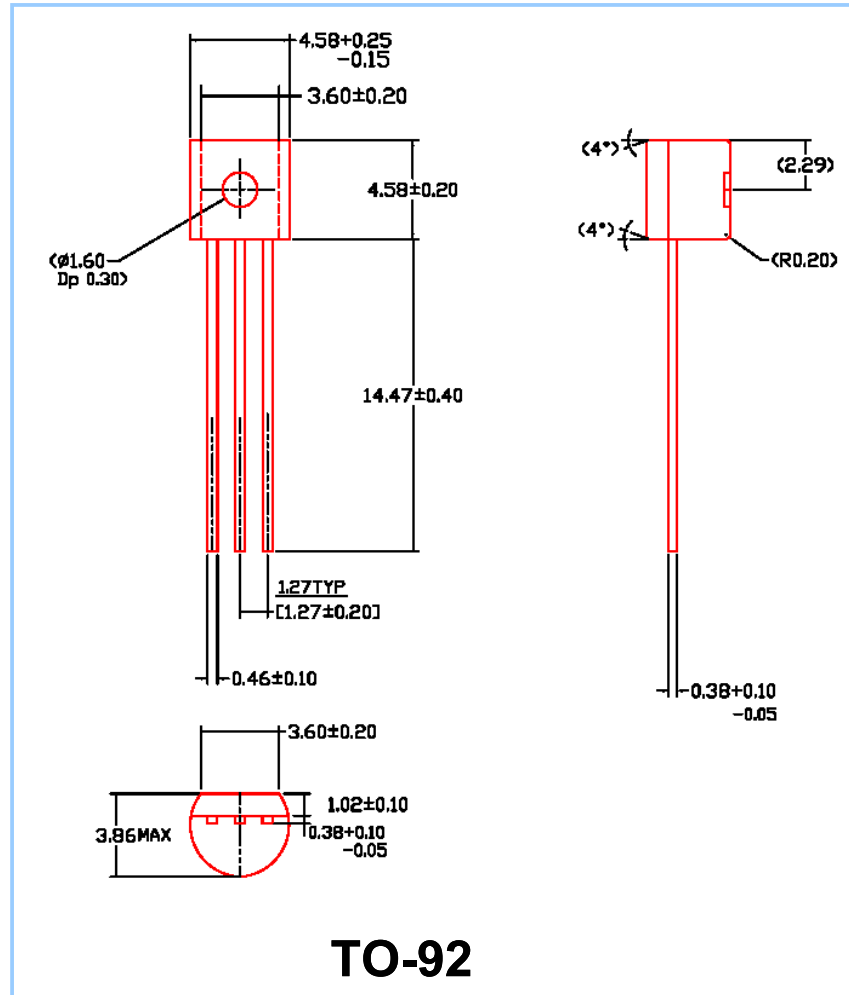


Fig. 4. Typical Capacitances

TO-92 PACKAGE OUTLINE



ORDER INFORMATION

BC327-xx B – Bulk 5,000 per box
BC327-xx T/R – Tape and Reel, 2,000 per reel
BC327-xx A/B – Ammo Pack, 2,000 Per Ammo Pack

Copyright PanJit International, Inc 2005

The information presented in this document is believed to be accurate and reliable. The specifications and information herein are subject to change without notice. Pan Jit makes no warranty, representation or guarantee regarding the suitability of its products for any particular purpose. Pan Jit products are not authorized for use in life support devices or systems. Pan Jit does not convey any license under its patent rights or rights of others.