

<b>SANYO</b>	NO.880C	<b>LB1407, 1417</b>
	<b>AC/DC Voltage Level Meter</b>	

**Features and Functions**

- . The LB1407 and LB1417 are based on dB scale and linear scale respectively.
- . The input level is indicated in the form of a bar by means of 7 red/green LEDs.
- . The LED current is made variable with an external resistor.
- . An input amplifier is built in.
- . A wide range of supply voltages is available from 5.5V to 16V.

Comparator Level at  $T_a=25^\circ\text{C}$ ,  $V_{CC}=12\text{V}$

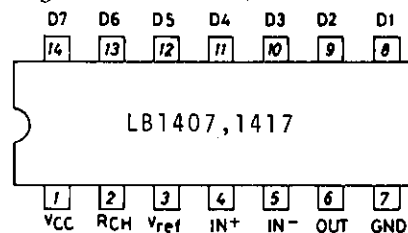
[LB1407]

Comparator level	Pin No.	dB scale		(Reference: Linear scale)	
		typ	unit	typ	unit
D1	8	-20	dB	150	mV
D2	9	-10	dB	485	mV
D3	10	-6	dB	770	mV
D4	11	-3	dB	1090	mV
D5	12	0	dB	1530	mV
D6	13	3	dB	2150	mV
D7	14	6	dB	3000	mV

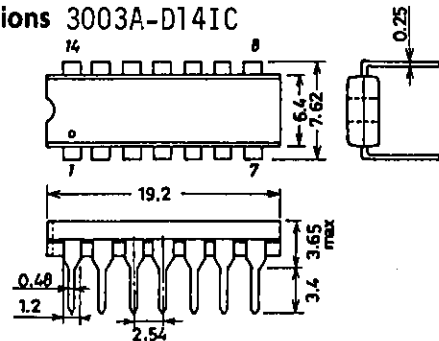
[LB1417]

Comparator level	Pin No.	Linear scale		(Reference: dB scale)	
		typ	unit	typ	unit
D1	8	430	mV	-14.0	dB
D2	9	840	mV	-8.0	dB
D3	10	1280	mV	-4.4	dB
D4	11	1700	mV	-1.9	dB
D5	12	2150	mV	0	dB
D6	13	2570	mV	1.6	dB
D7	14	3000	mV	2.9	dB

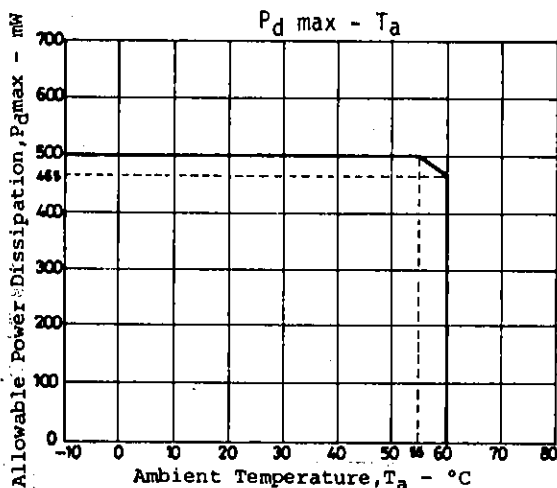
**Pin Assignment**



**Package Dimensions 3003A-D14IC (unit: mm)**



SANYO: DIP14



Absolute Maximum Ratings at  $T_a=25^\circ\text{C}$

				unit
Maximum Supply Voltage	$V_{CCmax}$	Pin 1	-0.3 to +18	V
Input Voltage	$V_{IN}$	Pin 4,5	-0.3 to $V_{CC}$	V
D <sub>1</sub> to D <sub>7</sub> Output Voltage	$V_{OUT(D)}$	D <sub>1</sub> to D <sub>7</sub> OFF	-0.3 to +18	V
D <sub>1</sub> to D <sub>9</sub> Output Current	$I_{OL(D)}$	Pins 8 to 14, D <sub>1</sub> to D <sub>7</sub> ON	+30	mA
Reference Flow-out Current	$I_{ref}$	Pin 3	-1 to 0	mA
$V_{OUT}$ Supply Voltage	$V_{OUT}$	Pin 6	-0.3 to +6	V
Allowable Power Dissipation	$P_{dmax}$	$T_a=55^\circ\text{C}$	500	mW
Operating Temperature	$T_{opr}$		-20 to +60	$^\circ\text{C}$
Storage Temperature	$T_{stg}$		-40 to +125	$^\circ\text{C}$

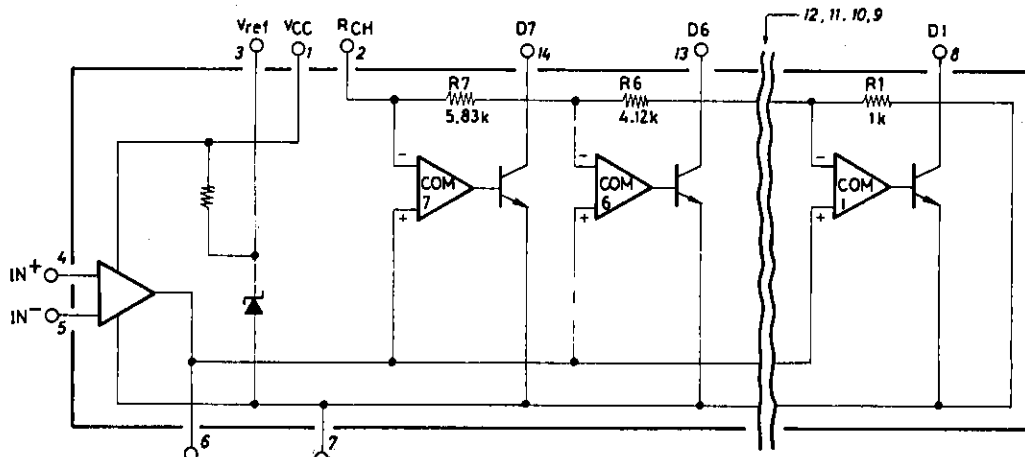
Allowable Operating Conditions at  $T_a=25^\circ\text{C}$

				unit
Recommended Supply Voltage	$V_{CC}$	Pin 1	+5.5 to +16	V
Input Voltage	$V_{IN+}$ or $V_{IN-}$	Pin 4 or 5	-0.3 to $V_{CC}$	V
Output Pin Load Resistance	$R_L$	Between pin 6 OUT and pin 7 GND.	15k to 20k	ohm

Electrical Characteristics at  $T_a=25^\circ\text{C}, V_{CC}=12\text{V}$  (Unless  $V_{CC}$  is otherwise specified)

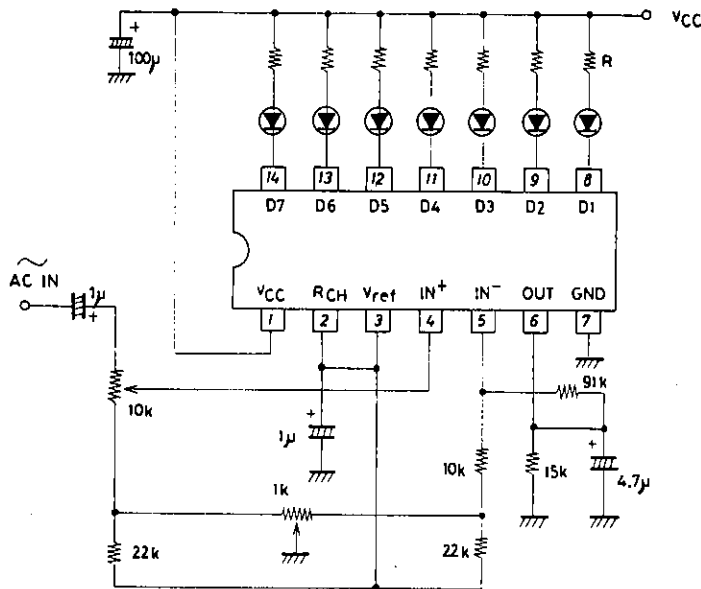
			min	typ	max	unit
Input Bias Current (Amplifier)	$I_{IN+}(A)$	Pin4, $V_{IN+}=0\text{V}, V_{IN-}=3\text{V}$ GND=0V	-2		0	$\mu\text{A}$
	$I_{IN-}(A)$	Pin5, $V_{IN+}=3\text{V}, V_{IN-}=0\text{V}$ GND=0V	-2		0	$\mu\text{A}$
Input Bias Current (Comparator) + Output Leak Current	$I_{IN+}(C) + I_{OL}(A)$	Pin6, $V_{IN+}=0\text{V}, V_{IN-}=3\text{V}$ , OUT=0V, GND=0V	-10		0	$\mu\text{A}$
Offset Voltage (1)	$V_{offset(1)}$	Pin6, $V_{CC}=6\text{V}, V_{IN+}=V_{IN-}$ =0V, GND=-6V, GAIN=20dB	-150		+150	mV
Offset Voltage (2)	$V_{offset(2)}$	Pin6, $V_{IN+}=V_{IN-}=0\text{V}$ , GND=0V, GAIN=20dB	0		+150	mV
Reference Voltage	$V_{ref}$	Pin2, $I_{ref}=0$ to 1mA	2.7		3.1	V
Current Dissipation	$I_{CC}$	Pin1, $V_{IN+}=3\text{V}, V_{IN-}=0\text{V}$		8	15	mA
Amplifier Gain	$V_G$	Open loop		30		dB
Output Flow-out Current	$I_{OH}$	Pin6, $V_{IN+}=3\text{V}, V_{IN-}=0\text{V}$ $V_{OUT}=0\text{V}$			-10	mA
Pin D Output ON Voltage	$V_{OL(D)}$	Pin8 to 14, D <sub>1</sub> to D <sub>7</sub> , $I_{OL}=$ 20mA, $V_{IN+}=3\text{V}, V_{IN-}=0\text{V}$			1.2	V
Pin D Output Leak Current	$I_{OH(D)}$	Pin8 to 14, D <sub>1</sub> to D <sub>7</sub> , $V_{IN+}=$ 0V, $V_{IN-}=3\text{V}, V_{D1}$ to $D7=12\text{V}$			10	$\mu\text{A}$
Output Voltage (Amplifier) $V_{OH}$		Pin6, $V_{CC}=5.5\text{V}, V_{IN+}=3\text{V}$ , $V_{IN-}=0\text{V}, R_L=15\text{kohms}$	4			V
		Pin6, $V_{CC}=12\text{V}, V_{IN+}=3\text{V}$ , $V_{IN-}=0\text{V}, R_L=15\text{kohms}$	9.5			V

Equivalent Circuit



Unit (resistance:  $\Omega$ ) Internal resistors :  $R_5(2.92\text{k}), R_4(2.07\text{k}), R_3(1.85\text{k}), R_2(2.16\text{k})$   
 $(R_1$  to  $R_7$  of LB1417 are all  $2.85\text{kohm}$ ).

## Application Circuit

Unit (resistance:  $\Omega$ , capacitance: F)

Current flowing to LED :

$$I_{LED} = \frac{V_{CC} - 3}{R}$$

(Example) Assuming  $I_{LED}=10\text{mA}$  at  $V_{CC}=12\text{V}$ , R is :

$$R = \frac{12 - 3}{10 \times 10^{-3}} = \frac{9}{10 \times 10^{-3}} = 900\Omega$$

- No products described or contained herein are intended for use in surgical implants, life-support systems, aerospace equipment, nuclear power control systems, vehicles, disaster/crime-prevention equipment and the like, the failure of which may directly or indirectly cause injury, death or property loss.
- Anyone purchasing any products described or contained herein for an above-mentioned use shall:
  - ① Accept full responsibility and indemnify and defend SANYO ELECTRIC CO., LTD., its affiliates, subsidiaries and distributors and all their officers and employees, jointly and severally, against any and all claims and litigation and all damages, cost and expenses associated with such use:
  - ② Not impose any responsibility for any fault or negligence which may be cited in any such claim or litigation on SANYO ELECTRIC CO., LTD., its affiliates, subsidiaries and distributors or any of their officers and employees jointly or severally.
- Information (including circuit diagrams and circuit parameters) herein is for example only; it is not guaranteed for volume production. SANYO believes information herein is accurate and reliable, but no guarantees are made or implied regarding its use or any infringements of intellectual property rights or other rights of third parties.