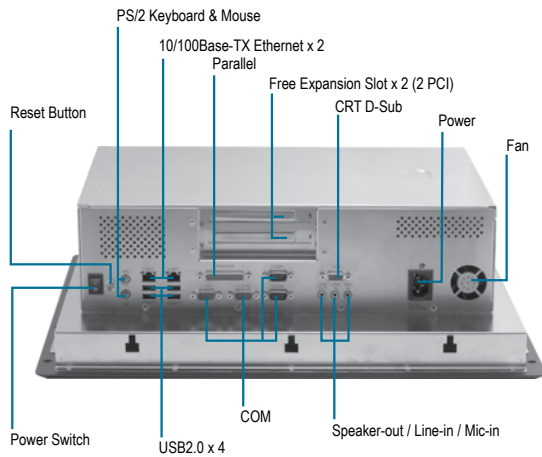
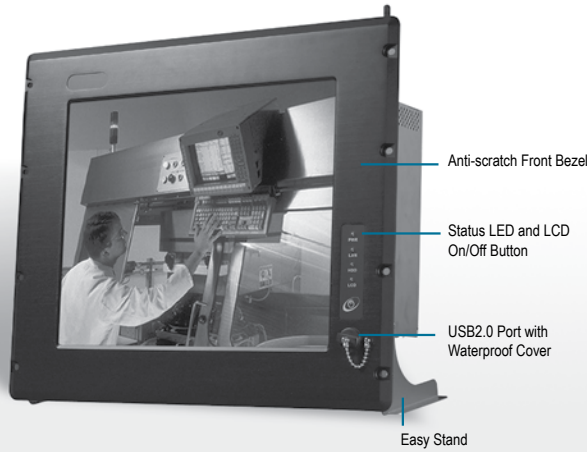


# APC-9172

17" Intel® Core™ 2 Duo Processor Robust Panel PC With 2 PCI Expansion Slots

09

Robust Panel PC Solutions



## Features

- 17" TFT SXGA (1280 x 1024) LCD
- Socket 478-Based Intel® Core™ 2 Duo Processor
- Anti-Vibration Disk Drive Bay For Hard Disk Drive
- IP-65 Certified Anti-Scratch & Waterproof Aluminum Front Panel With USB Port
- Resistive TouchScreen (Optional)
- Two PCI Or One PCI And PCI-Express [x1] (Optional)



## Specifications

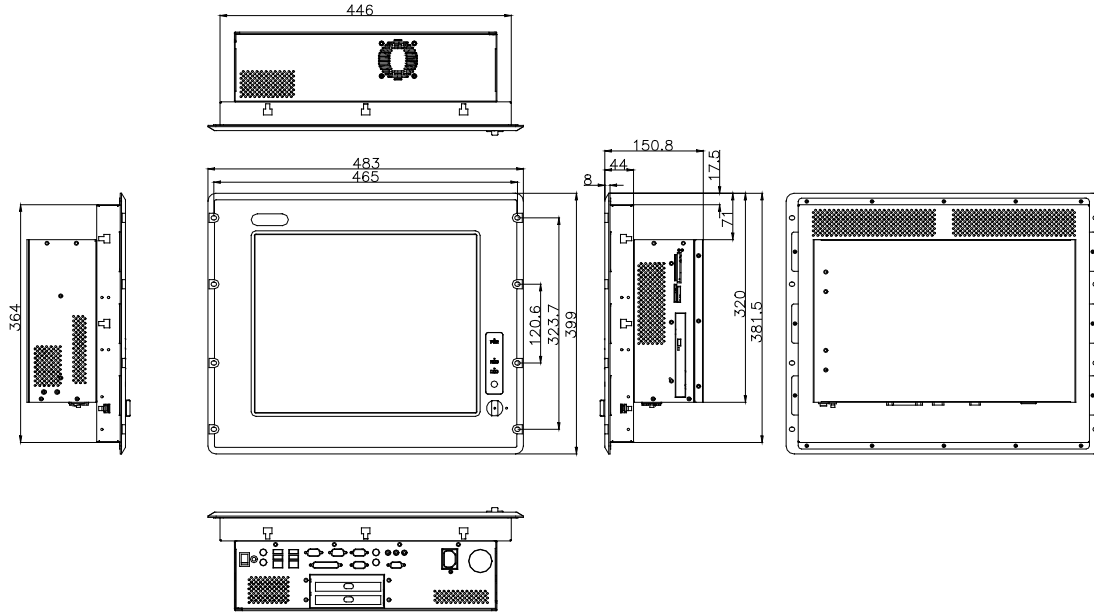
System	
Processor (Optional)	Socket 478-based Intel® Core™ 2 Duo processor (up to 2.0 GHz)
Memory (Optional)	DDR2 SODIMM Socket x 1, total up to 2 GB
LCD/CRT Controller	Intel® 945GME
Ethernet	Intel® 82573L Gigabit Ethernet, RJ-45 x 2
I/O Port	4 serial ports: RS-232 x 3, RS-232/422/485 x 1 Parallel x 1 (supports ECP/EPP) PS/2 mouse x 1 PS/2 keyboard x 1 VGA x 1 USB2.0 x 4 (on rear chassis) USB2.0 x 1 (on front panel) (protectable by BIOS) MIC-in, Line-in, Speaker-out, S/P DIF-out
Storage Disk Drive	Anti-vibration 2.5" SATA Hard Disk Drive (Optional), Slim CD-ROM (Optional) Card reader: Supports CompactFlash™ 1/2, Secure Digital, 8-in-1 Card Reader
Expansion Slot	PCI x 2/1 & PCI-Express x 1 (optional) / Mini-PCI
OS Support	Windows® 2000, Windows® XP Embedded, Windows® XP Pro for Embedded, Windows® 7
Mechanical	
Construction	Heavy-duty steel chassis IP-65 certified anti-scratch aluminum front panel (or optional stainless steel front panel)
Front Panel Color	PMS 2965C (Dark Blue)
Mounting	Panel mount, Rackmount
Dimension	19" (W) x 15.7" (H) x 5.7" (D) (483mm x 399mm x 145mm)
Carton Dimension	24.4" (W) x 20.6" (H) x 13.8" (D) (620mm x 522mm x 351mm)
Gross Weight	33.1 lb (15.0 Kg)
Net Weight	28.16 lb (12.8 Kg)
Environmental	
Operating Temperature	32°F ~ 122°F(0°C ~ 50°C)
Storage Temperature	-4°F ~ 140°F(-20°C ~ 60°C)
Storage Humidity	10% to 90%@ 35°C, non-condensing
Vibration	1 g rms/ 5~500Hz/ Random Operation
Shock	10 G peak acceleration (11 msec. Duration)
EMC	CE/FCC Class A
Power Supply	
AC input 250W	Input : 100V AC ~ 240V AC±10%@ 47 ~ 63Hz

# APC-9172

## Dimension

Unit: mm

Cut Size: 449 x 367 mm



LCD	
Display Type	17" color TFT LCD
Max. Resolution	1280 x 1024
Max. Colors	16.2M
Dot Size	0.264 x 0.264
Luminance (Typical)	300 cd/m <sup>2</sup>
Viewing Angle	140°(H) / 130°(V)
Back Light MTBF (Hrs)	50,000
TouchScreen (Optional)	
Type	8-wire, Analog Resistive
Resolution	2048 x 2048
Light Transmission	80%
Lifetime	10 million activations
OS Support	Windows® 2000, Windows® XP Pro for Embedded, Windows® XP Embedded (Optional), Windows® 7

## Optional Accessories

- Intel® Core™ 2 Duo Processor
- DDR2 SODIMM
- 2.5" Hard Disk Drive
- Slim CD-ROM/ Combo/ DVD-ROM
- **1702031802**  
Power Cord (US Type)
- **1702031803**  
Power Cord (European Type)
- **170203180E**  
Power Cord (Japanese Type)
- **9697R12P02**  
Riser Card for 1 PCI & 1 PCI-e

## Ordering Information

- **TF-APC-9172HT-A1-1010**  
Intel® Core™ 2 Duo Panel PC with 17" TFT, AC Power Supply, Two Free Expansion Slots
- **TF-APC-9172HTT-A1-1010**  
TF-APC-9172HT-A1 with Resistive TouchScreen