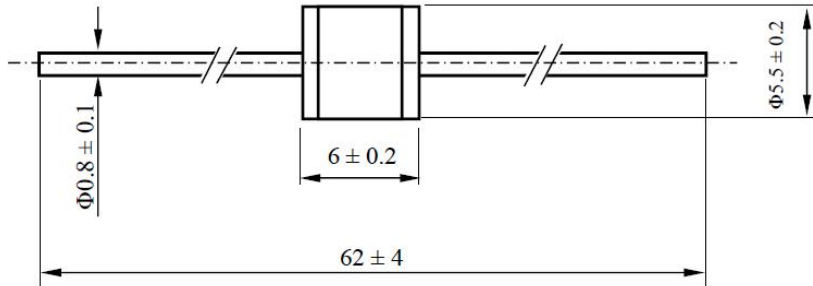


2-Electrode Gas Discharge Tubes

2.5KA

1: Dimension(mm)

Axial Lead Wire,High Voltage



2:Main Applications	3:Features
<ul style="list-style-type: none"> •PCI Cards protection •Telephone/Fax/Modem protection •single line protection •ADSL/XDSL Splitter,Power Supply •Surge Protection Device/Surge Protector 	<ul style="list-style-type: none"> •100% Lead-Free(RoHs Compliant) •Non-Radioactive •Low capacitance: ≤1pF •Small size :Φ5.5x6(mm) •Safety certification:

4 Electrical Characteristics

Part Number	DC Spark-over Voltage	Impulse Spark-over Voltage	Insulation Resistance	Impulse discharge current 8/20μs		Capacitance 1MHz	AC discharge current 50Hz,1s	Delivery time	AC Withstanding Voltage
	@100V/S	@1KV/μs	GΩ	10 Times	1 Time	pF	10times	days	
HA2R6M-800L	800V ±20%	≤1400V	>1GΩ	2.5KA	5KA	≤1pF	2.5A	14days	--
HA2R6M-1000L	1000V ±20%	≤ 1700V	>1GΩ	2.5KA	5KA	≤1pF	2.5A	14days	--
HA2R6M-1200L	1200V ±20%	≤ 1900V	>1GΩ	2.5KA	5KA	≤1pF	2.5A	14days	--
HA2R6M-1500L	1500V ±20%	≤ 2200V	>1GΩ	2.5KA	5KA	≤1pF	2.5A	14days	--
HA2R6M-2000L	2000V ±20%	≤ 2700V	>1GΩ	2.5KA	5KA	≤1pF	2.5A	14days	--
HA2R6M-2100L	2100V ±20%	≤ 3100V	>1GΩ	2.5KA	5KA	≤1pF	2.5A	14days	--
HA2R6M-2400L	2400V ±20%	≤ 3400V	>1GΩ	2.5KA	5KA	≤1pF	2.5A	14days	---
HA2R6M-2500L	2500V ±20%	≤ 3500V	>1GΩ	2.5KA	5KA	≤1pF	2.5A	14days	AC1250V,1S
HA2R6M-2700L	2700V ±20%	≤ 3700V	>1GΩ	2.5KA	5KA	≤1pF	2.5A	14days	AC1250V,1S
HA2R6M-3000L	3000V ±20%	≤ 4000V	>1GΩ	2.5KA	5KA	≤1pF	2.5A	14days	AC1250V,1min AC1500V,1S
HA2R6M-3100L	3100V ±20%	≤ 4100V	>1GΩ	2.5KA	5KA	≤1pF	2.5A	14days	AC1250V,1min AC1500V,1S
HA2R6M-3600L	3600V ±20%	≤ 4600V	>1GΩ	2.5KA	5KA	≤1pF	2.5A	14days	AC1500V,1min AC1800V,1S

2-Electrode High Voltage Gas Discharge Tubes

2.5KA



1:At delivery AQL 0.65 leave II Military Standard 105 E

2:In ionized mode

3:Test according to ITU-T Rec.k.12

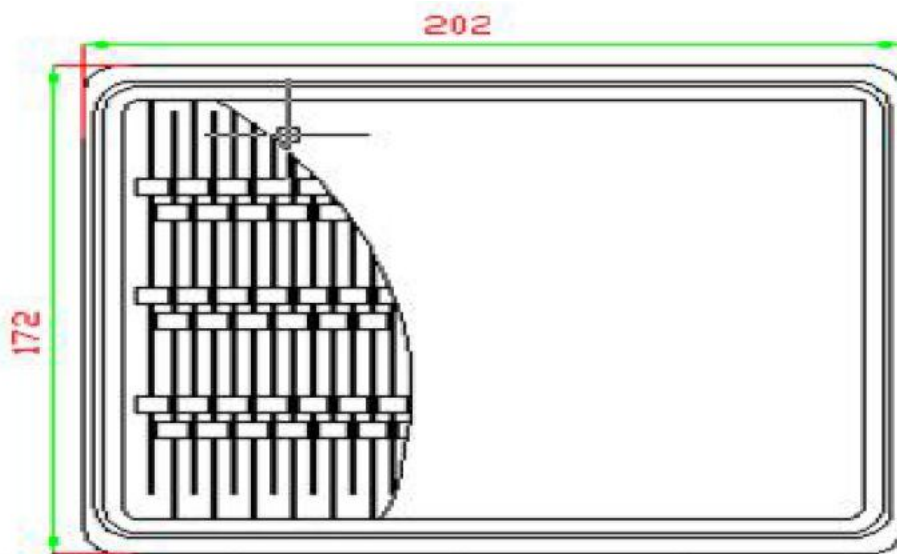
Environmental resistance

Storage temperature:	-40°C---+90°C
Operating temperature:	-40°C---+90°C
Electrode:	Tin Plated

Example Part Number: HA2R6-3000L

HA	=	HUAAN
2	=	2 Electrode device
R	=	Gas Discharge Tube
6	=	6mm length of the tube
3000	=	3000V
L	=	Low Surge 2.5KA

Packaging Information



Packaging Quantity

Part Number	Quantity	
	Per Tray	Per Carton
H2R6M-xx00L Series	100PCS	5000PCS