

THIS DRAWING IS UNPUBLISHED.

RELEASED FOR PUBLICATION

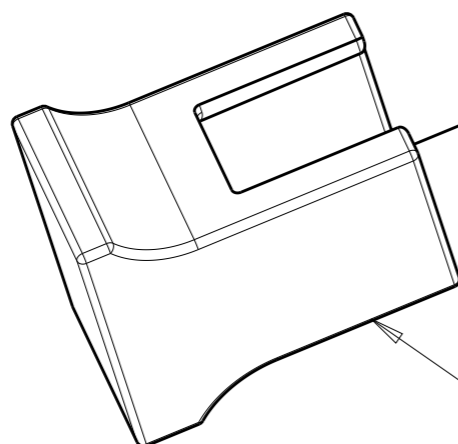
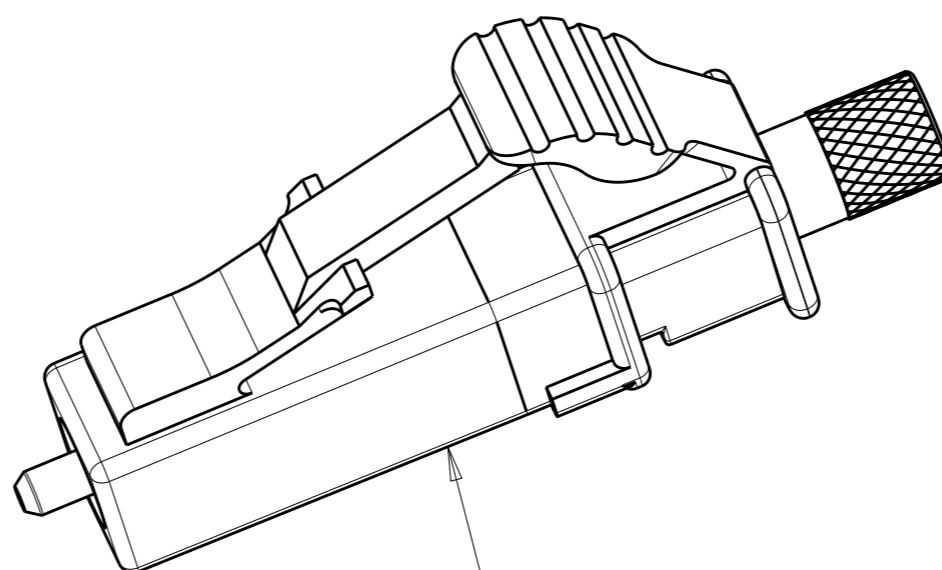
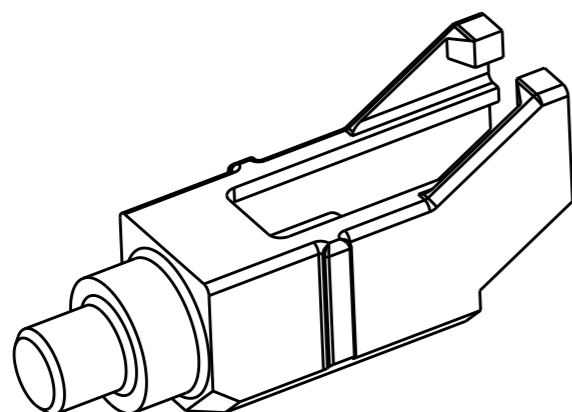
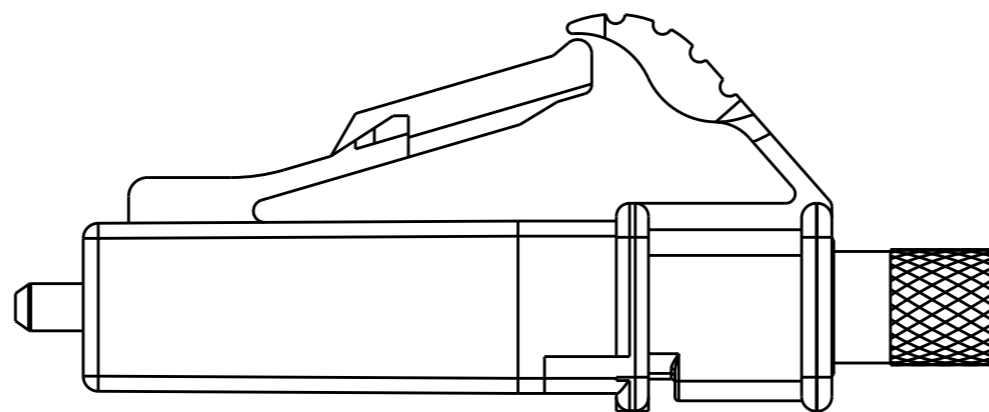
© COPYRIGHT -

ALL RIGHTS RESERVED.

LOC HG DIST -

REVISIONS

P	LTR	DESCRIPTION	DATE	DWN	APVD
	A	REL PER ECO-07-007418	29MAR2007	DHR	DHR
	B	REV PER ECR-10-009334	11MAY2010	IL	CT
	B1	ADD NEW DASH -3	28DEC2012	SW	RZ
	C	ECR-15-000639	14JAN2015	BB	JO



- 2

- 1 AND - 3

CONNECTOR SUB-ASSEMBLY

PROTECTIVE COVER

PVC	WHITE	1754625-3
VALOX	BLACK	1754625-2
PVC	WHITE	1754625-1
MATERIAL 1	PROTECTIVE COVER COLOR	PART NO

△ MATERIAL:
 PROTECTIVE COVER - SEE TABLE FOR DETAIL, UL 94 V-0 *
 FERRULE SUB ASSEMBLY - ZIRCONIA/METAL
 COMPRESSION SPRING - STAINLESS STEEL
 HOUSING - PEI, BEIGE, UL 94 V-0 *
 INNER TUBING - PTFE, CLEAR, UL VW-1
 REAR BODY - ALUMINUM

* RATED AT QUALIFYING THICKNESS

2. BULK PACKAGED.

THIS DRAWING IS A CONTROLLED DOCUMENT.

DIMENSIONS:	TOLERANCES UNLESS OTHERWISE SPECIFIED:
mm	
	0 PLC ±-
	1 PLC ±-
	2 PLC ±0.10
	3 PLC ±-
	4 PLC ±-
	ANGLES ±-
MATERIAL -	FINISH -

DWN	E. HOPKINS	16FEB2006
CHK	D. ROHDE	16FEB2006
APVD	D. BAECHTLE	16FEB2006
PRODUCT SPEC	-	
APPLICATION SPEC	-	
WEIGHT	-	
CUSTOMER DRAWING		

STE TE Connectivity			
NAME CONNECTOR ASSEMBLY, ONE-PIECE LC, MULTIMODE			
SIZE	CAGE CODE	DRAWING NO	RESTRICTED TO
A3	-	1754625	-
SCALE 5:1		SHEET 1 OF 1	REV C