

Micro-D Accessories Shorting Plug Assembly 177-007



Shorting Plug Assemblies are Micro-D connectors with all contacts bussed/shorted together. Enclosed in a backshell and fitted with jackscrews, these shorting plugs provide ESD protection to sensitive instrumentation.

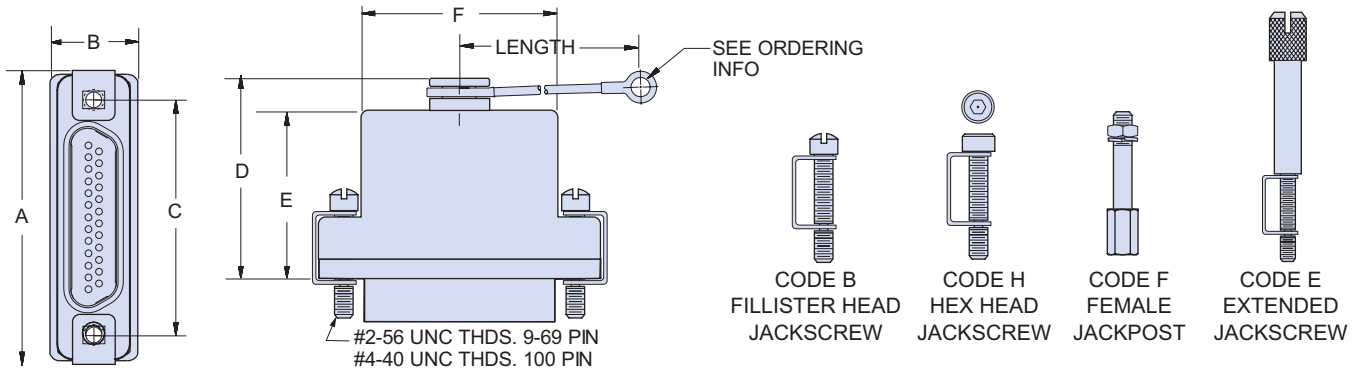
MATERIALS & FINISHES	
Shells	Aluminum Alloy 6061 -T6
Contacts	Gold-Plated Copper Alloy
Encapsulant	Epoxy
Insulators	Glass-Filled LCP
Hardware	300 Series Stainless Steel, Passivated

HOW TO ORDER 177-007 SHORTING PLUGS

Series	Connector Size	Contact Type	Shell Finish	Hardware Option	Lanyard Option	Lanyard Length	Ring Terminal Ordering Code
177-007	9 51	P – Pin S – Socket	1 – Cadmium, Yellow Chromate 2 – Electroless Nickel 4 – Black Anodize 5 – Gold 6 – Chem Film	B – Fillister Head Jackscrew H – Hex Head Jackscrew E – Extended Jackscrew F – Jackpost, Female N – No Hardware	N – No Lanyard G – Flexible Nylon Rope F – Wire Rope, Nylon Jacket H – Wire Rope, Teflon Jacket	Length in One Inch Increments Example: "6" equals six inches.	06 – .125 (3.2)
	15 51-2						01 – .140 (3.6)
	21 67						05 – .167 (4.2)
	25 69						04 – .197 (5.0)
	31 100						I.D. of Ring Terminal
	37						

Sample Part Number

177-007	- 25	S	2	H	F	4	- 06
---------	------	---	---	---	---	---	------



Size	A Max.		B Max.		C		D Max.		E Max.		F Max.	
	In.	mm.	In.	mm.	In.	mm.	In.	mm.	In.	mm.	In.	mm.
9	.850	21.59	.370	9.40	.565	14.35	.600	15.24	.450	11.43	.410	10.41
15	1.000	25.40	.370	9.40	.715	18.16	.720	18.29	.570	14.48	.580	14.73
21	1.150	29.21	.370	9.40	.865	21.97	.840	21.34	.690	17.53	.740	18.80
25	1.250	31.75	.370	9.40	.965	24.51	.900	22.86	.750	19.05	.850	21.59
31	1.400	35.56	.370	9.40	1.115	28.32	.960	24.38	.810	20.57	.980	24.89
37	1.550	39.37	.370	9.40	1.265	32.13	1.000	25.40	.850	21.59	1.130	28.70
51	1.500	38.10	.410	10.41	1.215	30.86	1.030	26.16	.880	22.35	1.080	27.43
51-2	1.910	48.51	.370	9.40	1.615	41.02	1.030	26.16	.880	22.35	1.510	38.35
67	2.310	58.67	.370	9.40	2.015	51.18	1.030	26.16	.880	22.35	1.880	47.75
69	1.810	45.97	.410	10.41	1.515	38.48	1.030	26.16	.880	22.35	1.380	35.02
100	2.235	56.77	.460	11.68	1.800	45.72	1.090	27.69	.940	23.88	1.470	37.34

M