

central ELECTRONIC

MANUFACTURERS

DENVILLE NEW JERSEY

HIGH
VACUUM
DIODE
TYPE
XD-18

NOTE

This tube now designated XD-18R

HIGH VOLTAGE HIGH VACUUM DIODE

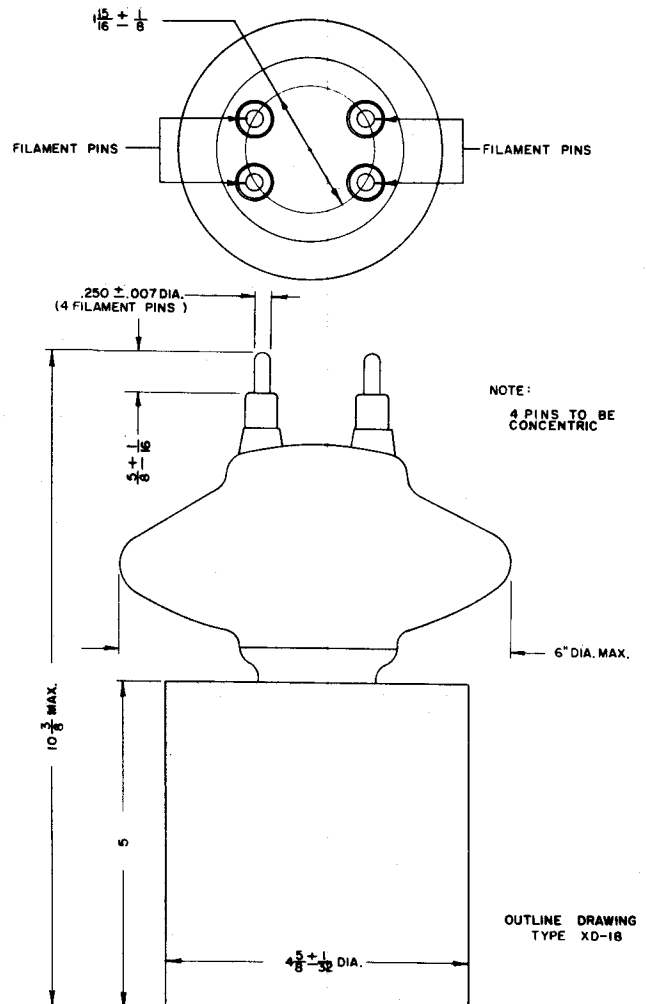
DESCRIPTION

The Central Electronic Manufacturers tube type XD-18 is a forced-air-cooled high vacuum type diode for use in power supplies and modulators. Rugged kovar grid and filament seals insure greater protection against mechanical stress and shock.

SPECIFICATIONS

PHYSICAL

Overall length $10\frac{3}{8}$ " max.
Overall diameter $4\frac{5}{8}$ " max.
Type of cooling Forced air
Mounting position Vertical
Mounting sockets . . Central CAS-1, 4, 6
Air flow 300 cfm @ 2.5" back
pressure for 13Kw dissipation



HIGH
VACUUM
DIODE
TYPE
XD-18

central ELECTRONIC

MANUFACTURERS

DENVILLE, NEW JERSEY

ELECTRICAL (RECTIFIER)

Filament Thoriated Tungsten
Filament Voltage 10 Volts A.C.
Filament Current 120 Amperes
Max. Starting Filament
Surge Current 250 Amperes
Peak Inverse Voltage . . . 40,000 Volts max.
Average Anode Current 15 Amperes
Peak Anode Current 50 Amperes

ELECTRICAL (CLIPPER, SHUNT or CHARGING DIODE)

Filament Voltage 11 Volts A.C.
Filament Current 125 Amperes
RMS Anode Current 15 Amperes
Peak Anode Current 300 Amperes

