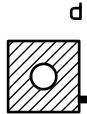




a



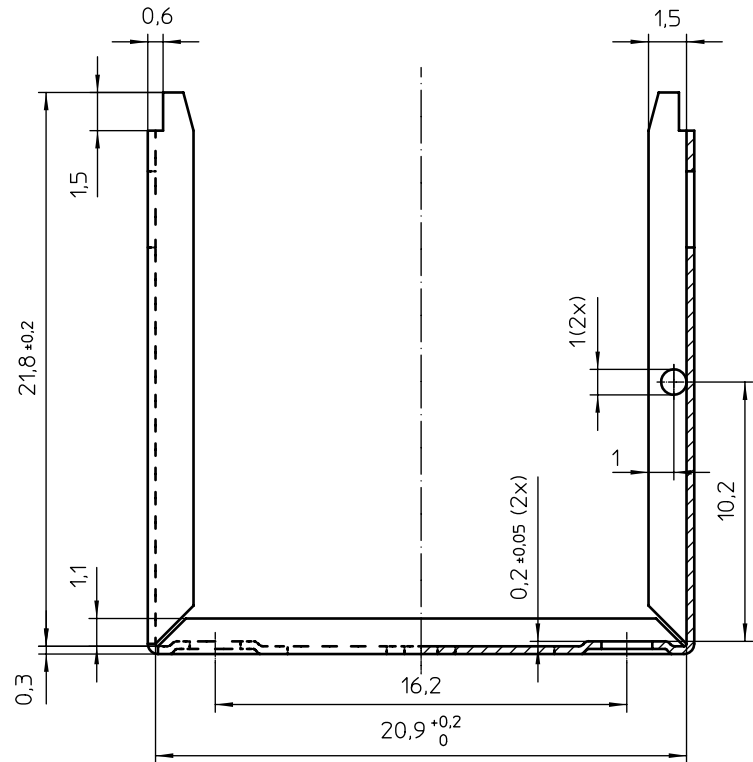
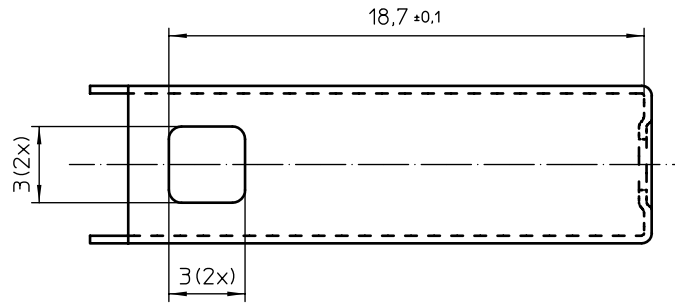
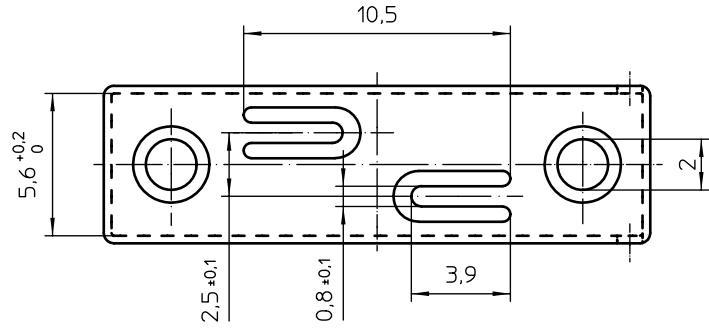
c

c



d

1 2 3 4 5 6 7 8



Material : CuZn - Ni plated

|                             |  |                   |  |
|-----------------------------|--|-------------------|--|
| CLASSNO.                    |  | 91-11-22          |  |
| 97-04-07                    |  | 97-04-07          |  |
| NAME<br>M.Veekens           |  | SUPERV.<br>1      |  |
| MPA                         |  | 112 - 001         |  |
| CHECK<br>CONTR.             |  | 010               |  |
| DAT.                        |  | 91-11-22          |  |
| Property of<br>Eigendom van |  | © FERROXCUBE 2000 |  |
| CLA-E20/10/5                |  | 4322 021 20162    |  |
|                             |  | A3                |  |

1 2 3 4

a  
b  
c  
d