



PMS15A/PMS150C Family

8bit OTP Type IO Controller

Data Sheet

Version 1.08 – July 24, 2020

Copyright © 2020 by PADAUK Technology Co., Ltd., all rights reserved

6F-6, No.1, Sec. 3, Gongdao 5th Rd., Hsinchu City 30069, Taiwan, R.O.C.

TEL: 886-3-572-8688  www.padauk.com.tw

IMPORTANT NOTICE

PADAUK Technology reserves the right to make changes to its products or to terminate production of its products at any time without notice. Customers are strongly recommended to contact PADAUK Technology for the latest information and verify whether the information is correct and complete before placing orders.

PADAUK Technology products are not warranted to be suitable for use in life-support applications or other critical applications. PADAUK Technology assumes no liability for such applications. Critical applications include, but are not limited to, those that may involve potential risks of death, personal injury, fire or severe property damage.

PADAUK Technology assumes no responsibility for any issue caused by a customer's product design. Customers should design and verify their products within the ranges guaranteed by PADAUK Technology. In order to minimize the risks in customers' products, customers should design a product with adequate operating safeguards.

Table of Contents

1. Features	8
1.1. Special features.....	8
1.2. System Features.....	8
1.3. CPU Features.....	8
1.4. Package Information.....	8
2. General Description and Block Diagram	9
3. Pin Functional Description	10
4. Device Characteristics	12
4.1. DC/AC Characteristics.....	12
4.2. Absolute Maximum Ratings.....	13
4.3. Typical IHRC Frequency vs. VDD (calibrated to 16MHz).....	14
4.4. Typical ILRC Frequency vs. VDD.....	14
4.5. Typical IHRC Frequency vs. Temperature (calibrated to 16MHz).....	15
4.6. Typical ILRC Frequency vs. Temperature.....	15
4.7. Typical Operating Current vs. VDD and CLK=IHRC/n.....	16
4.8. Typical Operating Current vs. VDD and CLK=ILRC/n.....	16
4.9. Typical IO pull high resistance.....	17
4.10. Typical IO driving current (I_{OH}) and sink current (I_{OL}).....	17
4.11. Typical IO input high/low threshold voltage (V_{IH}/V_{IL}).....	19
4.12. Typical power down current (I_{PD}) and power save current (I_{PS}).....	20
5. Functional Description	21
5.1. Program Memory – OTP.....	21
5.2. Boot Procedure.....	21
5.2.1. Timing charts for reset conditions.....	22
5.3. Data Memory – SRAM.....	23
5.4. Oscillator and clock.....	23
5.4.1. Internal High RC oscillator and Internal Low RC oscillator.....	23
5.4.2. IHRC calibration.....	23
5.4.3. IHRC Frequency Calibration and System Clock.....	24
5.4.4. System Clock and LVR levels.....	25
5.4.5. System Clock Switching.....	26
5.5. Comparator.....	27

5.5.1.	Internal reference voltage ($V_{\text{internal R}}$).....	28
5.5.2.	Using the comparator	30
5.5.3.	Using the comparator and band-gap 1.20V	31
5.6.	16-bit Timer (Timer16).....	32
5.7.	8-bit timer (Timer2) with PWM generation	33
5.7.1.	Using the Timer2 to generate periodical waveform	34
5.7.2.	Using the Timer2 to generate 8-bit PWM waveform.....	35
5.7.3.	Using the Timer2 to generate 6-bit PWM waveform.....	36
5.8.	Watchdog Timer	37
5.9.	Interrupt.....	38
5.10.	Power-Save and Power-Down	40
5.10.1.	Power-Save mode (“stopexe”)	40
5.10.2.	Power-Down mode (“stopsys”).....	41
5.10.3.	Wake-up	42
5.11.	IO Pins	43
5.12.	Reset	44
6.	IO Registers.....	45
6.1.	ACC Status Flag Register (<i>flag</i>), IO address = 0x00	45
6.2.	Stack Pointer Register (<i>sp</i>), IO address = 0x02.....	45
6.3.	Clock Mode Register (<i>clkmd</i>), IO address = 0x03.....	45
6.4.	Interrupt Enable Register (<i>inten</i>), IO address = 0x04.....	45
6.5.	Interrupt Request Register (<i>intrq</i>), IO address = 0x05	46
6.6.	Timer 16 mode Register (<i>t16m</i>), IO address = 0x06.....	46
6.7.	External Oscillator setting Register (<i>eoscr</i> , <i>write only</i>), IO address = 0x0a.....	46
6.8.	Interrupt Edge Select Register (<i>integs</i>), IO address = 0x0c	47
6.9.	Port A Digital Input Enable Register (<i>padier</i>), IO address = 0x0d	47
6.10.	Port A Data Registers (<i>pa</i>), IO address = 0x10	47
6.11.	Port A Control Registers (<i>pac</i>), IO address = 0x11.....	47
6.12.	Port A Pull-High Registers (<i>paph</i>), IO address = 0x12.....	47
6.13.	MISC Register (<i>misc</i>), IO address = 0x1b	48
6.14.	Comparator Control Register (<i>gpcc</i>), IO address = 0x1A.....	48
6.15.	Comparator Selection Register (<i>gpcs</i>), IO address = 0x1E	49
6.16.	Timer2 Control Register (<i>tm2c</i>), IO address = 0x1C.....	49
6.17.	Timer2 Counter Register (<i>tm2ct</i>), IO address = 0x1D.....	50
6.18.	Timer2 Bound Register (<i>tm2b</i>), IO address = 0x09	50
6.19.	Timer2 Scalar Register (<i>tm2s</i>), IO address = 0x17.....	50

7. Instructions	51
7.1. Data Transfer Instructions	52
7.2. Arithmetic Operation Instructions	55
7.3. Shift Operation Instructions	56
7.4. Logic Operation Instructions	57
7.5. Bit Operation Instructions	59
7.6. Conditional Operation Instructions	59
7.7. System control Instructions	60
7.8. Summary of Instructions Execution Cycle	62
7.9. Summary of affected flags by Instructions	63
7.10. BIT definition	63
8. Code Options	64
9. Special Notes	65
9.1. Warning	65
9.2. Using IC	65
9.2.1. IO pin usage and setting	65
9.2.2. Interrupt	65
9.2.3. System clock switching	66
9.2.4. Power down mode, wakeup and watchdog	66
9.2.5. TIMER time out	66
9.2.6. IHRC	67
9.2.7. LVR	67
9.2.8. Program writing	67
9.3. Using ICE	68

Revision History:

Revision	Date	Description
0.01	2016/03/09	1 st version
0.02	2016/11/03	<ol style="list-style-type: none"> 1. Amend Chapter 2 Block Diagram 2. Amend Chapter 4.1 Pull-high Resistance typical value 3. Add Chapter 5.5 and all descriptions about the Comparator 4. Add Chapter 5.7 and all descriptions about Timer2 with PWM generation
0.03	2017/12/04	<ol style="list-style-type: none"> 1. Amend Section 1.1 System Features 2. Add Section 1.3 Package Information 3. Amend Chapter 3 Pin Functional Description: PMS150C-U06, PMS150C-S08, PMS150C-D08 4. Amend Section 4.1 DC/AC Characteristics: “V_{IL}” and “V_{IH}” 5. Amend Section 4.11 Typical IO input high/low threshold voltage 6. Add Section 4.12. Typical power down current (I_{PD}) and power save current (I_{PS}) 7. Add Section 5.2.1 Timing charts for reset conditions 8. Amend Section 5.4 Oscillator and clock 9. Amend Section 5.4.3 IHRC Frequency Calibration and System Clock 10. Amend Section 5.4.4 System Clock and LVR levels 11. Amend Fig.2 Options of System Clock 12. Amend Section 5.5.2 description about the comparator Case A and Case B 13. Amend Section 5.6 16-bit Timer 14. Amend Section 5.8 Watchdog Timer 15. Amend Section 5.9 Interrupt 16. Amend Fig.12 Hardware diagram of Interrupt controller 17. Amend Section 5.10.1 Power-Save mode 18. Amend Section 5.10.3 Wake-up 19. Amend Section 6.3 Clock Mode Register 20. Amend Section 6.13 MISC Register 21. Amend Section 6.14. Comparator Control Register 22. Amend Section 6.16. Timer2 Control Register 23. Delete the Symbol “pc0” in Chapter 7 24. Add Chapter 8 Code Options 25. Amend Section 9.2.1 IO pin usage and setting 26. Amend Section 9.2.4 Power down mode, wakeup and watchdog 27. Add Section 9.2.6 IHRC 28. Amend Section 9.2.7 LVR 29. Amend Section 9.2.10 Program writing 30. Amend Section 9.3 Using ICE
0.04	2018/01/24	<ol style="list-style-type: none"> 1. Amend the address and phone number of PADAUK Technology Co.,Ltd. 2. Amend Section 1.2 CPU Features 3. Amend Section 5.4.4 System Clock and LVR levels 4. Amend Section 5.5.2 Using the comparator 5. Amend Section 5.5.3 Using the comparator and band-gap 1.20V 6. Amend Section 5.9 Interrupt 7. Amend Section 5.10.1 Power-Save mode 8. Amend Section 5.10.2 Power-Down mode 9. Amend Section 5.10.3 Wake-up 10. Amend Section 6.15 Comparator Selection Register (<i>gpcs</i>)

1.05	2018/11/28	<ol style="list-style-type: none"> 1. Add Section 1.1 2. Amend Section 1.3 CPU Features 3. Amend Chapter 2 and Chapter 3 4. Amend Section 4.3 to 4.12 5. Amend Section 5.4.4 System Clock and LVR levels 6. Amend Section 5.5 Comparator 7. Amend Fig. 3: Hardware diagram of comparator 8. Amend Section 5.7 8-bit timer (Timer2) with PWM generation 9. Amend Section 5.10.1 and 5.10.2 10. Amend Table 4: Differences in wake-up sources between Power-Save mode and Power-Down mode 11. Amend 5S-I-S0xx to PDK5S-I-S01/2(B) 12. Amend Section 7.8 Summary of Instructions Execution Cycle and delete 9.2.8 13. Move Section 9.2.9 BIT definition to Section 7.10 14. Updated the link in Section 9.1 15. Amend Section 9.2.5 TIMER time out 16. Amend Section 9.2.8 Programming Writing
1.06	2019/03/27	<ol style="list-style-type: none"> 1. Add IC chip of PMS15A 2. Replace all the CIN1-/CIN2-/CIN3-/CIN4- with CIN- 3. Amend section 5.7.1, 5.7.2 and 5.7.3: the range of S2 4. Amend chapter 8 Code Option: Security
1.07	2019/10/17	<ol style="list-style-type: none"> 1. Replace PRST# with PRSTB 2. Amend Section 4.1 DC/AC Characteristics: f_{SYS}, I_{OL}, I_{OH} 3. Amend Fig. 3: Hardware diagram of comparator 4. Amend Section 5.2.1 Timing charts for reset conditions 5. Amend Section 5.7 8-bit timer (Timer2) with PWM generation 6. Amend Section 5.10., 5.10.3 7. Amend Section 9.2.8 Programming Writing
1.08	2020/07/24	<ol style="list-style-type: none"> 1. Amend Section 4.1 DC/AC Characteristics: t_{WUP} 2. Add Section 5.4.5 System Clock Switching 3. Amend Section 5.5.2, 5.10.3, 6.9. 6.15, 9.3

1. Features

1.1. Special features

- ◆ General purpose series
- ◆ **Not supposed to use in AC RC step-down powered or high EFT requirement applications.**
PADAUK assumes no liability if such kind of applications can not pass the safety regulation tests.
- ◆ Operating temperature range: -20°C ~ 70°C

1.2. System Features

Series	OTP Program Memory	RAM (byte)	Max IO no.
PMS150C	1KW	64	6
PMS15A	0.5KW	64	6

- ◆ One hardware 16-bit timer
- ◆ One hardware 8-bit timer with PWM generation
- ◆ One general purpose comparator
- ◆ Support fast wake-up
- ◆ Every IO pin can be configured to enable wake-up function
- ◆ 6 IO pins with optional drive/sink current and pull-high resistor
- ◆ Clock sources: internal high RC oscillator and internal low RC oscillator
- ◆ Eight levels of LVR ~ 4.0V, 3.5V, 3.0V, 2.75V, 2.5V, 2.2V, 2.0V, 1.8V
- ◆ One external interrupt pin

1.3. CPU Features

- ◆ One processing unit operating mode
- ◆ 79 Powerful instructions
- ◆ Most instructions are 1T execution cycle
- ◆ Programmable stack pointer and adjustable stack level
- ◆ Direct and indirect addressing modes for data access. Data memories are available for use as an index pointer of Indirect addressing mode
- ◆ IO space and memory space are independent

1.4. Package Information

◆ PMS150C Series

- ✧ PMS150C - U06: SOT23-6 (60mil);
- ✧ PMS150C - S08: SOP8 (150mil);
- ✧ PMS150C - D08: DIP8 (300mil)

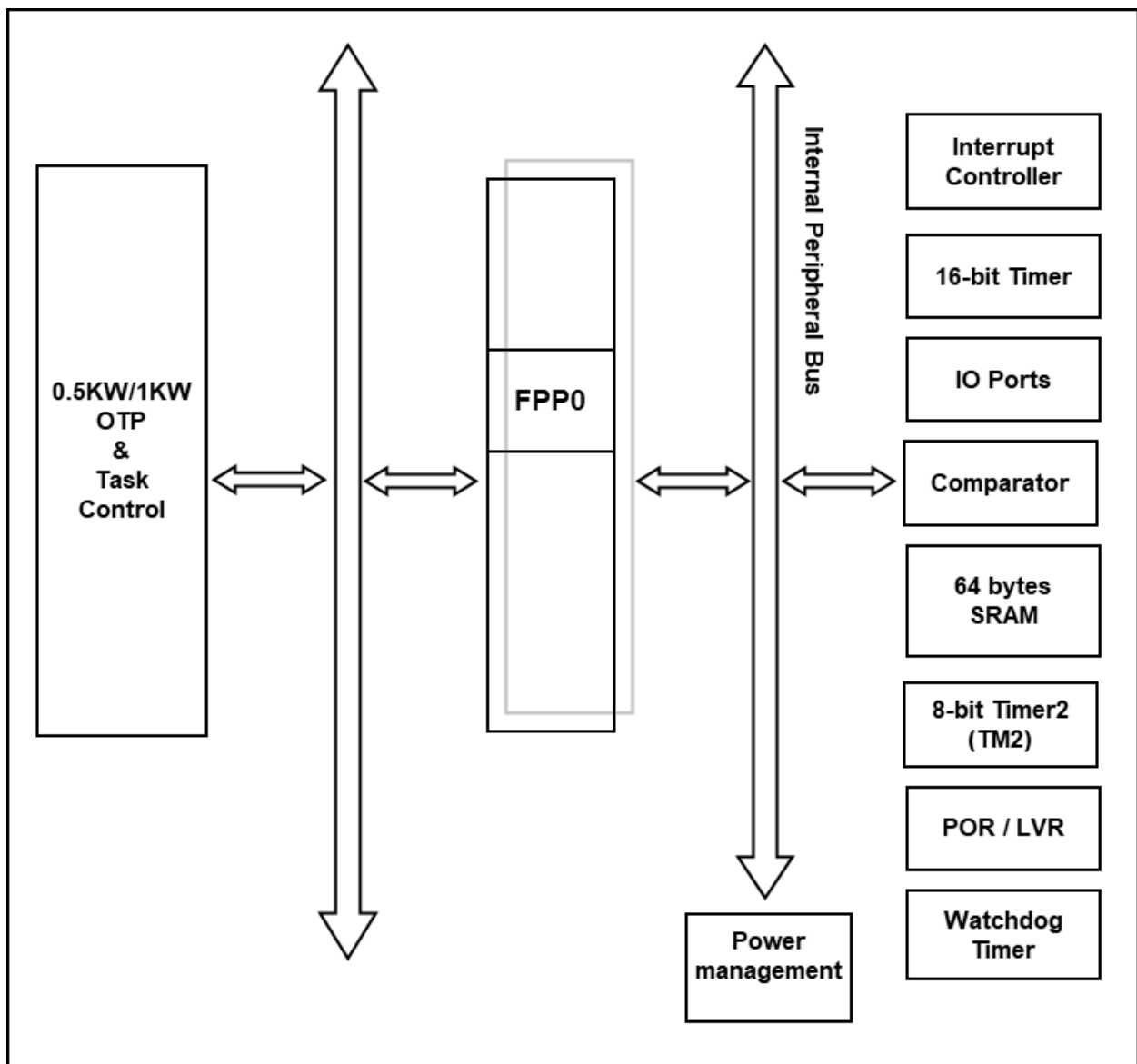
◆ PMS15A Series

- ✧ PMS15A - U06: SOT23-6 (60mil);
- ✧ PMS15A - S08: SOP8 (150mil);
- ✧ PMS15A - D08: DIP8 (300mil)

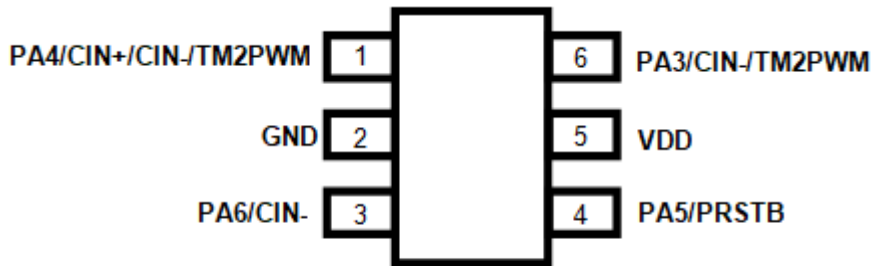
2. General Description and Block Diagram

The PMS15A/PMS150C is an IO-Type, fully static, OTP-based CMOS 8-bit microcontroller; it employs RISC architecture and most the instructions are executed in one cycle except that few instructions are two cycles that handle indirect memory access.

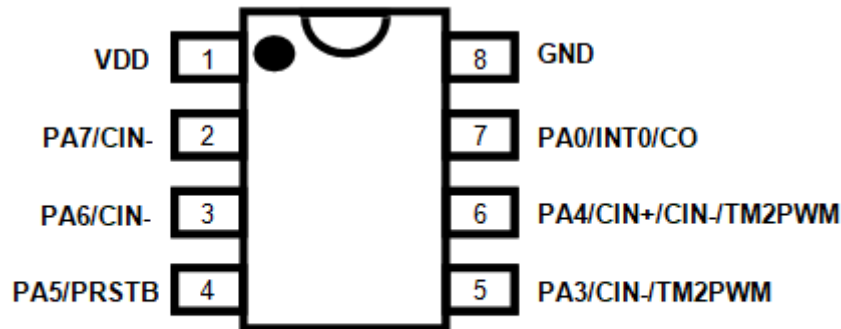
0.5KW/1KW bits OTP program memory and 64 bytes data SRAM are inside. Besides, one hardware 16-bit timer, one hardware 8-bit timer with PWM generation and one general purpose comparator are also provided in the PMS15A/PMS150C.



3. Pin Functional Description



PMS15A/PMS150C-U06 (SOT23-6 60mil)



PMS15A/PMS150C-S08 (SOP8-150mil)

PMS15A/PMS150C-D08 (DIP8-300mil)

Pin Name	Pin & Buffer Type	Description
PA7 / CIN-	IO ST / CMOS / Analog	<p>This pin can be used as:</p> <p>(1) Bit 7 of port A. It can be configured as digital input or two-state output, with pull-high resistor.</p> <p>(2) Minus input source of comparator.</p> <p>When this pin is configured as analog input, please use bit 7 of register <i>padier</i> to disable the digital input to prevent current leakage. This pin can be used to wake-up system during sleep mode; however, wake-up function is also disabled if bit 7 of <i>padier</i> register is "0".</p>
PA6 / CIN-	IO ST / CMOS / Analog	<p>This pin can be used as:</p> <p>(1) Bit 6 of port A. It can be configured as digital input or two-state output, with pull-high resistor.</p> <p>(2) Minus input source of comparator.</p> <p>When this pin is configured as analog input, please use bit 6 of register <i>padier</i> to disable the digital input to prevent current leakage. This pin can be used to wake-up system during sleep mode; however, wake-up function is also disabled if bit 6 of <i>padier</i> register is "0".</p>

PMS15A/PMS150C Family

8 bit OTP Type IO Controller

Pin Name	Pin & Buffer Type	Description
PA5 / PRSTB	IO ST / CMOS	<p>The functions of this pin can be:</p> <p>(1) Bit 5 of port A. It can be configured as digital input or open-drain output, with pull-high resistor.</p> <p>(2) Hardware reset.</p> <p>This pin can be used to wake-up system during sleep mode; however, wake-up function is also disabled if bit 5 of padier register is "0".</p> <p>Please put 33Ω resistor in series to have high noise immunity when this pin is in input mode.</p>
PA4 / CIN+ / CIN- / TM2PWM	IO ST / CMOS / Analog	<p>This pin can be used as:</p> <p>(1) Bit 4 of port A. It can be configured as digital input or two-state output, with pull-high resistor.</p> <p>(2) Plus input source of comparator.</p> <p>(3) Minus input source of comparator.</p> <p>(4) Output of 8-bit Timer2 (TM2)</p> <p>When this pin is configured as analog input, please use bit 4 of register padier to disable the digital input to prevent current leakage. This pin can be used to wake-up system during sleep mode; however, wake-up function is also disabled if bit 4 of padier register is "0".</p>
PA3 / CIN- / TM2PWM	IO ST / CMOS / Analog	<p>This pin can be used as:</p> <p>(1) Bit 3 of port A. It can be configured as digital input or two-state output, with pull-high resistor.</p> <p>(2) Minus input source of comparator.</p> <p>(3) Output of 8-bit Timer2 (TM2)</p> <p>When this pin is configured as analog input, please use bit 3 of register padier to disable the digital input to prevent current leakage. This pin can be used to wake-up system during sleep mode; however, wake-up function is also disabled if bit 3 of padier register is "0".</p>
PA0 / INT0 / CO	IO ST / CMOS	<p>The functions of this pin can be:</p> <p>(1) Bit 0 of port A. It can be configured as digital input or output with pull-up resistor.</p> <p>(2) External interrupt line 0. <u>Both rising edge and falling edge are accepted to request interrupt service.</u></p> <p>(3) Output of comparator</p> <p>This pin can be used to wake up system during sleep mode; however, wake-up function from this pin is also disabled when bit 0 of padier register is "0".</p>
VDD		Positive power
GND		Ground
Notes: IO: Input/Output; ST: Schmitt Trigger input; Analog: Analog input pin; CMOS: CMOS voltage level		

4. Device Characteristics

4.1. DC/AC Characteristics

All data are acquired under the conditions of $V_{DD}=5.0V$, $f_{SYS}=2MHz$ unless noted.

Symbol	Description	Min	Typ	Max	Unit	Conditions
V_{DD}	Operating Voltage	2.0*		5.5	V	* Subject to LVR tolerance
LVR%	Low Voltage Reset tolerance	-5		5	%	
f_{SYS}	System clock (CLK)* = IHRC/2 IHRC/4 IHRC/8 ILRC	0 0 0		8M 4M 2M	Hz	$V_{DD} \geq 3.0V$ $V_{DD} \geq 2.2V$ $V_{DD} \geq 2.0V$ $V_{DD} = 5.0V$
V_{POR}	Power On Reset Voltage	1.9	2.0	2.1	V	
I_{OP}	Operating Current		0.3 13		mA uA	$f_{SYS}=IHRC/16=1MIPS@3.3V$ $f_{SYS}=ILRC=62kHz@3.3V$
I_{PD}	Power Down Current (by stopsys command)		0.5		uA	$f_{SYS}=0Hz$, $V_{DD}=3.3V$
I_{PS}	Power Save Current (by stopexe command)		3		uA	$V_{DD}=3.3V$; Band-gap, LVR, IHRC are OFF, ILRC module is ON.
V_{IL}	Input low voltage for IO lines	0		$0.1 V_{DD}$	V	
V_{IH}	Input high voltage for IO lines	$0.8 V_{DD}$ $0.6 V_{DD}$		V_{DD} V_{DD}	V	PA5 Others IO
I_{OL}	IO lines sink current PA5 Normal Other IO Normal PA5 Low Other IO Low		26.5 14.5 6 5.0		mA	$V_{DD}=5.0V$, $V_{OL}=0.5V$
I_{OH}	IO lines drive current PA5 Normal/Low Other IO Normal Other IO Low		0 -12 -3.5		mA	$V_{DD}=5.0V$, $V_{OH}=4.5V$
V_{IN}	Input voltage	-0.3		$V_{DD}+0.3$	V	
$I_{INJ(PIN)}$	Injected current on pin			1	mA	$V_{DD} + 0.3 \geq V_{IN} \geq -0.3$
R_{PH}	Pull-high Resistance		100 220		K Ω	$V_{DD}=5.0V$ $V_{DD}=3.3V$
f_{IHRC}	Frequency of IHRC after calibration*	15.76* 15.20*	16* 16*	16.24* 16.80*	MHz	@25°C $V_{DD}=2.0V\sim 5.5V$, $-20^{\circ}C < Ta < 70^{\circ}C$ *
f_{ILRC}	Frequency of ILRC*		62*		KHz	$V_{DD}=5.0V$, $-20^{\circ}C < Ta < 70^{\circ}C$ *
t_{INT}	Interrupt pulse width	30			ns	$V_{DD}=5.0V$
V_{DR}	RAM data retention voltage*	1.5			V	In power-down mode.

PMS15A/PMS150C Family

8 bit OTP Type IO Controller

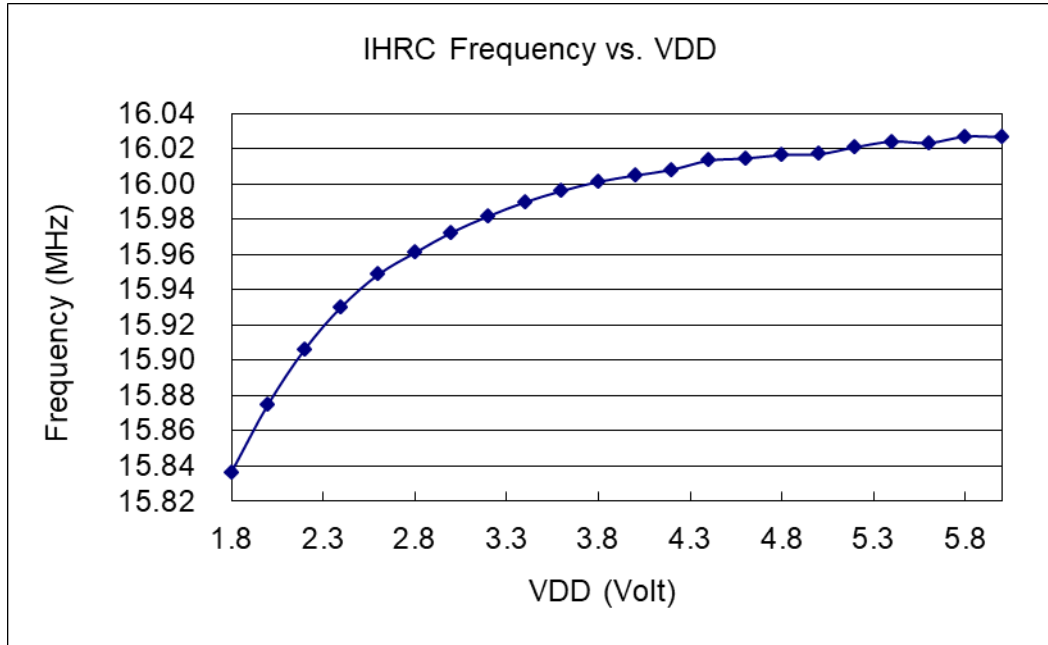
Symbol	Description	Min	Typ	Max	Unit	Conditions
t _{WDT}	Watchdog timeout period		8k		ILRC clock period	misc[1:0]=00 (default)
			16k			misc[1:0]=01
			64k			misc[1:0]=10
			256k			misc[1:0]=11
t _{SBP}	System boot-up period from power-on (Fast boot up)		780		us	@ V _{DD} =5V @ V _{DD} =2.5V
	System boot-up period from power-on (Slow boot up)		47		ms	@ V _{DD} =5V @ V _{DD} =2.5V
t _{WUP}	Wake-up time for fast wake-up (misc.5=1)		32		T _{ILRC}	Where T _{ILRC} is the clock period of ILRC
	Wake-up time for slow wake-up (misc.5=0)		2048		T _{ILRC}	Where T _{ILRC} is the clock period of ILRC
t _{RST}	External reset pulse width	120			us	@ V _{DD} =5V
CP _{os}	Comparator offset*		±10	±20	mV	
CP _{cm}	Comparator input common mode*	0		V _{DD} +1.5	V	
CP _{spt}	Comparator response time*		100	500	ns	Both Rising and Falling
CP _{mc}	Stable time to change comparator mode		2.5	7.5	us	
CP _{cs}	Comparator current consumption		20		uA	V _{DD} = 3.3V

*These parameters are for design reference, not tested for every chip.

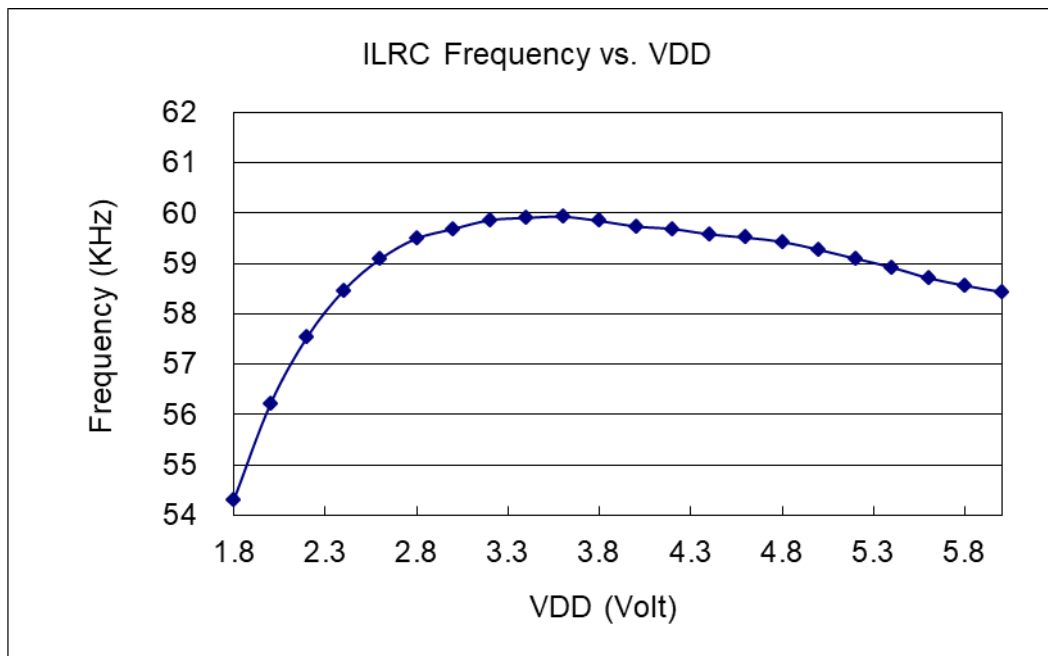
4.2. Absolute Maximum Ratings

- Supply Voltage 2.0V ~ 5.5V (Maximum Rating: 5.5V)
*If V_{DD} over maximum rating, it may lead to a permanent damage of IC.
- Input Voltage -0.3V ~ V_{DD} + 0.3V
- Operating Temperature -20°C ~ 70°C
- Storage Temperature -50°C ~ 125°C
- Junction Temperature 150°C

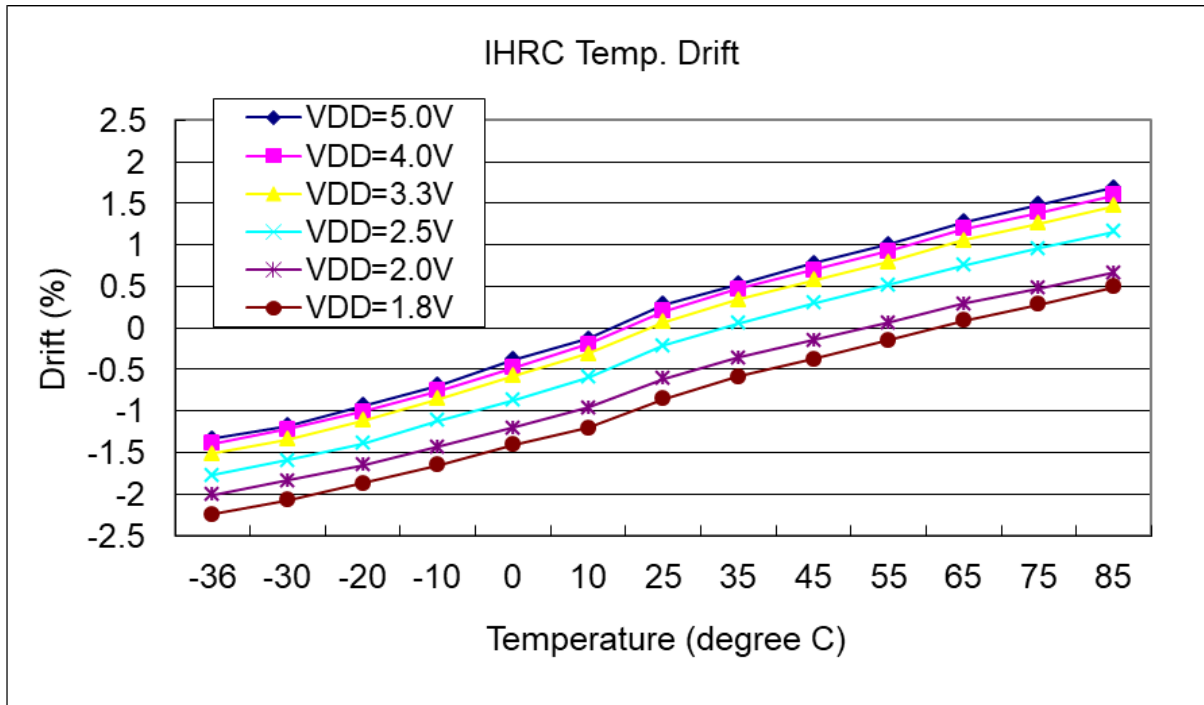
4.3. Typical IHRC Frequency vs. VDD (calibrated to 16MHz)



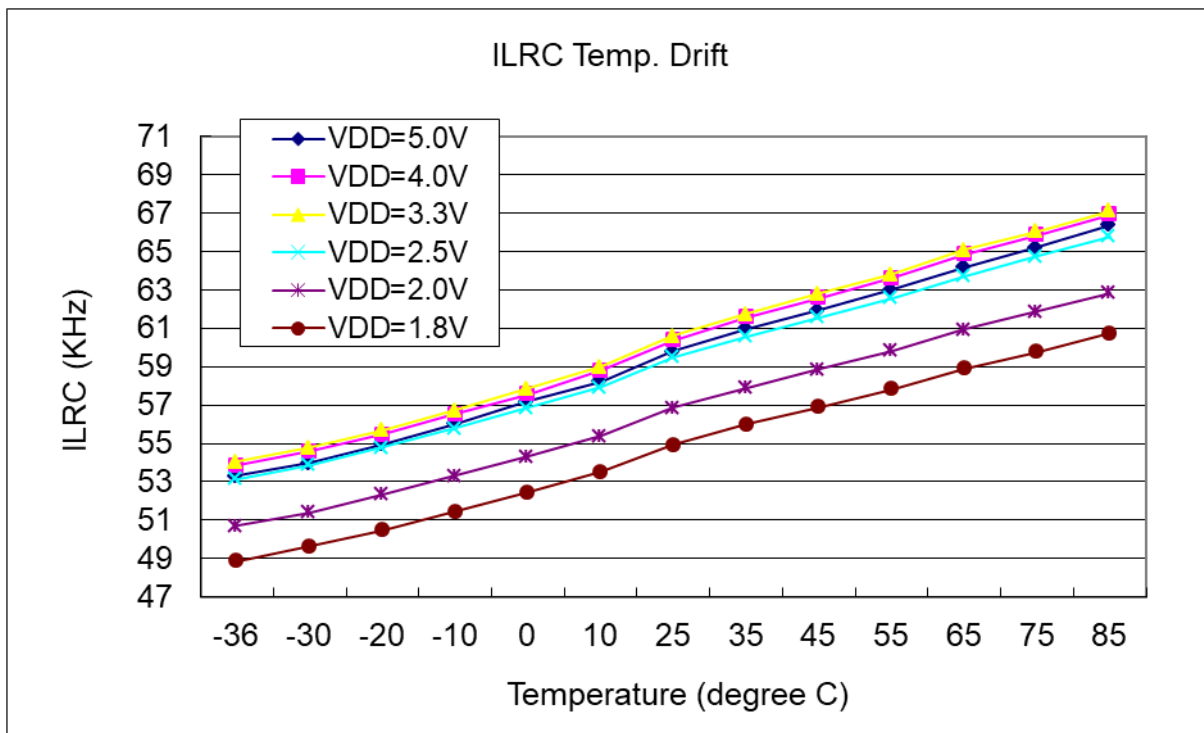
4.4. Typical ILRC Frequency vs. VDD



4.5. Typical IHRC Frequency vs. Temperature (calibrated to 16MHz)



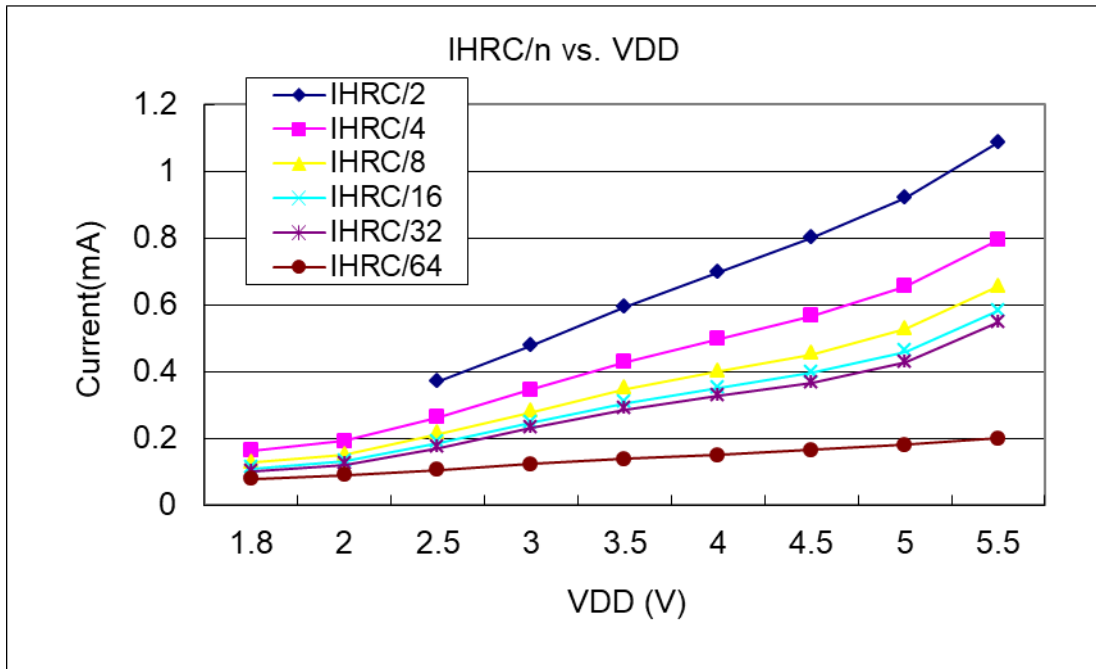
4.6. Typical ILRC Frequency vs. Temperature



4.7. Typical Operating Current vs. VDD and CLK=IHRC/n

Conditions: **ON**: Band-gap, LVR, IHRC, T16 modules; **OFF**: ILRC modules;

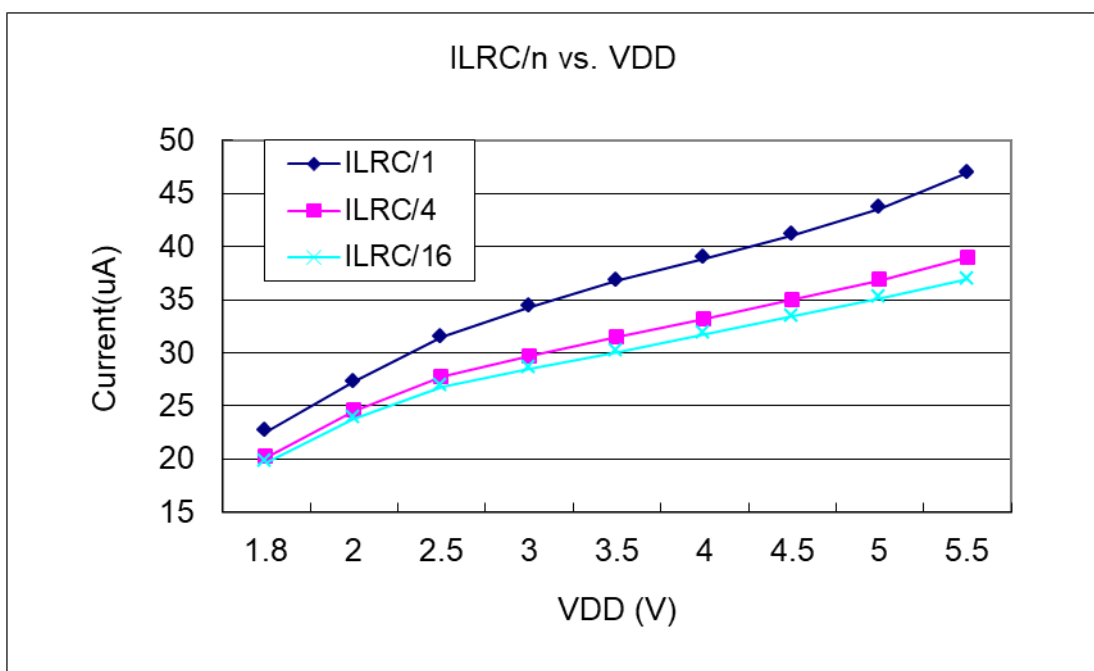
IO: PA0:0.5Hz output toggle and no loading, others: input and no floating



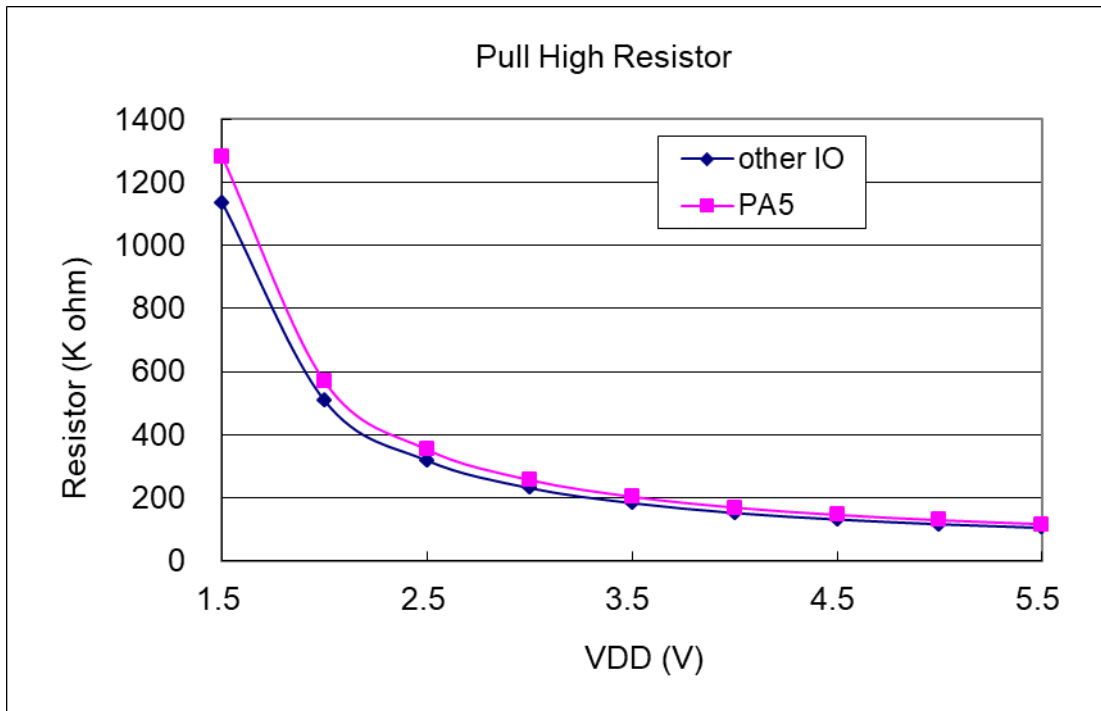
4.8. Typical Operating Current vs. VDD and CLK=ILRC/n

Conditions: **ON**: T16 modules; **OFF**: Band-gap, LVR, ILRC, IHRC modules;

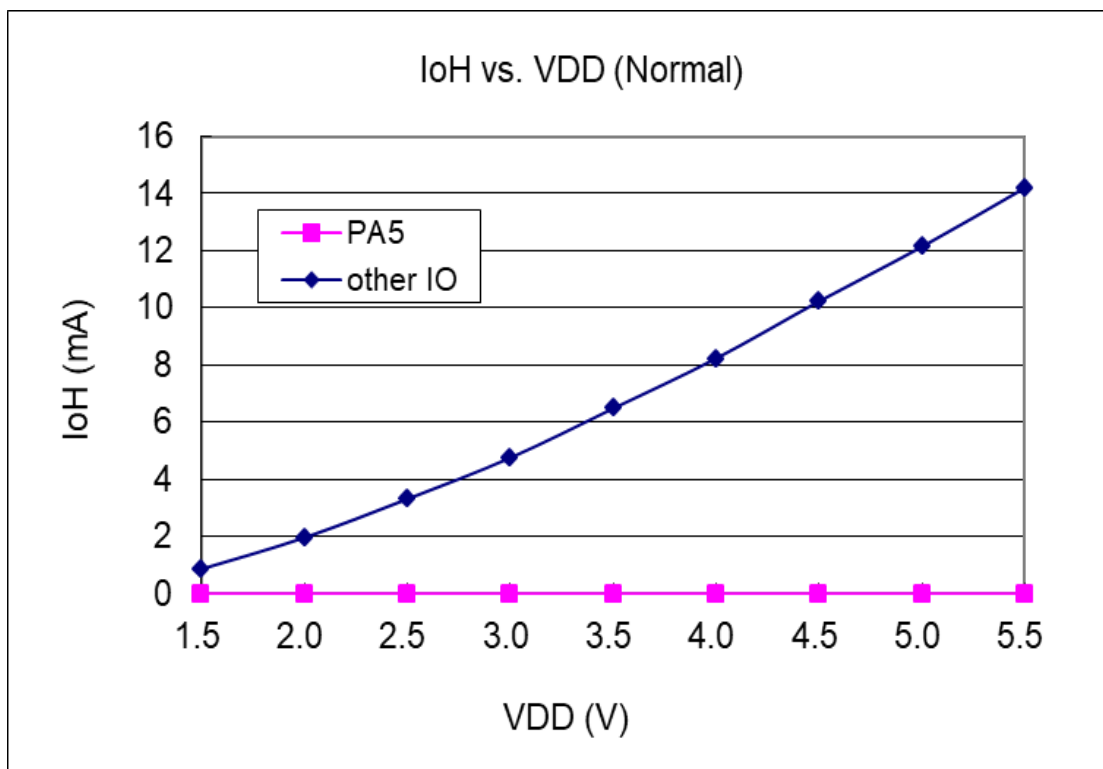
IO: PA0:0.5Hz output toggle and no loading, others: input and no floating

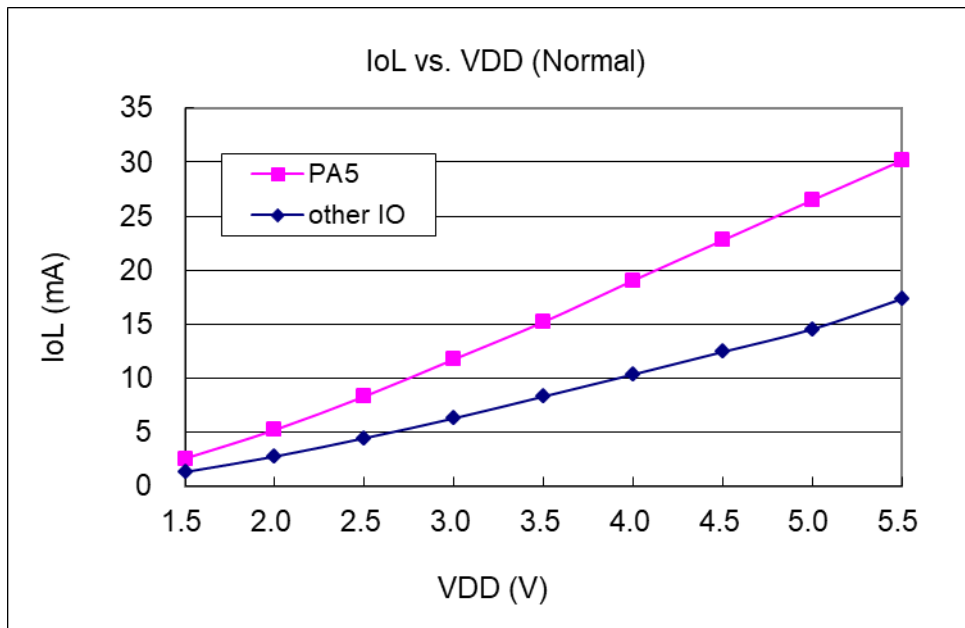
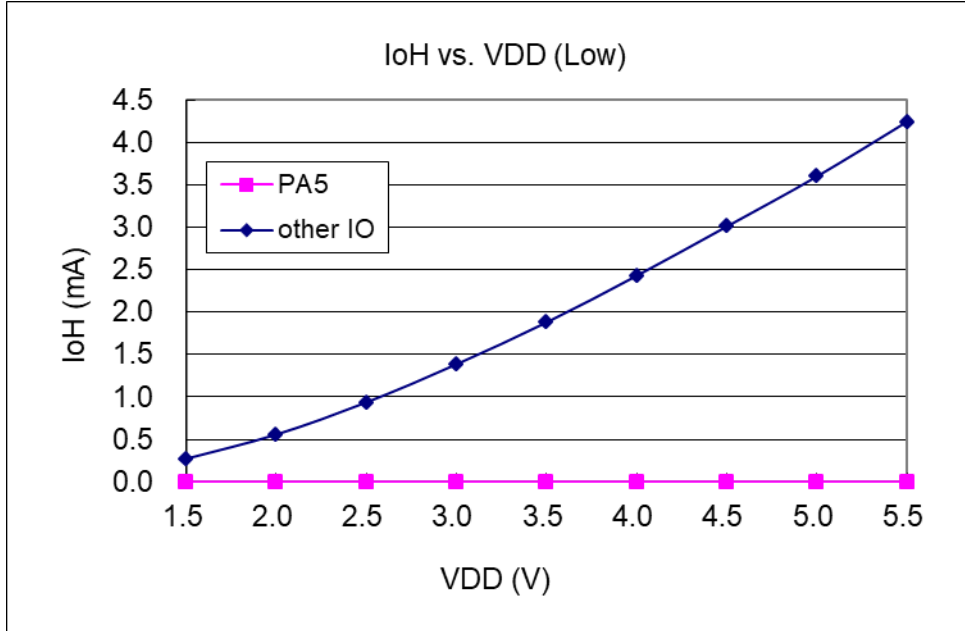


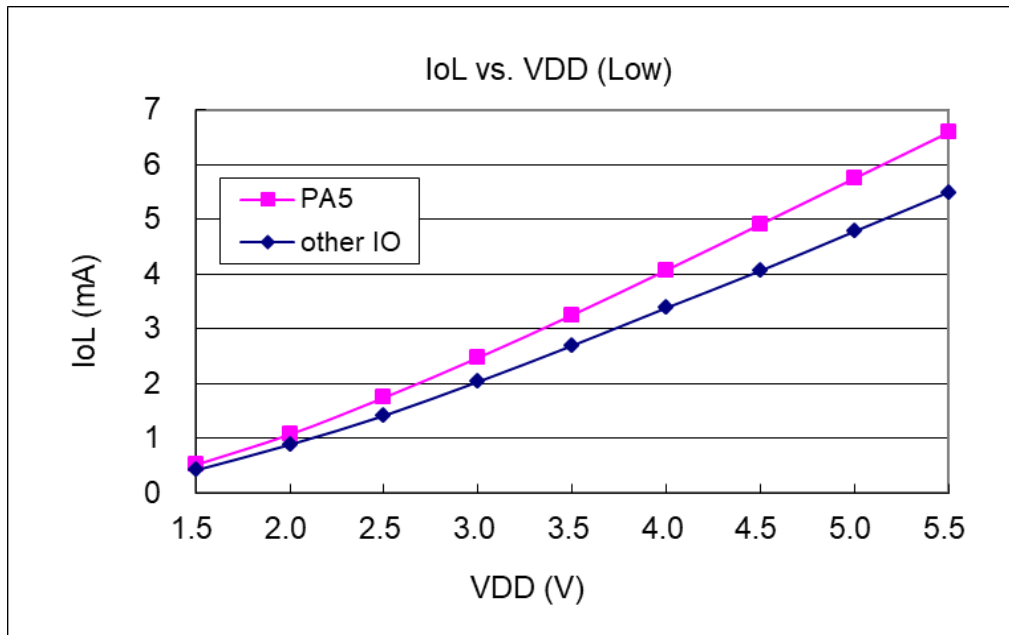
4.9. Typical IO pull high resistance



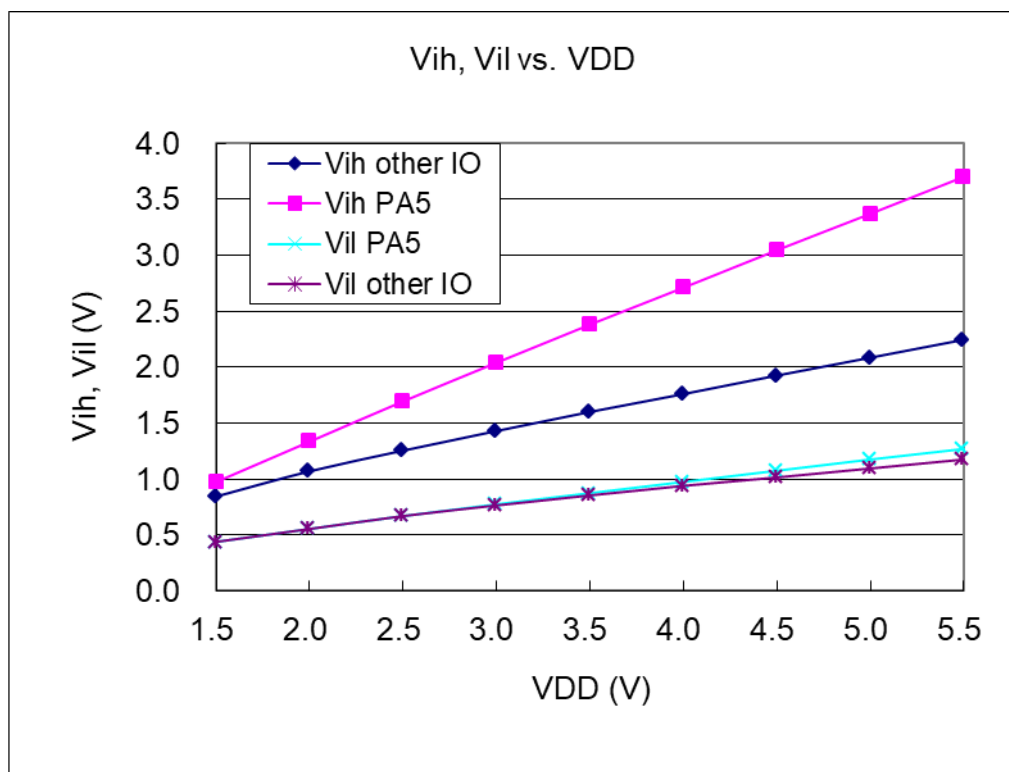
4.10. Typical IO driving current (I_{OH}) and sink current (I_{OL}) ($V_{OH}=0.9 \cdot V_{DD}$, $V_{OL}=0.1 \cdot V_{DD}$)



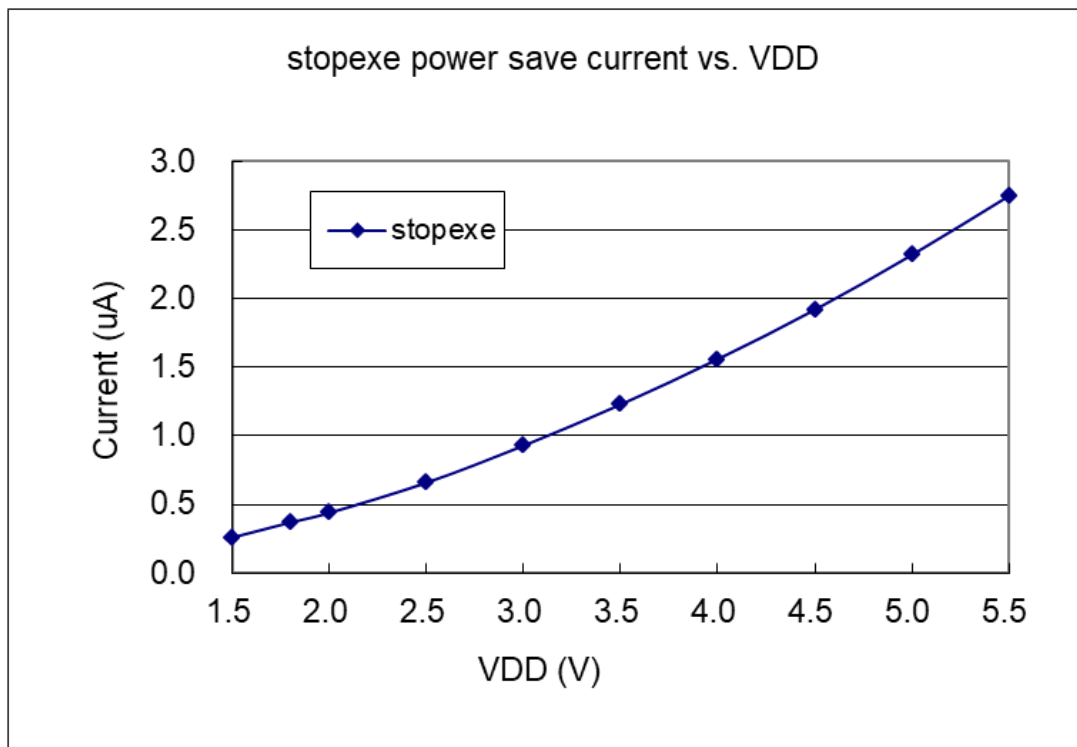
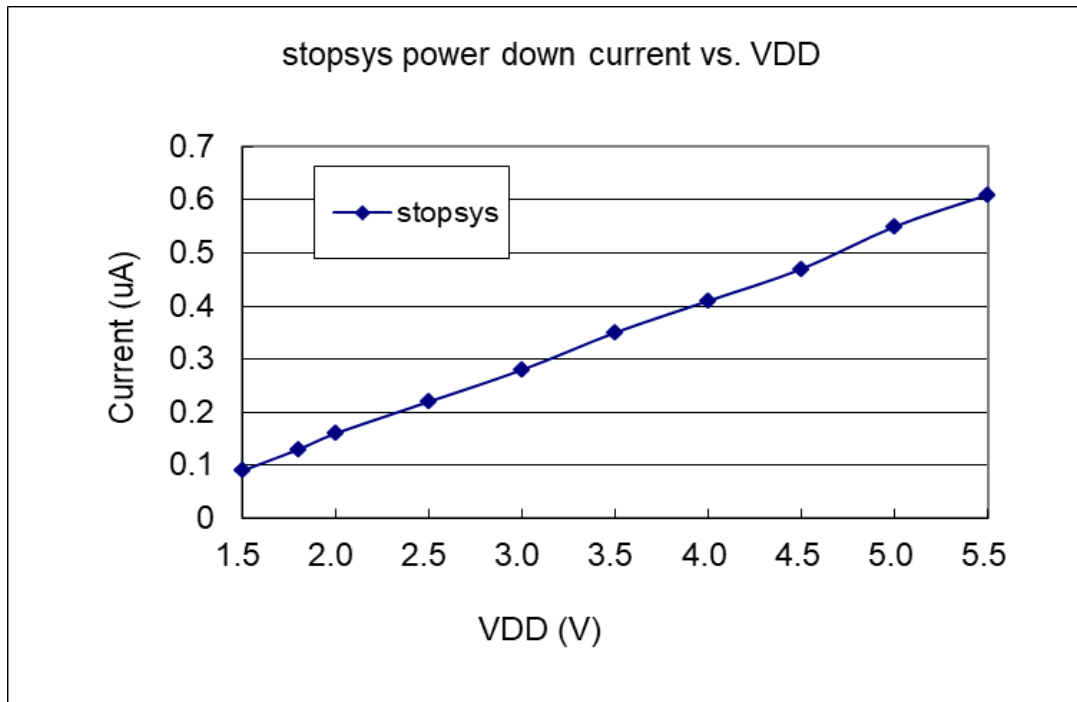




4.11. Typical IO input high/low threshold voltage (V_{IH}/V_{IL})



4.12. Typical power down current (I_{PD}) and power save current (I_{PS})



5. Functional Description

5.1. Program Memory – OTP

The OTP (One Time Programmable) program memory is used to store the program instructions to be executed. The OTP program memory may contains the data, tables and interrupt entry. After reset, the initial address for FPP0 is 0x000. The interrupt entry is 0x010 if used, the last 16 addresses are reserved for system using, like checksum, serial number, etc. The OTP program memory for PMS15A/PMS150C is 0.5KW/1KW that is partitioned as Table 1. The OTP memory from address 0x3F0 to 0x3FF is for system using, address space from 0x001 to 0x00F and from 0x011 to 0x3EF is user program space.

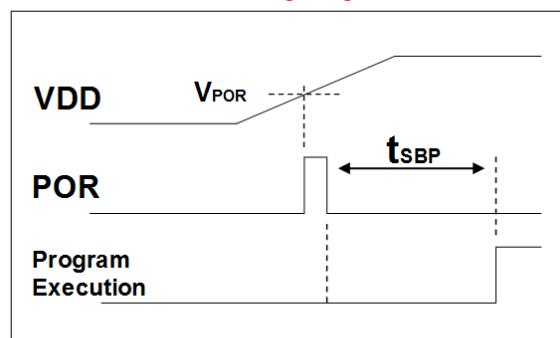
Address	Function
0x000	FPP0 reset – goto instruction
0x001	User program
•	•
•	•
0x00F	User program
0x010	Interrupt entry address
0x011	User program
•	•
0x1FF	User program
0x200	User program
•	• (Not for PMS15A)
0x3EF	User program
0x3F0	System Using
•	•
0x3FF	System Using

Table 1: Program Memory Organization

5.2. Boot Procedure

POR (Power-On-Reset) is used to reset PMS15A/PMS150C when power up, the boot up time can be optional fast or slow, time for fast boot-up is about 32 ILRC clock cycles and 2048 ILRC clock cycles for slow boot-up. Customer must ensure the stability of supply voltage after power up no matter which option is chosen, the power up sequence is shown in the Fig. 1 and t_{SBP} is the boot-up time.

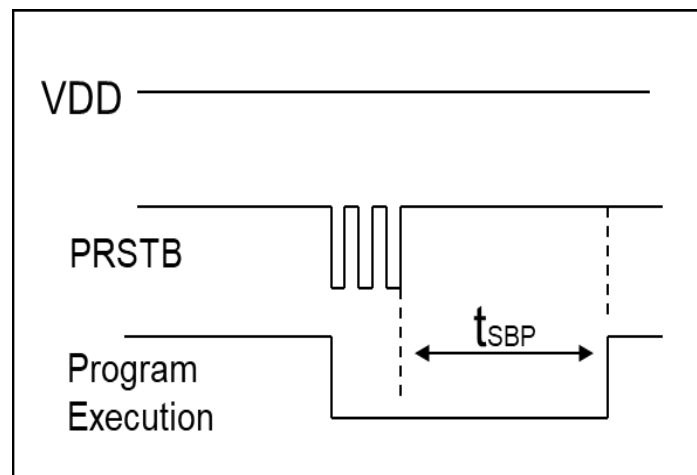
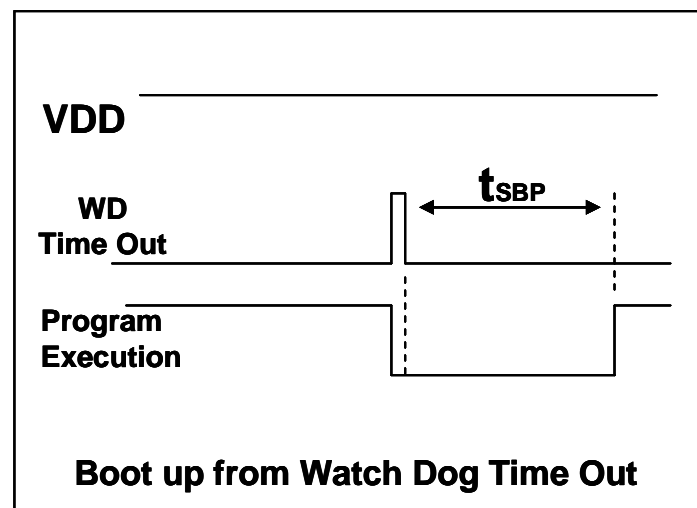
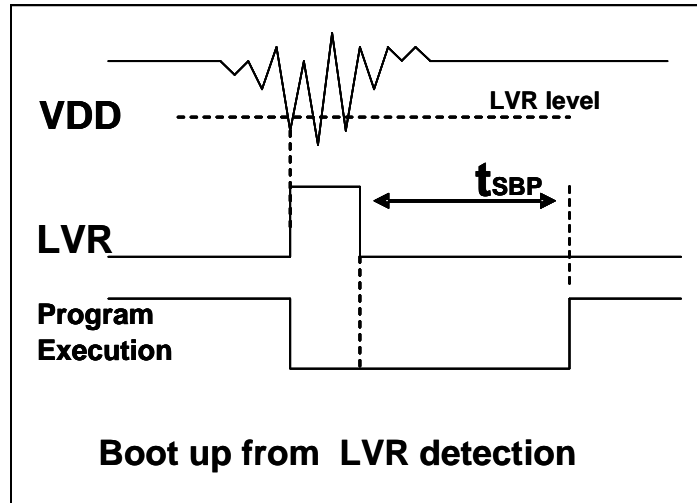
Please noted, during Power-On-Reset, the V_{DD} must go higher than V_{POR} to boot-up the MCU.



Boot up from Power-On Reset

Fig. 1: Power Up Sequence

5.2.1. Timing charts for reset conditions



5.3. Data Memory – SRAM

The access of data memory can be byte or bit operation. Besides data storage, the SRAM data memory is also served as data pointer of indirect access method and the stack memory.

The stack memory is defined in the data memory. The stack pointer is defined in the stack pointer register; the depth of stack memory of each processing unit is defined by the user. The arrangement of stack memory fully flexible and can be dynamically adjusted by the user.

For indirect memory access mechanism, the data memory is used as the data pointer to address the data byte. All the data memory could be the data pointer; it's quite flexible and useful to do the indirect memory access. All the 64 bytes data memory of PMS15A/PMS150C can be accessed by indirect access mechanism.

5.4. Oscillator and clock

There are two oscillator circuits provided by PMS15A/PMS150C: internal high RC oscillator (IHRC) and internal low RC oscillator (ILRC), and these two oscillators are enabled or disabled by registers `clkmd.4` and `clkmd.2` independently. User can choose one of these two oscillators as system clock source and use ***clkmd*** register to target the desired frequency as system clock to meet different application.

Oscillator Module	Enable/Disable
IHRC	<code>clkmd.4</code>
ILRC	<code>clkmd.2</code>

5.4.1. Internal High RC oscillator and Internal Low RC oscillator

After boot-up, the IHRC and ILRC oscillators are enabled. The frequency of IHRC can be calibrated to eliminate process variation by ***ihrcr*** register; normally it is calibrated to 16MHz. The frequency deviation can be within 2% normally after calibration and it still drifts slightly with supply voltage and operating temperature. Please refer to the measurement chart for IHRC frequency verse V_{DD} and IHRC frequency verse temperature.

The frequency of ILRC will vary by process, supply voltage and temperature, please refer to DC specification and do not use for accurate timing application.

5.4.2. IHRC calibration

The IHRC frequency may be different chip by chip due to manufacturing variation, PMS15A/PMS150C provide the IHRC frequency calibration to eliminate this variation, and this function can be selected when compiling user's program and the command will be inserted into user's program automatically. The calibration command is shown as below:

```
.ADJUST_IC      SYSCLK=IHRC/(p1), IHRC=(p2)MHz, VDD=(p3)V
```

Where,

p1=2, 4, 8, 16, 32; In order to provide different system clock.

p2=14 ~ 18; In order to calibrate the chip to different frequency, 16MHz is the usually one.

p3=2.2 ~ 5.5; In order to calibrate the chip under different supply voltage.

5.4.3. IHRC Frequency Calibration and System Clock

During compiling the user program, the options for IHRC calibration and system clock are shown as Table 2:

SYSCLK	CLKMD	IHRCR	Description
○ Set IHRC / 2	= 34h (IHRC / 2)	Calibrated	IHRC calibrated to 16MHz, CLK=8MHz (IHRC/2)
○ Set IHRC / 4	= 14h (IHRC / 4)	Calibrated	IHRC calibrated to 16MHz, CLK=4MHz (IHRC/4)
○ Set IHRC / 8	= 3Ch (IHRC / 8)	Calibrated	IHRC calibrated to 16MHz, CLK=2MHz (IHRC/8)
○ Set IHRC / 16	= 1Ch (IHRC / 16)	Calibrated	IHRC calibrated to 16MHz, CLK=1MHz (IHRC/16)
○ Set IHRC / 32	= 7Ch (IHRC / 32)	Calibrated	IHRC calibrated to 16MHz, CLK=0.5MHz (IHRC/32)
○ Set ILRC	= E4h (ILRC / 1)	Calibrated	IHRC calibrated to 16MHz, CLK=ILRC
○ Disable	No change	No Change	IHRC not calibrated, CLK not changed

Table 2: Options for IHRC Frequency Calibration

Usually, `.ADJUST_IC` will be the first command after boot up, in order to set the target operating frequency whenever starting the system. The program code for IHRC frequency calibration is executed only one time that occurs in writing the codes into OTP memory; after then, it will not be executed again. If the different option for IHRC calibration is chosen, the system status is also different after boot. The following shows the status of PMS15A/PMS150C for different option:

- (1) `.ADJUST_IC` `SYSCLK=IHRC/2, IHRC=16MHz, VDD=5V`
 After boot up, `CLKMD = 0x34` :
 - ◆ IHRC frequency is calibrated to 16MHz@V_{DD}=5V and IHRC module is enabled
 - ◆ System CLK = IHRC/2 = 8MHz
 - ◆ Watchdog timer is disabled, ILRC is enabled, PA5 is in input mode

- (2) `.ADJUST_IC` `SYSCLK=IHRC/4, IHRC=16MHz, VDD=3.3V`
 After boot, `CLKMD = 0x14` :
 - ◆ IHRC frequency is calibrated to 16MHz@V_{DD}=3.3V and IHRC module is enabled
 - ◆ System CLK = IHRC/4 = 4MHz
 - ◆ Watchdog timer is disabled, ILRC is enabled, PA5 is in input mode

- (3) `.ADJUST_IC` `SYSCLK=IHRC/8, IHRC=16MHz, VDD=2.5V`
 After boot, `CLKMD = 0x3C` :
 - ◆ IHRC frequency is calibrated to 16MHz@V_{DD}=2.5V and IHRC module is enabled
 - ◆ System CLK = IHRC/8 = 2MHz
 - ◆ Watchdog timer is disabled, ILRC is enabled, PA5 is in input mode

- (4) `.ADJUST_IC` `SYSCLK=IHRC/16, IHRC=16MHz, VDD=2.2V`
 After boot, `CLKMD = 0x1C` :
 - ◆ IHRC frequency is calibrated to 16MHz@V_{DD}=2.2V and IHRC module is enabled
 - ◆ System CLK = IHRC/16 = 1MHz
 - ◆ Watchdog timer is disabled, ILRC is enabled, PA5 is in input mode

- (5) `.ADJUST_IC` `SYSCLK=IHRC/32, IHRC=16MHz, VDD=5V`
 After boot, `CLKMD = 0x7C` :
- ◆ IHRC frequency is calibrated to 16MHz@V_{DD}=5V and IHRC module is enabled
 - ◆ System CLK = IHRC/32 = 500KHz
 - ◆ Watchdog timer is disabled, ILRC is enabled, PA5 is in input mode
- (6) `.ADJUST_IC` `SYSCLK=ILRC, IHRC=16MHz, VDD=5V`
 After boot, `CLKMD = 0XE4` :
- ◆ IHRC frequency is calibrated to 16MHz@V_{DD}=5V and IHRC module is disabled
 - ◆ System CLK = ILRC
 - ◆ Watchdog timer is disabled, ILRC is enabled, PA5 is input mode
- (7) `.ADJUST_IC` `DISABLE`
 After boot, `CLKMD` is not changed (Do nothing) :
- ◆ IHRC is not calibrated.
 - ◆ System CLK = ILRC or IHRC/64 (by Boot-up_Time)
 - ◆ Watchdog timer is enabled, ILRC is enabled, PA5 is in input mode

5.4.4. System Clock and LVR levels

The clock source of system clock comes from IHRC or ILRC, the hardware diagram of system clock in the PMS15A/PMS150C is shown as Fig. 2.

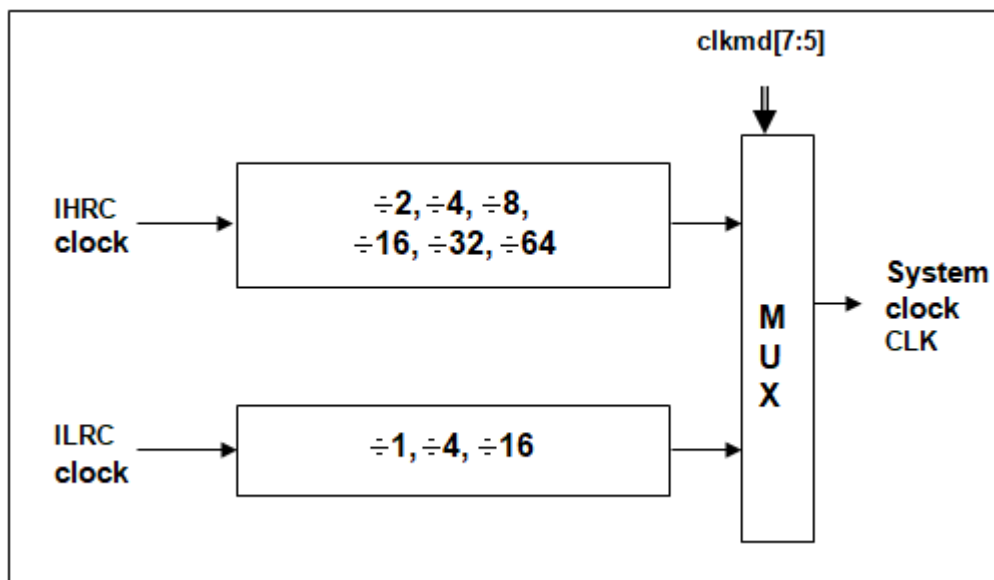


Fig. 2: Options of System Clock

User can choose different operating system clock depends on its requirement; the selected operating system clock should be combined with supply voltage and LVR level to make system stable. The LVR level will be selected during compilation. Please refer to Section 4.1.

5.4.5. System Clock Switching

After IHRC calibration, user may want to switch system clock to a new frequency or may switch system clock at any time to optimize the system performance and power consumption. Basically, the system clock of PMS15A/PMS150C can be switched among IHRC and ILRC by setting the **clkmd** register at any time; system clock will be the new one after writing to **clkmd** register immediately. Please notice that the original clock module can NOT be turned off at the same time as writing command to **clkmd** register. The examples are shown as below and more information about clock switching, please refer to the “Help” -> “Application Note” -> “IC Introduction” -> “Register Introduction” -> CLKMD”.

Case 1: Switching system clock from ILRC to IHRC/2

```

...                               // system clock is ILRC
CLKMD.4      = 1;                // turn on IHRC first to improve anti-interference ability
CLKMD        = 0x34 ;           // switch to IHRC/2, ILRC CAN NOT be disabled here
// CLKMD.2    = 0 ;              // if need, ILRC CAN be disabled at this time
...

```

Case 2: Switching system clock from IHRC/2 to ILRC

```

...                               // system clock is IHRC/2
CLKMD        = 0xF4 ;           // switch to ILRC , IHRC CAN NOT be disabled here
CLKMD.4     = 0 ;              // IHRC CAN be disabled at this time
...

```

Case 3: Switching system clock from IHRC/2 to IHRC/4

```

...                               // system clock is IHRC/2, ILRC is enabled here
CLKMD        = 0X14 ;          // switch to IHRC/4
...

```

Case 4: System may hang if it is to switch clock and turn off original oscillator at the same time

```

...                               // system clock is ILRC
CLKMD        = 0x30 ;          // CAN NOT switch clock from ILRC to IHRC/2 and
                               // turn off ILRC oscillator at the same time

```

5.5. Comparator

One hardware comparator is built inside the PMS15A/PMS150C; Fig. 3 shows its hardware diagram. It can compare signals between two pins or with either internal reference voltage $V_{\text{internal R}}$ or internal band-gap reference voltage. The two signals to be compared, one is the plus input and the other one is the minus input. For the minus input of comparator can be PA3, PA4, Internal band-gap 1.20V, PA6, PA7 or $V_{\text{internal R}}$ selected by bit [3:1] of gpcc register, and the plus input of comparator can be PA4 or $V_{\text{internal R}}$ selected by bit 0 of gpcc register.

The comparator result can be selected through gpcc.7 to forcibly output to PA0 whatever it is input or output state. It can be a direct output, or sampled by Timer2 clock (TM2_CLK) which comes from Timer2 module through gpcc.5. The output polarity can be also inverted by setting gpcc.4 register, the comparator output can be used to request interrupt service or read through gpcc.6.

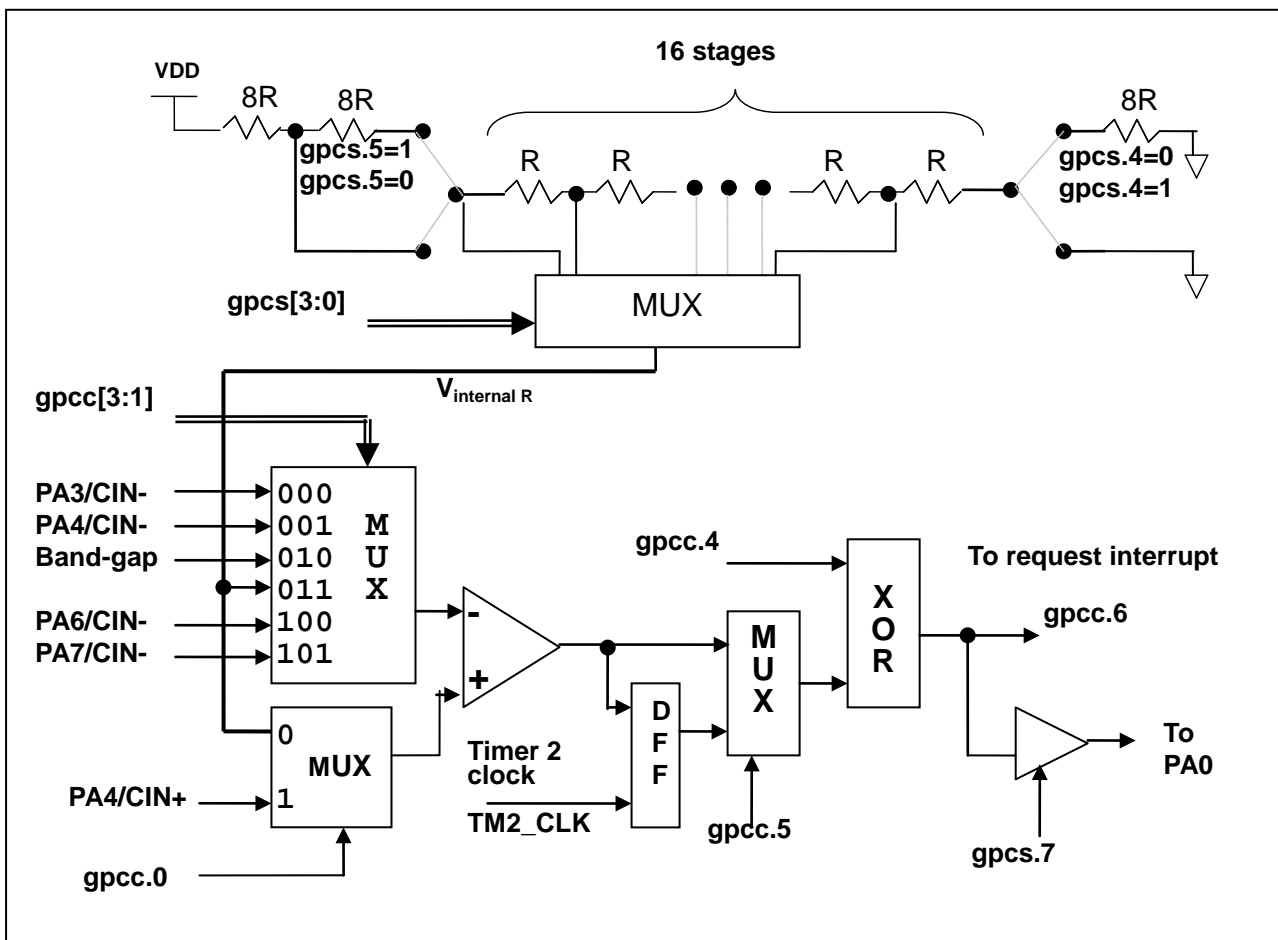


Fig. 3: Hardware diagram of comparator

5.5.1. Internal reference voltage ($V_{\text{internal R}}$)

The internal reference voltage $V_{\text{internal R}}$ is built by series resistance to provide different level of reference voltage, bit 4 and bit 5 of gpcs register are used to select the maximum and minimum values of $V_{\text{internal R}}$ and bit [3:0] of gpcs register are used to select one of the voltage level which is divided-by-16 from the defined maximum level to minimum level. Fig. 4 to Fig. 7 shows four conditions to have different reference voltage $V_{\text{internal R}}$. By setting the gpcs register, the internal reference voltage $V_{\text{internal R}}$ can be ranged from $(1/32)*V_{\text{DD}}$ to $(3/4)*V_{\text{DD}}$.

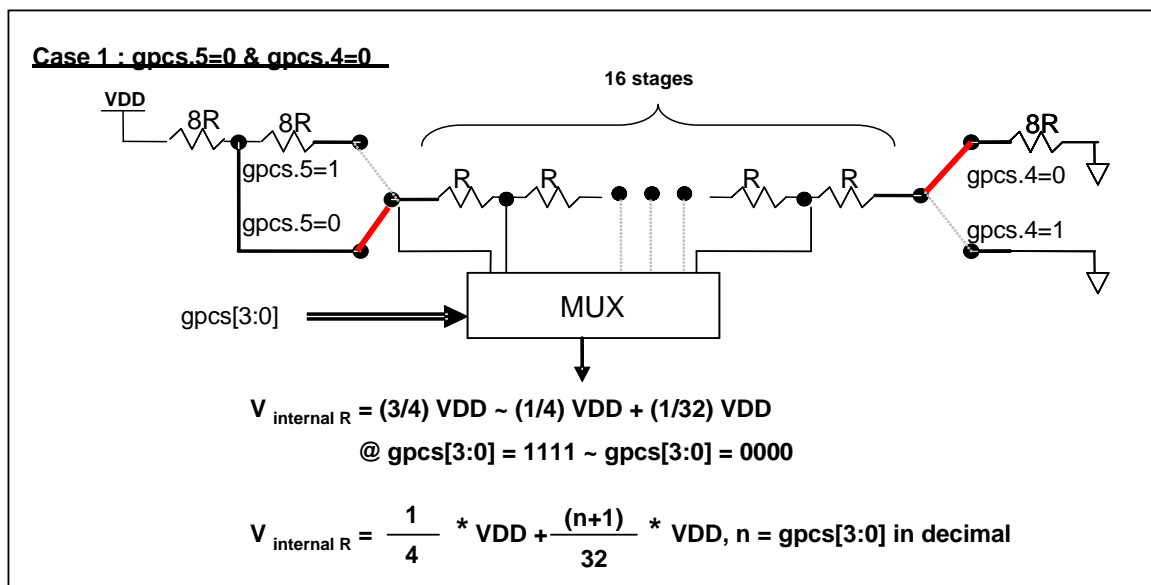


Fig. 4: $V_{\text{internal R}}$ hardware connection if gpcs.5=0 and gpcs.4=0

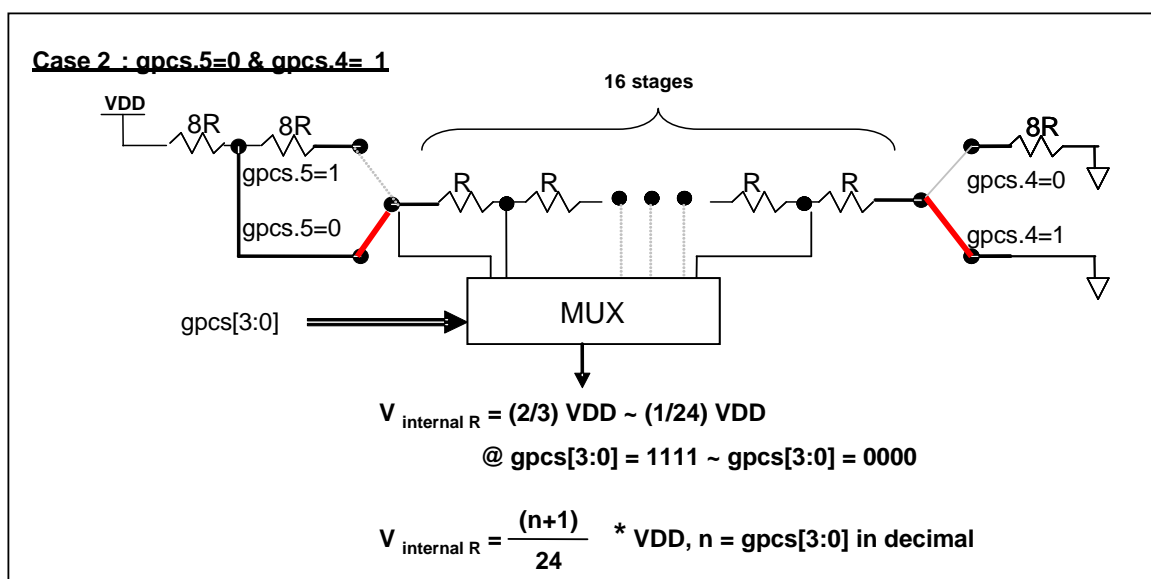


Fig. 5: $V_{\text{internal R}}$ hardware connection if gpcs.5=1 and gpcs.4=1

PMS15A/PMS150C Family

8 bit OTP Type IO Controller

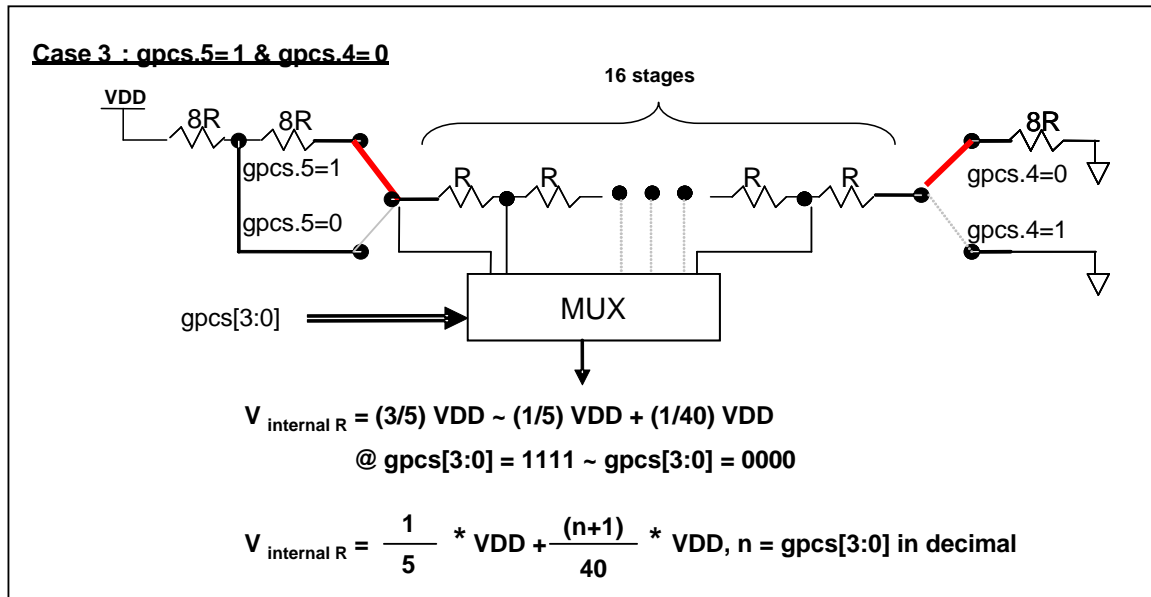


Fig.6: $V_{\text{internal R}}$ hardware connection if gpcs.5=1 and gpcs.4=0

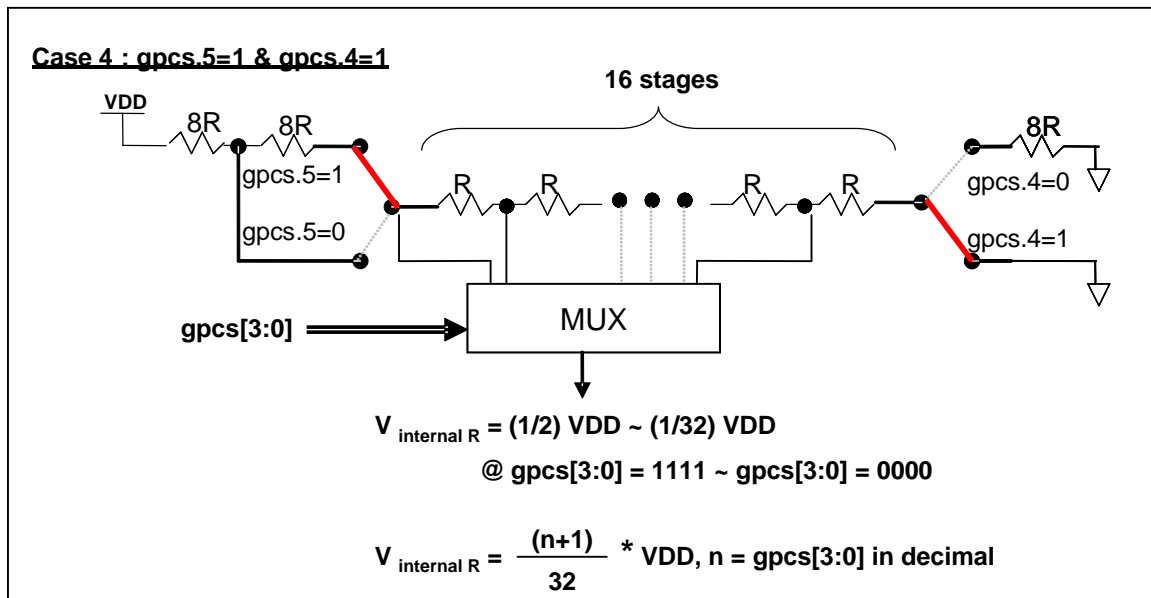


Fig.7: $V_{\text{internal R}}$ hardware connection if gpcs.5=1 and gpcs.4=1

5.5.2. Using the comparator

Case A:

Choosing PA3 as minus input and $V_{internal R}$ with $(18/32)*V_{DD}$ voltage level as plus input. $V_{internal R}$ is configured as the above Figure “gpcs[5:4] = 2b'00” and gpcs [3:0] = 4b'1001 (n=9) to have $V_{internal R} = (1/4)*V_{DD} + [(9+1)/32]*V_{DD} = [(9+9)/32]*V_{DD} = (18/32)*V_{DD}$.

```

gpcs      = 0b0_0_00_1001;      //  $V_{internal R} = V_{DD}*(18/32)$ 
gpcc      = 0b1_0_0_0_000_0;    // enable comp, - input: PA3, + input:  $V_{internal R}$ 
padier     = 0bxxxx_0_xxx;      // disable PA3 digital input to prevent leakage current
  
```

or

```

$ GPCS     $V_{DD}*18/32$ ;
$ GPCC    Enable, N_PA3, P_R;    // - input: N_xx , + input: P_R( $V_{internal R}$ )
PADIER = 0bxxxx_0_xxx;
  
```

Case B:

Choosing $V_{internal R}$ as minus input with $(22/40)*V_{DD}$ voltage level and PA4 as plus input, the comparator result will be inversed and then output to PA0. $V_{internal R}$ is configured as the above Figure “gpcs[5:4] = 2b'10” and gpcs [3:0] = 4b'1101 (n=13) to have $V_{internal R} = (1/5)*V_{DD} + [(13+1)/40]*V_{DD} = [(13+9)/40]*V_{DD} = (22/40)*V_{DD}$.

```

gpcs      = 0b1_0_10_1101;      // output to PA0,  $V_{internal R} = V_{DD}*(22/40)$ 
gpcc      = 0b1_0_0_1_011_1;    // Inverse output, - input:  $V_{internal R}$ , + input: PA4
padier     = 0bxxx_0_xxxx;      // disable PA4 digital input to prevent leakage current
  
```

or

```

$ GPCS    Output,  $V_{DD}*22/40$ ;
$ GPCC    Enable, Inverse, N_R, P_PA4; // - input: N_R( $V_{internal R}$ ) , + input: P_xx
PADIER = 0bxxx_0_xxxx;
  
```

Note: When selecting output to PA0 output, GPCS will affect the PA3 output function in ICE. Though the IC is fine, be careful to avoid this error during emulation.

5.5.3. Using the comparator and band-gap 1.20V

The internal band-gap module provides a stable 1.20V output, and it can be used to measure the external supply voltage level. The band-gap 1.20V is selected as minus input of comparator and $V_{\text{internal R}}$ is selected as plus input, the supply voltage of $V_{\text{internal R}}$ is VDD, the V_{DD} voltage level can be detected by adjusting the voltage level of $V_{\text{internal R}}$ to compare with band-gap. If N (gpcs[3:0] in decimal) is the number to let $V_{\text{internal R}}$ closest to band-gap 1.20 volt, the supply voltage VDD can be calculated by using the following equations:

For using Case 1: $V_{\text{DD}} = [32 / (N+9)] * 1.20 \text{ volt ;}$

For using Case 2: $V_{\text{DD}} = [24 / (N+1)] * 1.20 \text{ volt ;}$

For using Case 3: $V_{\text{DD}} = [40 / (N+9)] * 1.20 \text{ volt ;}$

For using Case 4: $V_{\text{DD}} = [32 / (N+1)] * 1.20 \text{ volt ;}$

Case 1:

```

$ GPCS  VDD*12/40;           // 4.0V * 12/40 = 1.2V
$ GPCC  Enable, BANDGAP, P_R; // - input: BANDGAP, + input: P_R(Vinternal R)
....
if (GPC_Out)                 // or GPCC.6
{                             // when VDD> 4V
}
else
{                             // when VDD< 4V
}

```

5.6. 16-bit Timer (Timer16)

PMS15A/PMS150C provide a 16-bit hardware timer (Timer16) and its clock source may come from system clock (CLK), internal high RC oscillator (IHRC), internal low RC oscillator (ILRC), PA0 or PA4. Before sending clock to the 16-bit counter, a pre-scaling logic with divided-by-1, 4, 16 or 64 is selectable for wide range counting. The 16-bit counter performs up-counting operation only, the counter initial values can be stored from data memory by issuing the **stt16** instruction and the counting values can be loaded to data memory by issuing the **ldt16** instruction. The interrupt request from Timer16 will be triggered by the selected bit which comes from bit[15:8] of this 16-bit counter, rising edge or falling edge can be optional chosen by register **intgs.4**. The hardware diagram of Timer16 is shown as Fig. 8.

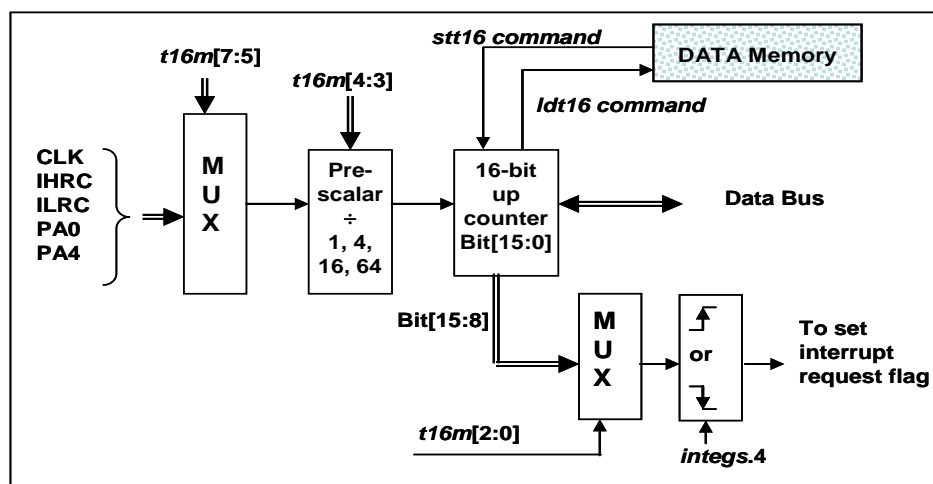


Fig. 8: Hardware diagram of Timer16

When using the Timer16, the syntax for Timer16 has been defined in the .INC file. There are three parameters to define the Timer16 using; 1st parameter is used to define the clock source of Timer16, 2nd parameter is used to define the pre-scalar and the 3rd one is to define the interrupt source.

```

T16M   IO_RW  0x06
$ 7~5:   STOP, SYSCLK, X, PA4_F, IHRC, X, ILRC, PA0_F           // 1st par.
$ 4~3:   /1, /4, /16, /64                                       // 2nd par.
$ 2~0:   BIT8, BIT9, BIT10, BIT11, BIT12, BIT13, BIT14, BIT15 // 3rd par.

```

User can choose the proper parameters of T16M to meet system requirement, examples as below:

```

$   T16M   SYSCLK, /64, BIT15;
    // choose (SYSCLK/64) as clock source, every 2^16 clock to set INTRQ.2=1
    // if system clock SYSCLK = IHRC / 2 = 8 MHz
    // SYSCLK/64 = 8 MHz/64 = 8 uS, about every 524 mS to generate INTRQ.2=1

$   T16M   PA0, /1, BIT8;
    // choose PA0 as clock source, every 2^9 to generate INTRQ.2=1
    // receiving every 512 times PA0 to generate INTRQ.2=1

$   T16M   STOP;
    // stop Timer16 counting

```


5.7. 8-bit timer (Timer2) with PWM generation

One 8-bit hardware timer (Timer2/TM2) with PWM generation is implemented in the PMS15A/PMS150C. Please refer to Fig. 9 shown its hardware diagram, the clock sources of Timer2 may come from system clock, internal high RC oscillator (IHRC) or, internal low RC oscillator (ILRC), PA0 or PA4. Bit[7:4] of register tm2c are used to select the clock source of Timer2. Please notice that if IHRC is selected for Timer2 clock source, the clock sent to Timer2 will keep running when using ICE in halt state. The output of Timer2 can be selected through tm2c[3:2] to output to PA3 or PA4. It will be a forcibly output whatever the PX.x is in input or output state. A clock pre-scaling module is provided with divided-by-1, 4, 16, and 64 options, controlled by bit [6:5] of tm2s register; one scaling module with divided-by-1~31 is also provided and controlled by bit [4:0] of tm2s register; one scaling module with divided-by-1~31 is also provided and controlled by bit [4:0] of tm2s register.

The Timer2 counter performs 8-bit up-counting operation only; the counter values can be set or read back by tm2ct register. The 8-bit counter will be clear to zero automatically when its values reach for upper bound register, the upper bound register is used to define the period of timer or duty of PWM. There are two operating modes for Timer2: period mode and PWM mode; period mode is used to generate periodical output waveform or interrupt event; PWM mode is used to generate PWM output waveform with optional 6-bit or 8-bit PWM resolution, Fig. 10 shows the timing diagram of Timer2 for both period mode and PWM mode.

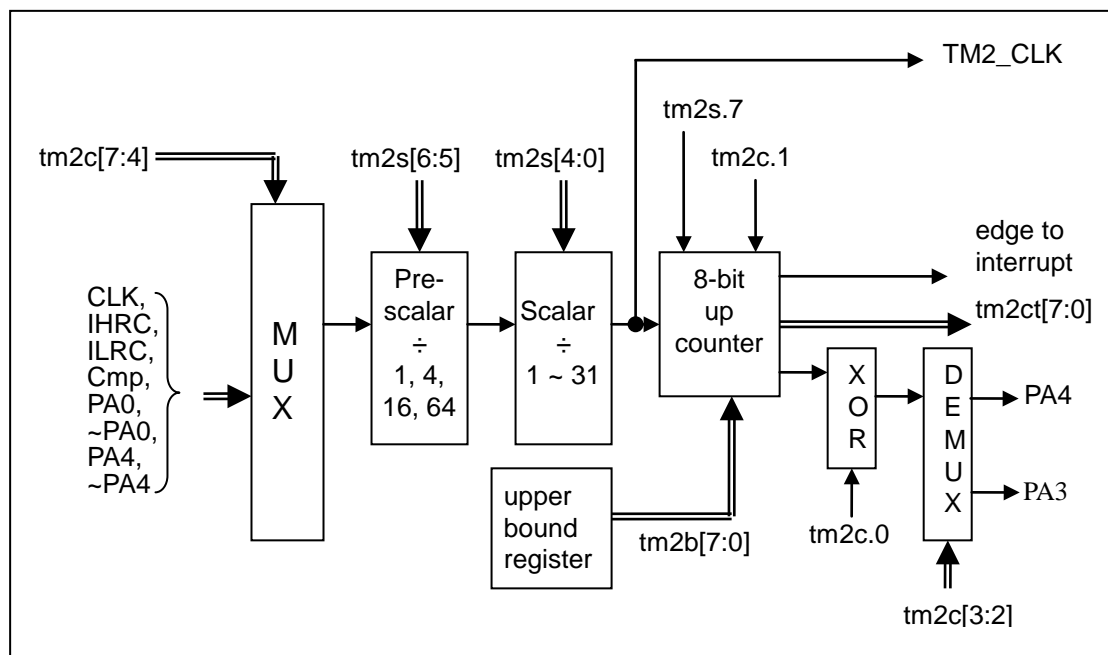


Fig. 9: Timer2 hardware diagram

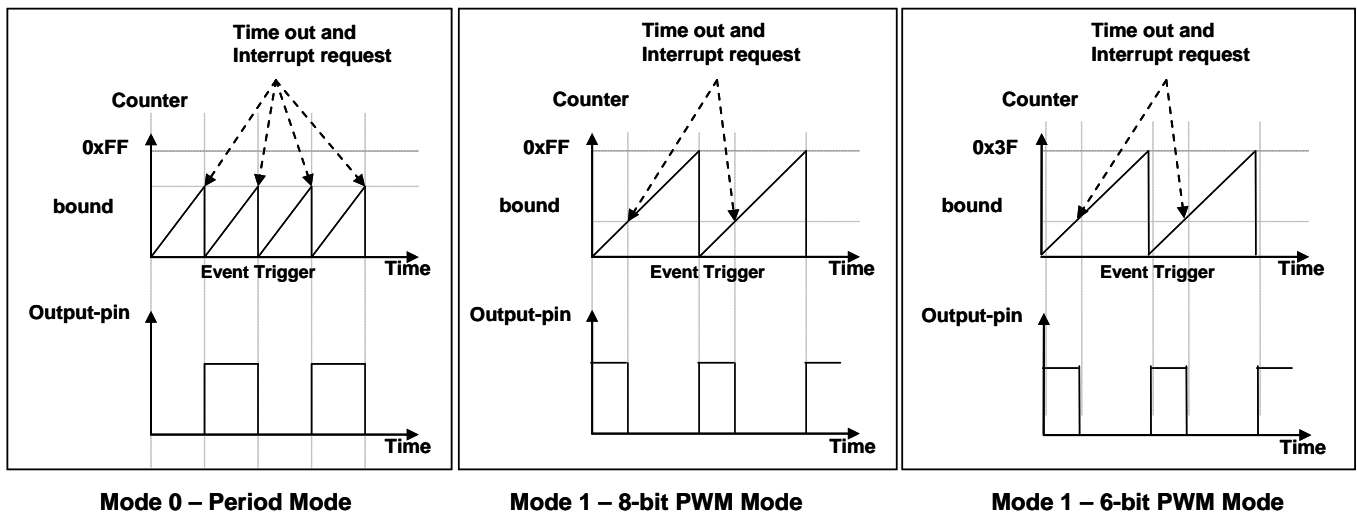


Fig. 10: Timing diagram of Timer2 in period mode and PWM mode (tm2c.1=1)

5.7.1. Using the Timer2 to generate periodical waveform

If periodical mode is selected, the duty cycle of output is always 50%; its frequency can be summarized as below:

$$\text{Frequency of Output} = Y \div [2 \times (K+1) \times S1 \times (S2+1)]$$

Where, $Y = tm2c[7:4]$: frequency of selected clock source
 $K = tm2b[7:0]$: bound register in decimal
 $S1 = tm2s[6:5]$: pre-scalar ($S1 = 1, 4, 16, 64$)
 $S2 = tm2s[4:0]$: scalar register in decimal ($S2 = 0 \sim 31$)

Example 1:

tm2c = 0b0001_1000, Y=8MHz
 tm2b = 0b0111_1111, K=127
 tm2s = 0b0_00_00000, S1=1, S2=0
 → frequency of output = $8\text{MHz} \div [2 \times (127+1) \times 1 \times (0+1)] = 31.25\text{kHz}$

Example 2:

tm2c = 0b0001_1000, Y=8MHz
 tm2b = 0b0111_1111, K=127
 tm2s[7:0] = 0b0_11_11111, S1=64, S2 = 31
 → frequency = $8\text{MHz} \div (2 \times (127+1) \times 64 \times (31+1)) = 15.25\text{Hz}$

Example 3:

tm2c = 0b0001_1000, Y=8MHz
 tm2b = 0b0000_1111, K=15
 tm2s = 0b0_00_00000, S1=1, S2=0
 → frequency = $8\text{MHz} \div (2 \times (15+1) \times 1 \times (0+1)) = 250\text{kHz}$

Example 4:

tm2c = 0b0001_1000, Y=8MHz
 tm2b = 0b0000_0001, K=1
 tm2s = 0b0_00_00000, S1=1, S2=0
 → frequency = $8\text{MHz} \div (2 \times (1+1) \times 1 \times (0+1)) = 2\text{MHz}$

The sample program for using the Timer2 to generate periodical waveform to PA3 is shown as below:

```

void FPPA0 (void)
{
    .ADJUST_IC    SYSCLK=IHRC/2, IHRC=16MHz, VDD=5V
    ...
    tm2ct = 0x00;
    tm2b = 0x7f;
    tm2s = 0b0_00_00001;           // 8-bit PWM, pre-scalar = 1, scalar = 2
    tm2c = 0b0001_10_0_0;         // system clock, output=PA3, period mode
    while(1)
    {
        nop;
    }
}

```

5.7.2. Using the Timer2 to generate 8-bit PWM waveform

If 8-bit PWM mode is selected, it should set tm2c[1]=1 and tm2s[7]=0, the frequency and duty cycle of output waveform can be summarized as below:

$$\text{Frequency of Output} = Y \div [256 \times S1 \times (S2+1)]$$

$$\text{Duty of Output} = [(K + 1) \div 256] \times 100\%$$

Where, Y = tm2c[7:4] : frequency of selected clock source

K = tm2b[7:0] : bound register in decimal

S1 = tm2s[6:5] : pre-scalar (S1= 1, 4, 16, 64)

S2 = tm2s[4:0] : scalar register in decimal (S2= 0 ~ 31)

Example 1:

tm2c = 0b0001_1010, Y=8MHz

tm2b = 0b0111_1111, K=127

tm2s = 0b0_00_00000, S1=1, S2=0

→ frequency of output = 8MHz ÷ (256 × 1 × (0+1)) = 31.25kHz

→ duty of output = [(127+1) ÷ 256] × 100% = 50%

Example 2:

tm2c = 0b0001_1010, Y=8MHz

tm2b = 0b0111_1111, K=127

tm2s = 0b0_11_11111, S1=64, S2=31

→ frequency of output = 8MHz ÷ (256 × 64 × (31+1)) = 15.25Hz

→ duty of output = [(127+1) ÷ 256] × 100% = 50%

Example 3:

tm2c = 0b0001_1010, Y=8MHz

tm2b = 0b1111_1111, K=255

tm2s = 0b0_00_00000, S1=1, S2=0

→ frequency of output = 8MHz ÷ (256 × 1 × (0+1)) = 31.25kHz

→ duty of output = [(255+1) ÷ 256] × 100% = 100%

Example 4:

```
tm2c = 0b0001_1010, Y=8MHz
tm2b = 0b0000_1001, K = 9
tm2s = 0b0_00_00000, S1=1, S2=0
➔ frequency of output = 8MHz ÷ ( 256 × 1 × (0+1) ) = 31.25kHz
➔ duty of output = [(9+1) ÷ 256] × 100% = 3.9%
```

The sample program for using the Timer2 to generate PWM waveform from PA3 is shown as below:

```
void FPPA0 (void)
{
    .ADJUST_IC SYSCLK=IHRC/2, IHRC=16MHz, VDD=5V
    wreset;
    tm2ct = 0x00;
    tm2b = 0x7f;
    tm2s = 0b0_00_00001; // 8-bit PWM, pre-scalar = 1, scalar = 2
    tm2c = 0b0001_10_1_0; // system clock, output=PA3, PWM mode
    while(1)
    {
        nop;
    }
}
```

5.7.3. Using the Timer2 to generate 6-bit PWM waveform

If 6-bit PWM mode is selected, it should set tm2c[1]=1 and tm2s[7]=1, the frequency and duty cycle of output waveform can be summarized as below:

$$\text{Frequency of Output} = Y \div [64 \times S1 \times (S2+1)]$$

$$\text{Duty of Output} = [(K + 1) \div 64] \times 100\%$$

Where, tm2c[7:4] = Y : frequency of selected clock source
 tm2b[7:0] = K : bound register in decimal
 tm2s[6:5] = S1 : pre-scalar (S1= 1, 4, 16, 64)
 tm2s[4:0] = S2 : scalar register in decimal (S2= 0 ~ 31)

Example 1:

```
tm2c = 0b0001_1010, Y=8MHz
tm2b = 0b0001_1111, K=31
tm2s = 0b1_00_00000, S1=1, S2=0
➔ frequency of output = 8MHz ÷ ( 64 × 1 × (0+1) ) = 125kHz
➔ duty = [(31+1) ÷ 64] × 100% = 50%
```

Example 2:

tm2c = 0b0001_1010, Y=8MHz

tm2b = 0b0001_1111, K=31

tm2s = 0b1_11_11111, S1=64, S2=31

→ frequency of output = $8\text{MHz} \div (64 \times 64 \times (31+1)) = 61.03 \text{ Hz}$

→ duty of output = $[(31+1) \div 64] \times 100\% = 50\%$

Example 3:

tm2c = 0b0001_1010, Y=8MHz

tm2b = 0b0011_1111, K=63

tm2s = 0b1_00_00000, S1=1, S2=0

→ frequency of output = $8\text{MHz} \div (64 \times 1 \times (0+1)) = 125\text{kHz}$

→ duty of output = $[(63+1) \div 64] \times 100\% = 100\%$

Example 4:

tm2c = 0b0001_1010, Y=8MHz

tm2b = 0b0000_0000, K=0

tm2s = 0b1_00_00000, S1=1, S2=0

→ frequency = $8\text{MHz} \div (64 \times 1 \times (0+1)) = 125\text{kHz}$

→ duty = $[(0+1) \div 64] \times 100\% = 1.5\%$

5.8. Watchdog Timer

The watchdog timer (WDT) is a counter with clock coming from ILRC and its frequency is about 62KHz@5V. There are 4 different timeout periods of watchdog timer can be chosen by setting the *misc* register, it is:

- ◆ 256k ILRC clock period when misc[1:0]=11
- ◆ 64k ILRC clock period when misc[1:0]=10
- ◆ 16k ILRC clock period when misc[1:0]=01
- ◆ 8k ILRC clock period when misc[1:0]=00 (default)

The frequency of ILRC may drift a lot due to the variation of manufacture, supply voltage and temperature; user should reserve guard band for safe operation. WDT can be cleared by power-on-reset or by command *wdreset* at any time. When WDT is timeout, PMS15A/PMS150C will be reset to restart the program execution. The relative timing diagram of watchdog timer is shown as Fig. 11.

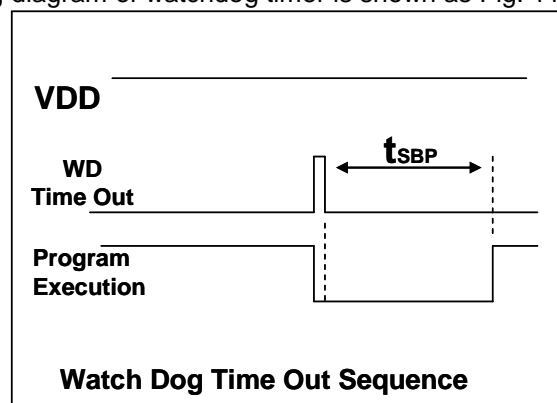


Fig. 11: Sequence of Watch Dog Time Out

5.9. Interrupt

There are four interrupt lines for PMS15A/PMS150C:

- ◆ External interrupt PA0
- ◆ GPC interrupt
- ◆ Timer16 interrupt
- ◆ Timer2 interrupt

Every interrupt request line has its own corresponding interrupt control bit to enable or disable it; the hardware diagram of interrupt function is shown as Fig. 12. All the interrupt request flags are set by hardware and cleared by writing *intrq* register. When the request flags are set, it can be rising edge, falling edge or both, depending on the setting of register *integs*. All the interrupt request lines are also controlled by *engint* instruction (enable global interrupt) to enable interrupt operation and *disgint* instruction (disable global interrupt) to disable it. The stack memory for interrupt is shared with data memory and its address is specified by stack register *sp*. Since the program counter is 16 bits width, the bit 0 of stack register *sp* should be kept 0. Moreover, user can use *pushaf* / *popaf* instructions to store or restore the values of *ACC* and *flag* register *to* / *from* stack memory.

Since the stack memory is shared with data memory, the stack position and level are arranged by the compiler in Mini-C project. When defining the stack level in ASM project, users should arrange their locations carefully to prevent address conflicts.

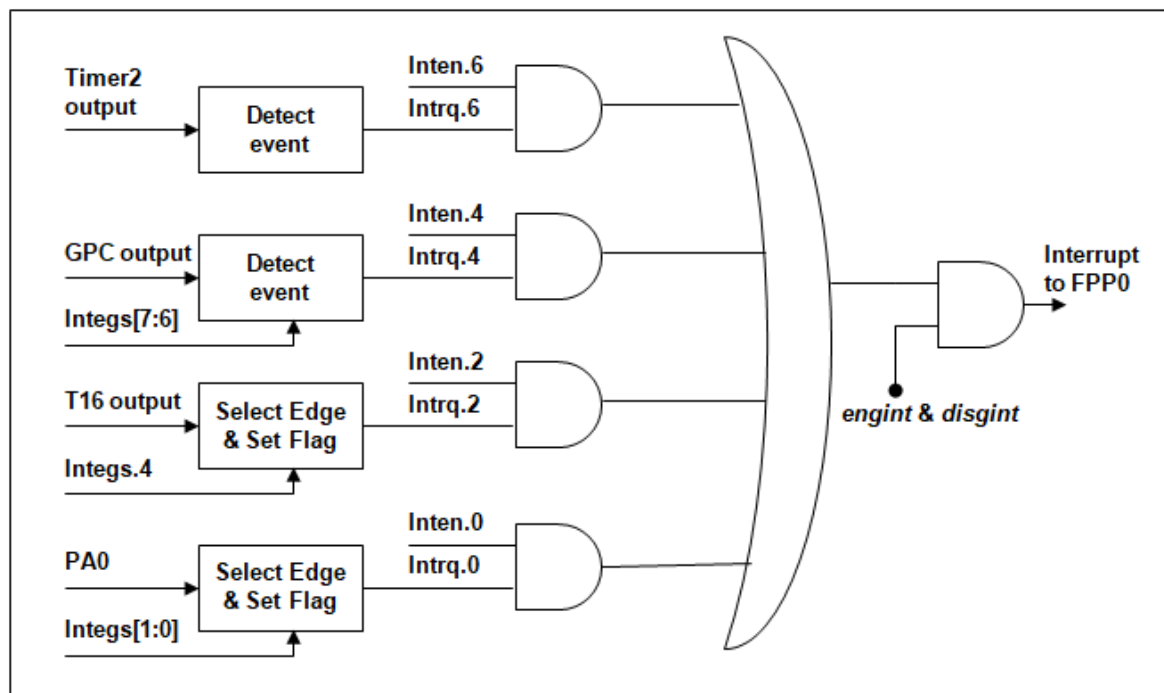


Fig. 12: Hardware diagram of Interrupt controller

Once the interrupt occurs, its operation will be:

- ◆ The program counter will be stored automatically to the stack memory specified by register **sp**.
- ◆ New **sp** will be updated to **sp+2**.
- ◆ Global interrupt will be disabled automatically.
- ◆ The next instruction will be fetched from address 0x010.

During the interrupt service routine, the interrupt source can be determined by reading the **intrq** register.

Note: Even if INTEN=0, INTRQ will be still triggered by the interrupt source.

After finishing the interrupt service routine and issuing the **reti** instruction to return back, its operation will be:

- ◆ The program counter will be restored automatically from the stack memory specified by register **sp**.
- ◆ New **sp** will be updated to **sp-2**.
- ◆ Global interrupt will be enabled automatically.
- ◆ The next instruction will be the original one before interrupt.

User must reserve enough stack memory for interrupt, two bytes stack memory for one level interrupt and four bytes for two levels interrupt. And so on, two bytes stack memory is for **pushaf**. For interrupt operation, the following sample program shows how to handle the interrupt, noticing that it needs four bytes stack memory to handle interrupt and **pushaf**.

```
void      FPPA0  (void)
{
    ...
    $ INTEN PA0;           // INTEN =1; interrupt request when PA0 level changed
    INTRQ = 0;             // clear INTRQ
    ENGINT                 // global interrupt enable
    ...
    DISGINT                // global interrupt disable
    ...
}
```

```
void Interrupt (void)      // interrupt service routine
{
    PUSHAF                 // store ALU and FLAG register

    // If INTEN.PA0 will be opened and closed dynamically,
    // user can judge whether INTEN.PA0 =1 or not.
    // Example: If (INTEN.PA0 && INTRQ.PA0) {...}
```

```

// If INTEN.PA0 is always enable,
// user can omit the INTEN.PA0 judgement to speed up interrupt service routine.

If (INTRQ.PA0)
{
    // Here for PA0 interrupt service routine
    INTRQ.PA0 = 0; // Delete corresponding bit (take PA0 for example)
    ...
}
...
// X: INTRQ = 0; // It is not recommended to use INTRQ = 0 to clear all at the end of
// the interrupt service routine.
// It may accidentally clear out the interrupts that have just occurred
// and are not yet processed.
POPAF // restore ALU and FLAG register
}

```

5.10. Power-Save and Power-Down

There are three operational modes defined by hardware: ON mode, Power-Save mode and Power-Down modes. ON mode is the state of normal operation with all functions ON, Power-Save mode (“**stopexe**”) is the state to reduce operating current and CPU keeps ready to continue, Power-Down mode (“**stopsys**”) is used to save power deeply. Therefore, Power-Save mode is used in the system which needs low operating power with wake-up occasionally and Power-Down mode is used in the system which needs power down deeply with seldom wake-up. Table 3 shows the differences in oscillator modules between Power-Save mode (“**stopexe**”) and Power-Down mode (“**stopsys**”).

Differences in oscillator modules between STOPSYS and STOPEXE		
	IHRC	ILRC
STOPSYS	Stop	Stop
STOPEXE	No Change	No Change

Table 3: Differences in oscillator modules between STOPSYS and STOPEXE

5.10.1. Power-Save mode (“**stopexe**”)

Using “**stopexe**” instruction to enter the Power-Save mode, only system clock is disabled, remaining all the oscillator modules be active. For CPU, it stops executing; however, for Timer16, counter keep counting if its clock source is not the system clock. The wake-up sources for “**stopexe**” can be IO-toggle or Timer16 counts to set values when the clock source of Timer16 is IHRC or ILRC modules, or wakeup by comparator when setting GPCC.7=1 and GPCS.6=1 to enable the comparator wakeup function at the same time. Wake-up from input pins can be considered as a continuation of normal execution, the detail information for Power-Save mode shown below:

- IHRC oscillator modules: No change, keep active if it was enabled.
- ILRC oscillator modules: must remain enabled, need to start with ILRC when be wakening up.
- System clock: Disable, therefore, CPU stops execution.
- OTP memory is turned off.
- Timer counter: Stop counting if its clock source is system clock or the corresponding oscillator module is disabled; otherwise, it keeps counting. (The Timer contains TM16, TM2.)
- Wake-up sources:
 - a. IO toggle wake-up: IO toggling in digital input mode (*PAC* bit is 1 and *PADIER* bit is 1)
 - b. Timer wake-up: If the clock source of Timer is not the SYSCLK, the system will be awakened when the Timer counter reaches the set value.
 - c. Comparator wake-up: It need setting *GPCC.7*=1 and *GPCS.6*=1 to enable the comparator wake-up function at the same time.

The watchdog timer must be disabled before issuing the “**stopexe**” command, the example is shown as below:

```

CLKMD.En_WatchDog = 0;      // disable watchdog timer
stopexe;
....                          // power saving
Wdreset;
CLKMD.En_WatchDog = 1;      // enable watchdog timer

```

Another example shows how to use Timer16 to wake-up from “**stopexe**”:

```

$ T16M ILRC, /1, BIT8      // Timer16 setting
...
WORD count = 0;
STT16 count;
stopexe;
...

```

The initial counting value of Timer16 is zero and the system will be waken up after the Timer16 counts 256 ILRC clocks.

5.10.2. Power-Down mode (“**stopsys**”)

Power-Down mode is the state of deeply power-saving with turning off all the oscillator modules. By using the “**stopsys**” instruction, this chip will be put on Power-Down mode directly. It is recommend to set *GPCC.7*=0 to disable the comparator before the command “**stopsys**”. The following shows the internal status of PMS15A/PMS150C in detail when “**stopsys**” command is issued:

- All the oscillator modules are turned off.
- OTP memory is turned off.
- The contents of SRAM and registers remain unchanged.
- Wake-up sources: IO toggle in digital mode (*PADIER* bit is 1)

Wake-up from input pins can be considered as a continuation of normal execution. To minimize power consumption, all the I/O pins should be carefully manipulated before entering power-down mode. The reference sample program for power down is shown as below:

```

CLKMD = 0xF4;      // Change clock from IHRC to ILRC, disable watchdog timer
CLKMD.4 = 0;      // disable IHRC
...
while (1)
{
    STOPSYS;        // enter power-down
    if (...) break; // if wakeup happen and check OK, then return to high speed,
                       // else stay in power-down mode again.
}
CLKMD = 0x34;    // Change clock from ILRC to IHRC/2

```

5.10.3. Wake-up

After entering the Power-Down or Power-Save modes, the PMS15A/PMS150C can be resumed to normal operation by toggling IO pins. Wake-up from timer are available for Power-Save mode ONLY. Table 4 shows the differences in wake-up sources between STOPSYS and STOPEXE.

Differences in wake-up sources between STOPSYS and STOPEXE		
	IO Toggle	Timer wake-up
STOPSYS	Yes	No
STOPEXE	Yes	Yes

Table 4: Differences in wake-up sources between Power-Save mode and Power-Down mode

When using the IO pins to wake-up the PMS15A/PMS150C, registers *padier* should be properly set to enable the wake-up function for every corresponding pin. The time for slow wake-up is about 2048 ILRC clocks counting from wake-up event; fast wake-up can be selected to reduce the wake-up time by *misc* register, and the time for fast wake-up is 32 ILRC clocks from IO toggling.

Suspend mode	Wake-up mode	Wake-up time (t_{WUP}) from IO toggle
STOPEXE suspend or STOPSYS suspend	fast wake-up	$32 * T_{ILRC}$, Where T_{ILRC} is the time period of ILRC
STOPEXE suspend or STOPSYS suspend	slow wake-up	$2048 * T_{ILRC}$, Where T_{ILRC} is the clock period of ILRC

Table 5: Differences in wake-up time between fast/normal wake-up

5.11. IO Pins

Other than PA5, all the pins can be independently set into two states output or input by configuring the data registers (*pa*), control registers (*pac*) and pull-high registers (*paph*). All these pins have Schmitt-trigger input buffer and output driver with CMOS level. When it is set to output low, the pull-up resistor is turned off automatically. If user wants to read the pin state, please notice that it should be set to input mode before reading the data port; if user reads the data port when it is set to output mode, the reading data comes from data register, NOT from IO pad. As an example, Table 6 shows the configuration table of bit 0 of port A. The hardware diagram of IO buffer is also shown as Fig. 13.

<i>pa.0</i>	<i>pac.0</i>	<i>paph.0</i>	Description
X	0	0	Input without pull-up resistor
X	0	1	Input with pull-up resistor
0	1	X	Output low without pull-up resistor
1	1	0	Output high without pull-up resistor
1	1	1	Output high with pull-up resistor

Table 6: PA0 Configuration Table

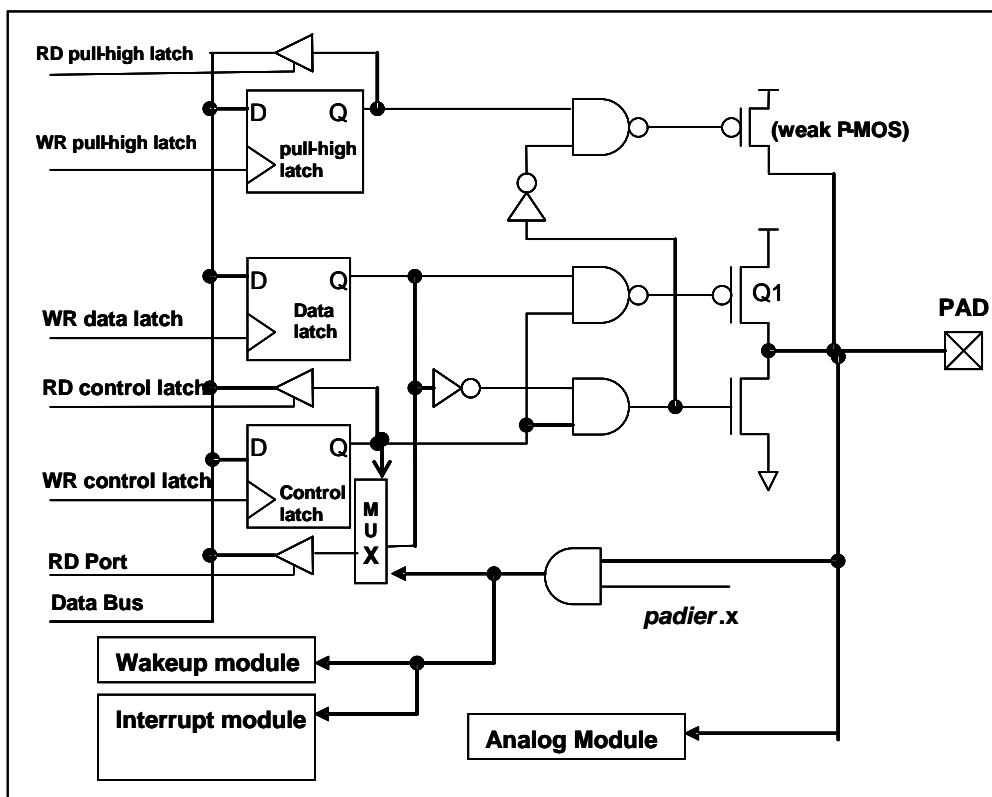


Fig. 13: Hardware diagram of IO buffer

Most IOs can be adjusted their Driving or Sinking current capability to Normal or Low by code option **Drive**.

Other than PA5, all the IO pins have the same structure; PA5 can be open-drain ONLY when setting to output mode (without Q1). When PMS15A/PMS150C is put in power-down or power-save mode, every pin can be used to wake-up system by toggling its state. Therefore, those pins needed to wake-up system must be set to input mode and set the corresponding bits of registers **padier** to high. The same reason, **padier.0** should be set to high when PA0 is used as external interrupt pin.

5.12. Reset

There are many causes to reset the PMS15A/PMS150C, once reset is asserted, all the registers in PMS15A/PMS150C will be set to default values, system should be restarted once abnormal cases happen, or by jumping program counter to address 'h0. The data memory is in uncertain state when reset comes from power-up and LVR; however, the content will be kept when reset comes from PRSTB pin or WDT timeout.

6. IO Registers

6.1. ACC Status Flag Register (*flag*), IO address = 0x00

Bit	Reset	R/W	Description
7 - 4	-	-	Reserved. These four bits are "1" when read.
3	-	R/W	OV (Overflow). This bit is set whenever the sign operation is overflow.
2	-	R/W	AC (Auxiliary Carry). There are two conditions to set this bit, the first one is carry out of low nibble in addition operation, and the other one is borrow from the high nibble into low nibble in subtraction operation.
1	-	R/W	C (Carry). There are two conditions to set this bit, the first one is carry out in addition operation, and the other one is borrow in subtraction operation. Carry is also affected by shift with carry instruction.
0	-	R/W	Z (Zero). This bit will be set when the result of arithmetic or logic operation is zero; Otherwise, it is cleared.

6.2. Stack Pointer Register (*sp*), IO address = 0x02

Bit	Reset	R/W	Description
7 - 0	-	R/W	Stack Pointer Register. Read out the current stack pointer, or write to change the stack pointer. Please notice that bit 0 should be kept 0 due to program counter is 16 bits.

6.3. Clock Mode Register (*clkmd*), IO address = 0x03

Bit	Reset	R/W	Description
7 - 5	111	R/W	System clock selection:
			Type 0, clkmd[3]=0
			000: IHRC÷ 4 001: IHRC÷ 2 01x: reserved 10x: reserved 110: ILRC÷ 4 111: ILRC (default)
			000: IHRC÷ 16 001: IHRC÷ 8 010: ILRC÷ 16 (ICE does NOT Support.) 011: IHRC÷ 32 100: IHRC÷ 64 1xx: reserved
4	1	R/W	IHRC oscillator Enable. 0 / 1: disable / enable
3	0	RW	Clock Type Select. This bit is used to select the clock type in bit [7:5]. 0 / 1: Type 0 / Type 1
2	1	R/W	ILRC Enable. 0 / 1: disable / enable If ILRC is disabled, watchdog timer is also disabled.
1	1	R/W	Watch Dog Enable. 0 / 1: disable / enable
0	0	R/W	Pin PA5/PRSTB function. 0 / 1: PA5 / PRSTB

6.4. Interrupt Enable Register (*inten*), IO address = 0x04

Bit	Reset	R/W	Description
7,5,3,1	-	-	Reserved.
6	-	R/W	Enable interrupt from Timer2. 0 / 1: disable / enable.
4	-	R/W	Enable interrupt from comparator. 0 / 1: disable / enable.
2	-	R/W	Enable interrupt from Timer16 overflow. 0 / 1: disable / enable.
0	-	R/W	Enable interrupt from PA0. 0 / 1: disable / enable.

6.5. Interrupt Request Register (*intrq*), IO address = 0x05

Bit	Reset	R/W	Description
7,5,3,1	-	-	Reserved.
6	-	R/W	Interrupt Request from Timer2, this bit is set by hardware and cleared by software. 0 / 1: No request / Request
4	-	R/W	Interrupt Request from comparator, this bit is set by hardware and cleared by software. 0 / 1: No request / Request
2	-	R/W	Interrupt Request from Timer16, this bit is set by hardware and cleared by software. 0 / 1: No request / Request
0	-	R/W	Interrupt Request from pin PA0, this bit is set by hardware and cleared by software. 0 / 1: No request / Request

6.6. Timer 16 mode Register (*t16m*), IO address = 0x06

Bit	Reset	R/W	Description
7 - 5	000	R/W	Timer Clock source selection 000: Timer 16 is disabled 001: CLK (system clock) 010: reserved 011: PA4 falling edge (from external pin) 100: IHRC 101: reserved 110: ILRC 111: PA0 falling edge (from external pin)
4 - 3	00	R/W	Internal clock divider. 00: ÷ 1 01: ÷ 4 10: ÷ 16 11: ÷ 64
2 - 0	000	R/W	Interrupt source selection. Interrupt event happens when selected bit is changed. 0 : bit 8 of Timer16 1 : bit 9 of Timer16 2 : bit 10 of Timer16 3 : bit 11 of Timer16 4 : bit 12 of Timer16 5 : bit 13 of Timer16 6 : bit 14 of Timer16 7 : bit 15 of Timer16

6.7. External Oscillator setting Register (*eoscr*, write only), IO address = 0x0a

Bit	Reset	R/W	Description
7 - 1	-	-	Reserved. Please keep 0.
0	0	WO	Power-down the Band-gap and LVR hardware modules. 0 / 1: normal / power-down.

6.8. Interrupt Edge Select Register (*integs*), IO address = 0x0c

Bit	Reset	R/W	Description
7 - 6	00	WO	Comparator edge selection. 00 : both rising edge and falling edge to trigger interrupt 01 : rising edge to trigger interrupt 10 : falling edge to trigger interrupt 11 : reserved.
5	-	-	Reserved. Please keep 0.
4	0	WO	Timer16 edge selection. 0 : rising edge to trigger interrupt 1 : falling edge to trigger interrupt
3 - 2	-	-	Reserved.
1 - 0	00	WO	PA0 edge selection. 00 : both rising edge and falling edge to trigger interrupt 01 : rising edge to trigger interrupt 10 : falling edge to trigger interrupt 11 : reserved.

6.9. Port A Digital Input Enable Register (*padier*), IO address = 0x0d

Bit	Reset	R/W	Description
7 - 3	11111	WO	Enable PA7~PA3 digital input and wake up event. 1 / 0 : enable / disable. If these bits are set to low, PA7~PA3 are analog inputs and can NOT be used to wake-up the system.
2 - 1	-	-	Reserved.
0	1	WO	Enable PA0 digital input, wake up event and interrupt request. 1 / 0 : enable / disable. If this bit is set to low, PA0 is analog input. It also can NOT be used to wake-up the system and interrupt request.

6.10. Port A Data Registers (*pa*), IO address = 0x10

Bit	Reset	R/W	Description
7 - 0	8'h00	R/W	Data registers for Port A.

6.11. Port A Control Registers (*pac*), IO address = 0x11

Bit	Reset	R/W	Description
7 - 0	8'h00	R/W	Port A control registers. This register is used to define input mode or output mode for each corresponding pin of port A. 0 / 1: input / output.

6.12. Port A Pull-High Registers (*paph*), IO address = 0x12

Bit	Reset	R/W	Description
7 - 0	8'h00	R/W	Port A pull-high registers. This register is used to enable the internal pull-high device on each corresponding pin of port A. 0 / 1 : disable / enable

6.13. MISC Register (*misc*), IO address = 0x1b

Bit	Reset	R/W	Description
7 - 6	-	-	Reserved
5	0	WO	Enable fast Wake up. 0: Normal wake up. The wake-up time is 2048 ILRC clocks if normal boot up is selected. The wake-up time is 32 ILRC clocks if fast boot up is selected. 1: Fast wake up. The wake-up time is 32 ILRC clocks for both normal boot up and fast boot up.
4	-	-	Reserved
3	0	WO	Reserved.
2	0	WO	Disable LVR function. 0 / 1 : Enable / Disable
1 - 0	00	WO	Watch dog time out period 00: 8k ILRC clock period 01: 16k ILRC clock period 10: 64k ILRC clock period 11: 256k ILRC clock period

6.14. Comparator Control Register (*gpcc*), IO address = 0x1A

Bit	Reset	R/W	Description
7	0	R/W	Enable comparator. 0 / 1 : disable / enable When this bit is set to enable, please also set the corresponding analog input pins to be digital disable to prevent IO leakage.
6	-	RO	Comparator result of comparator. 0: plus input < minus input 1: plus input > minus input
5	0	R/W	Select whether the comparator result output will be sampled by TM2_CLK? 0: result output NOT sampled by TM2_CLK 1: result output sampled by TM2_CLK
4	0	R/W	Inverse the polarity of result output of comparator. 0: polarity is NOT inversed. 1: polarity is inversed.
3 - 1	000	R/W	Selection the minus input (-) of comparator. 000 : PA3 001 : PA4 010 : Internal 1.20 volt band-gap reference voltage 011 : $V_{internal R}$ 100 : PA6 (not for 5S-I-S01/2(B)) 101 : PA7 (not for 5S-I-S01/2(B)) 11X : reserved
0	0	R/W	Selection the plus input (+) of comparator. 0 : $V_{internal R}$ 1 : PA4

6.15. Comparator Selection Register (*gpcs*), IO address = 0x1E

Bit	Reset	R/W	Description
7	0	WO	Comparator output enable (to PA0). 0 / 1 : disable / enable (Please avoid this situation: GPCS will affect the PA3 output function when selecting output to PA0 output in ICE.)
6	0	WO	Wakeup by comparator enable. (The comparator wakeup effectively when gpcc.6 electrical level changed) 0 / 1 : disable / enable
5	0	WO	Selection of high range of comparator.
4	0	WO	Selection of low range of comparator.
3 - 0	0000	WO	Selection the voltage level of comparator. 0000 (lowest) ~ 1111 (highest)

6.16. Timer2 Control Register (*tm2c*), IO address = 0x1C

Bit	Reset	R/W	Description
7 - 4	0000	R/W	Timer2 clock selection. 0000 : disable 0001 : CLK 0010 : IHRC 0011 : reserved 0100 : ILRC 0101 : comparator output 1000 : PA0 (rising edge) 1001 : ~PA0 (falling edge) 1100 : PA4 (rising edge) 1101 : ~PA4 (falling edge) Others: reserved Notice: In ICE mode and IHRC is selected for Timer2 clock, the clock sent to Timer2 does NOT be stopped, Timer2 will keep counting when ICE is in halt state.
3 - 2	00	R/W	Timer2 output selection. 00 : disable 01 : reserved 10 : PA3 11 : PA4 (not for 5S-I-S01/2(B))
1	0	R/W	Timer2 mode selection. 0 / 1 : period mode / PWM mode
0	0	R/W	Enable to inverse the polarity of Timer2 output. 0 / 1: disable / enable

6.17. Timer2 Counter Register (*tm2ct*), IO address = 0x1D

Bit	Reset	R/W	Description
7 - 0	0x00	R/W	Bit [7:0] of Timer2 counter register.

6.18. Timer2 Bound Register (*tm2b*), IO address = 0x09

Bit	Reset	R/W	Description
7 - 0	0x00	WO	Timer2 bound register.

6.19. Timer2 Scalar Register (*tm2s*), IO address = 0x17

Bit	Reset	R/W	Description
7	0	WO	PWM resolution selection. 0 : 8-bit 1 : 6-bit
6 - 5	00	WO	Timer2 clock pre-scalar. 00 : ÷ 1 01 : ÷ 4 10 : ÷ 16 11 : ÷ 64
4 - 0	00000	WO	Timer2 clock scalar.

7. Instructions

Symbol	Description
ACC	Accumulator (Abbreviation of accumulator)
a	Accumulator (Symbol of accumulator in program)
sp	Stack pointer
flag	ACC status flag register
I	Immediate data
&	Logical AND
 	Logical OR
←	Movement
^	Exclusive logic OR
+	Add
–	Subtraction
~	NOT (logical complement, 1's complement)
¯	NEG (2's complement)
OV	Overflow (The operational result is out of range in signed 2's complement number system)
Z	Zero (If the result of ALU operation is zero, this bit is set to 1)
C	Carry (The operational result is to have carry out for addition or to borrow carry for subtraction in unsigned number system)
AC	Auxiliary Carry (If there is a carry out from low nibble after the result of ALU operation, this bit is set to 1)
word	Only addressed in 0~0x1F (0~31) is allowed
M.n	Only addressed in 0~0xF (0~15) is allowed
IO.n	The bit of register

7.1. Data Transfer Instructions

<i>mov</i> a, I	<p>Move immediate data into ACC. Example: <i>mov</i> a, 0x0f; Result: a ← 0fh; Affected flags: 『N』 Z 『N』 C 『N』 AC 『N』 OV</p>
<i>mov</i> M, a	<p>Move data from ACC into memory Example: <i>mov</i> MEM, a; Result: MEM ← a Affected flags: 『N』 Z 『N』 C 『N』 AC 『N』 OV</p>
<i>mov</i> a, M	<p>Move data from memory into ACC Example: <i>mov</i> a, MEM ; Result: a ← MEM; Flag Z is set when MEM is zero. Affected flags: 『Y』 Z 『N』 C 『N』 AC 『N』 OV</p>
<i>mov</i> a, IO	<p>Move data from IO into ACC Example: <i>mov</i> a, pa ; Result: a ← pa; Flag Z is set when pa is zero. Affected flags: 『Y』 Z 『N』 C 『N』 AC 『N』 OV</p>
<i>mov</i> IO, a	<p>Move data from ACC into IO Example: <i>mov</i> pa, a; Result: pa ← a Affected flags: 『N』 Z 『N』 C 『N』 AC 『N』 OV</p>
<i>ldt16</i> word	<p>Move 16-bit counting values in Timer16 to memory in word. Example: <i>ldt16</i> word; Result: word ← 16-bit timer Affected flags: 『N』 Z 『N』 C 『N』 AC 『N』 OV</p> <p>Application Example:</p> <pre> ----- word T16val ; // declare a RAM word ... clear lb@ T16val ; // clear T16val (LSB) clear hb@ T16val ; // clear T16val (MSB) stt16 T16val ; // initial T16 with 0 ... set1 t16m.5 ; // enable Timer16 ... set0 t16m.5 ; // disable Timer 16 ldt16 T16val ; // save the T16 counting value to T16val ----- </pre>

<p><i>stt16</i> word</p>	<p>Store 16-bit data from memory in word to Timer16. Example: <i>stt16</i> word; Result: 16-bit timer ←word Affected flags: 『N』 Z 『N』 C 『N』 AC 『N』 OV</p> <p>Application Example:</p> <hr/> <pre> word T16val ; // declare a RAM word ... mov a, 0x34 ; mov lb@ T16val , a ; // move 0x34 to T16val (LSB) mov a, 0x12 ; mov hb@ T16val , a ; // move 0x12 to T16val (MSB) stt16 T16val ; // initial T16 with 0x1234 ... </pre> <hr/>
<p><i>idxm</i> a, index</p>	<p>Move data from specified memory to ACC by indirect method. It needs 2T to execute this instruction. Example: <i>idxm</i> a, index; Result: a ← [index], where index is declared by word. Affected flags: 『N』 Z 『N』 C 『N』 AC 『N』 OV</p> <p>Application Example:</p> <hr/> <pre> word RAMIndex ; // declare a RAM pointer ... mov a, 0x5B ; // assign pointer to an address (LSB) mov lb@RAMIndex, a ; // save pointer to RAM (LSB) mov a, 0x00 ; // assign 0x00 to an address (MSB), should be 0 mov hb@RAMIndex, a ; // save pointer to RAM (MSB) ... idxm a, RAMIndex ; // move memory data in address 0x5B to ACC </pre> <hr/>

<i>idxm</i> index, a	<p>Move data from ACC to specified memory by indirect method. It needs 2T to execute this instruction.</p> <p>Example: <i>idxm</i> index, a;</p> <p>Result: [index] ← a; where index is declared by word.</p> <p>Affected flags: 『N』 Z 『N』 C 『N』 AC 『N』 OV</p> <p>Application Example:</p> <hr/> <pre> word RAMIndex ; // declare a RAM pointer ... mov a, 0x5B ; // assign pointer to an address (LSB) mov lb@RAMIndex, a ; // save pointer to RAM (LSB) mov a, 0x00 ; // assign 0x00 to an address (MSB), should be 0 mov hb@RAMIndex, a ; // save pointer to RAM (MSB) ... mov a, 0xA5 ; idxm RAMIndex, a ; // move 0xA5 to memory in address 0x5B </pre> <hr/>
<i>xch</i> M	<p>Exchange data between ACC and memory</p> <p>Example: <i>xch</i> MEM ;</p> <p>Result: MEM ← a , a ← MEM</p> <p>Affected flags: 『N』 Z 『N』 C 『N』 AC 『N』 OV</p>
<i>pushaf</i>	<p>Move the ACC and flag register to memory that address specified in the stack pointer.</p> <p>Example: <i>pushaf</i>;</p> <p>Result: [sp] ← {flag, ACC}; sp ← sp + 2 ;</p> <p>Affected flags: 『N』 Z 『N』 C 『N』 AC 『N』 OV</p> <p>Application Example:</p> <hr/> <pre> .romadr 0x10 ; // ISR entry address pushaf ; // put ACC and flag into stack memory ... // ISR program ... // ISR program popaf ; // restore ACC and flag from stack memory reti ; </pre> <hr/>
<i>popaf</i>	<p>Restore ACC and flag from the memory which address is specified in the stack pointer.</p> <p>Example: <i>popaf</i>;</p> <p>Result: sp ← sp - 2 ; {Flag, ACC} ← [sp] ;</p> <p>Affected flags: 『Y』 Z 『Y』 C 『Y』 AC 『Y』 OV</p>

7.2. Arithmetic Operation Instructions

<i>add</i> a, I	Add immediate data with ACC, then put result into ACC Example: <i>add</i> a, 0x0f ; Result: $a \leftarrow a + 0fh$ Affected flags: 『Y』 Z 『Y』 C 『Y』 AC 『Y』 OV
<i>add</i> a, M	Add data in memory with ACC, then put result into ACC Example: <i>add</i> a, MEM ; Result: $a \leftarrow a + MEM$ Affected flags: 『Y』 Z 『Y』 C 『Y』 AC 『Y』 OV
<i>add</i> M, a	Add data in memory with ACC, then put result into memory Example: <i>add</i> MEM, a ; Result: $MEM \leftarrow a + MEM$ Affected flags: 『Y』 Z 『Y』 C 『Y』 AC 『Y』 OV
<i>addc</i> a, M	Add data in memory with ACC and carry bit, then put result into ACC Example: <i>addc</i> a, MEM ; Result: $a \leftarrow a + MEM + C$ Affected flags: 『Y』 Z 『Y』 C 『Y』 AC 『Y』 OV
<i>addc</i> M, a	Add data in memory with ACC and carry bit, then put result into memory Example: <i>addc</i> MEM, a ; Result: $MEM \leftarrow a + MEM + C$ Affected flags: 『Y』 Z 『Y』 C 『Y』 AC 『Y』 OV
<i>addc</i> a	Add carry with ACC, then put result into ACC Example: <i>addc</i> a ; Result: $a \leftarrow a + C$ Affected flags: 『Y』 Z 『Y』 C 『Y』 AC 『Y』 OV
<i>addc</i> M	Add carry with memory, then put result into memory Example: <i>addc</i> MEM ; Result: $MEM \leftarrow MEM + C$ Affected flags: 『Y』 Z 『Y』 C 『Y』 AC 『Y』 OV
<i>sub</i> a, I	Subtraction immediate data from ACC, then put result into ACC. Example: <i>sub</i> a, 0x0f ; Result: $a \leftarrow a - 0fh$ ($a + [2's \text{ complement of } 0fh]$) Affected flags: 『Y』 Z 『Y』 C 『Y』 AC 『Y』 OV
<i>sub</i> a, M	Subtraction data in memory from ACC, then put result into ACC Example: <i>sub</i> a, MEM ; Result: $a \leftarrow a - MEM$ ($a + [2's \text{ complement of } M]$) Affected flags: 『Y』 Z 『Y』 C 『Y』 AC 『Y』 OV
<i>sub</i> M, a	Subtraction data in ACC from memory, then put result into memory Example: <i>sub</i> MEM, a ; Result: $MEM \leftarrow MEM - a$ ($MEM + [2's \text{ complement of } a]$) Affected flags: 『Y』 Z 『Y』 C 『Y』 AC 『Y』 OV
<i>subc</i> a, M	Subtraction data in memory and carry from ACC, then put result into ACC Example: <i>subc</i> a, MEM ; Result: $a \leftarrow a - MEM - C$ Affected flags: 『Y』 Z 『Y』 C 『Y』 AC 『Y』 OV

<i>subc</i> M, a	Subtraction ACC and carry bit from memory, then put result into memory Example: <i>subc</i> MEM, a ; Result: MEM ← MEM – a - C Affected flags: 『Y』 Z 『Y』 C 『Y』 AC 『Y』 OV
<i>subc</i> a	Subtraction carry from ACC, then put result into ACC Example: <i>subc</i> a ; Result: a ← a - C Affected flags: 『Y』 Z 『Y』 C 『Y』 AC 『Y』 OV
<i>subc</i> M	Subtraction carry from the content of memory, then put result into memory Example: <i>subc</i> MEM ; Result: MEM ← MEM - C Affected flags: 『Y』 Z 『Y』 C 『Y』 AC 『Y』 OV
<i>inc</i> M	Increment the content of memory Example: <i>inc</i> MEM ; Result: MEM ← MEM + 1 Affected flags: 『Y』 Z 『Y』 C 『Y』 AC 『Y』 OV
<i>dec</i> M	Decrement the content of memory Example: <i>dec</i> MEM ; Result: MEM ← MEM - 1 Affected flags: 『Y』 Z 『Y』 C 『Y』 AC 『Y』 OV
<i>clear</i> M	Clear the content of memory Example: <i>clear</i> MEM ; Result: MEM ← 0 Affected flags: 『N』 Z 『N』 C 『N』 AC 『N』 OV

7.3. Shift Operation Instructions

<i>sr</i> a	Shift right of ACC, shift 0 to bit 7 Example: <i>sr</i> a ; Result: a (0,b7,b6,b5,b4,b3,b2,b1) ← a (b7,b6,b5,b4,b3,b2,b1,b0), C ← a(b0) Affected flags: 『N』 Z 『Y』 C 『N』 AC 『N』 OV
<i>src</i> a	Shift right of ACC with carry bit 7 to flag Example: <i>src</i> a ; Result: a (c,b7,b6,b5,b4,b3,b2,b1) ← a (b7,b6,b5,b4,b3,b2,b1,b0), C ← a(b0) Affected flags: 『N』 Z 『Y』 C 『N』 AC 『N』 OV
<i>sr</i> M	Shift right the content of memory, shift 0 to bit 7 Example: <i>sr</i> MEM ; Result: MEM(0,b7,b6,b5,b4,b3,b2,b1) ← MEM(b7,b6,b5,b4,b3,b2,b1,b0), C ← MEM(b0) Affected flags: 『N』 Z 『Y』 C 『N』 AC 『N』 OV
<i>src</i> M	Shift right of memory with carry bit 7 to flag Example: <i>src</i> MEM ; Result: MEM(c,b7,b6,b5,b4,b3,b2,b1) ← MEM (b7,b6,b5,b4,b3,b2,b1,b0), C ← MEM(b0) Affected flags: 『N』 Z 『Y』 C 『N』 AC 『N』 OV
<i>sl</i> a	Shift left of ACC shift 0 to bit 0 Example: <i>sl</i> a ; Result: a (b6,b5,b4,b3,b2,b1,b0,0) ← a (b7,b6,b5,b4,b3,b2,b1,b0), C ← a (b7) Affected flags: 『N』 Z 『Y』 C 『N』 AC 『N』 OV

<i>slc a</i>	Shift left of ACC with carry bit 0 to flag Example: <i>slc a</i> ; Result: $a (b_6, b_5, b_4, b_3, b_2, b_1, b_0, c) \leftarrow a (b_7, b_6, b_5, b_4, b_3, b_2, b_1, b_0), C \leftarrow a(b_7)$ Affected flags: 『N』 Z 『Y』 C 『N』 AC 『N』 OV
<i>sl M</i>	Shift left of memory, shift 0 to bit 0 Example: <i>sl MEM</i> ; Result: $MEM (b_6, b_5, b_4, b_3, b_2, b_1, b_0, 0) \leftarrow MEM (b_7, b_6, b_5, b_4, b_3, b_2, b_1, b_0), C \leftarrow MEM(b_7)$ Affected flags: 『N』 Z 『Y』 C 『N』 AC 『N』 OV
<i>slc M</i>	Shift left of memory with carry bit 0 to flag Example: <i>slc MEM</i> ; Result: $MEM (b_6, b_5, b_4, b_3, b_2, b_1, b_0, C) \leftarrow MEM (b_7, b_6, b_5, b_4, b_3, b_2, b_1, b_0), C \leftarrow MEM (b_7)$ Affected flags: 『N』 Z 『Y』 C 『N』 AC 『N』 OV
<i>swap a</i>	Swap the high nibble and low nibble of ACC Example: <i>swap a</i> ; Result: $a (b_3, b_2, b_1, b_0, b_7, b_6, b_5, b_4) \leftarrow a (b_7, b_6, b_5, b_4, b_3, b_2, b_1, b_0)$ Affected flags: 『N』 Z 『N』 C 『N』 AC 『N』 OV

7.4. Logic Operation Instructions

<i>and a, l</i>	Perform logic AND on ACC and immediate data, then put result into ACC Example: <i>and a, 0x0f</i> ; Result: $a \leftarrow a \& 0fh$ Affected flags: 『Y』 Z 『N』 C 『N』 AC 『N』 OV
<i>and a, M</i>	Perform logic AND on ACC and memory, then put result into ACC Example: <i>and a, RAM10</i> ; Result: $a \leftarrow a \& RAM10$ Affected flags: 『Y』 Z 『N』 C 『N』 AC 『N』 OV
<i>and M, a</i>	Perform logic AND on ACC and memory, then put result into memory Example: <i>and MEM, a</i> ; Result: $MEM \leftarrow a \& MEM$ Affected flags: 『Y』 Z 『N』 C 『N』 AC 『N』 OV
<i>or a, l</i>	Perform logic OR on ACC and immediate data, then put result into ACC Example: <i>or a, 0x0f</i> ; Result: $a \leftarrow a 0fh$ Affected flags: 『Y』 Z 『N』 C 『N』 AC 『N』 OV
<i>or a, M</i>	Perform logic OR on ACC and memory, then put result into ACC Example: <i>or a, MEM</i> ; Result: $a \leftarrow a MEM$ Affected flags: 『Y』 Z 『N』 C 『N』 AC 『N』 OV
<i>or M, a</i>	Perform logic OR on ACC and memory, then put result into memory Example: <i>or MEM, a</i> ; Result: $MEM \leftarrow a MEM$ Affected flags: 『Y』 Z 『N』 C 『N』 AC 『N』 OV
<i>xor a, l</i>	Perform logic XOR on ACC and immediate data, then put result into ACC Example: <i>xor a, 0x0f</i> ; Result: $a \leftarrow a \wedge 0fh$ Affected flags: 『Y』 Z 『N』 C 『N』 AC 『N』 OV

<i>xor</i> IO, a	<p>Perform logic XOR on ACC and IO register, then put result into IO register</p> <p>Example: <i>xor pa, a ;</i></p> <p>Result: $pa \leftarrow a \oplus pa$; // pa is the data register of port A</p> <p>Affected flags: 『N』 Z 『N』 C 『N』 AC 『N』 OV</p>
<i>xor</i> a, M	<p>Perform logic XOR on ACC and memory, then put result into ACC</p> <p>Example: <i>xor a, MEM ;</i></p> <p>Result: $a \leftarrow a \oplus RAM10$</p> <p>Affected flags: 『Y』 Z 『N』 C 『N』 AC 『N』 OV</p>
<i>xor</i> M, a	<p>Perform logic XOR on ACC and memory, then put result into memory</p> <p>Example: <i>xor MEM, a ;</i></p> <p>Result: $MEM \leftarrow a \oplus MEM$</p> <p>Affected flags: 『Y』 Z 『N』 C 『N』 AC 『N』 OV</p>
<i>not</i> a	<p>Perform 1's complement (logical complement) of ACC</p> <p>Example: <i>not a ;</i></p> <p>Result: $a \leftarrow \sim a$</p> <p>Affected flags: 『Y』 Z 『N』 C 『N』 AC 『N』 OV</p> <p>Application Example:</p> <hr/> <pre> mov a, 0x38 ; // ACC=0X38 not a ; // ACC=0XC7 </pre> <hr/>
<i>not</i> M	<p>Perform 1's complement (logical complement) of memory</p> <p>Example: <i>not MEM ;</i></p> <p>Result: $MEM \leftarrow \sim MEM$</p> <p>Affected flags: 『Y』 Z 『N』 C 『N』 AC 『N』 OV</p> <p>Application Example:</p> <hr/> <pre> mov a, 0x38 ; mov mem, a ; // mem = 0x38 not mem ; // mem = 0xC7 </pre> <hr/>
<i>neg</i> a	<p>Perform 2's complement of ACC</p> <p>Example: <i>neg a ;</i></p> <p>Result: $a \leftarrow \overline{a}$</p> <p>Affected flags: 『Y』 Z 『N』 C 『N』 AC 『N』 OV</p> <p>Application Example:</p> <hr/> <pre> mov a, 0x38 ; // ACC=0X38 neg a ; // ACC=0XC8 </pre> <hr/>

<i>neg</i> M	<p>Perform 2's complement of memory</p> <p>Example: <i>neg</i> MEM;</p> <p>Result: $MEM \leftarrow \overline{MEM}$</p> <p>Affected flags: 『Y』 Z 『N』 C 『N』 AC 『N』 OV</p> <p>Application Example:</p> <hr/> <pre> mov a, 0x38 ; mov mem, a ; // mem = 0x38 not mem ; // mem = 0xC8 </pre> <hr/>
--------------	---

7.5. Bit Operation Instructions

<i>set0</i> IO.n	<p>Set bit n of IO port to low</p> <p>Example: <i>set0</i> pa.5 ;</p> <p>Result: set bit 5 of port A to low</p> <p>Affected flags: 『N』 Z 『N』 C 『N』 AC 『N』 OV</p>
<i>set1</i> IO.n	<p>Set bit n of IO port to high</p> <p>Example: <i>set1</i> pa.5 ;</p> <p>Result: set bit 5 of port A to high</p> <p>Affected flags: 『N』 Z 『N』 C 『N』 AC 『N』 OV</p>
<i>set0</i> M.n	<p>Set bit n of memory to low</p> <p>Example: <i>set0</i> MEM.5 ;</p> <p>Result: set bit 5 of MEM to low</p> <p>Affected flags: 『N』 Z 『N』 C 『N』 AC 『N』 OV</p>
<i>set1</i> M.n	<p>Set bit n of memory to high</p> <p>Example: <i>set1</i> MEM.5 ;</p> <p>Result: set bit 5 of MEM to high</p> <p>Affected flags: 『N』 Z 『N』 C 『N』 AC 『N』 OV</p>

7.6. Conditional Operation Instructions

<i>ceqsn</i> a, l	<p>Compare ACC with immediate data and skip next instruction if both are equal.</p> <p>Flag will be changed like as ($a \leftarrow a - l$)</p> <p>Example: <i>ceqsn</i> a, 0x55 ;</p> <pre> inc MEM ; goto error ; </pre> <p>Result: If a=0x55, then "goto error"; otherwise, "inc MEM".</p> <p>Affected flags: 『Y』 Z 『Y』 C 『Y』 AC 『Y』 OV</p>
<i>ceqsn</i> a, M	<p>Compare ACC with memory and skip next instruction if both are equal.</p> <p>Flag will be changed like as ($a \leftarrow a - M$)</p> <p>Example: <i>ceqsn</i> a, MEM;</p> <p>Result: If a=MEM, skip next instruction</p> <p>Affected flags: 『Y』 Z 『Y』 C 『Y』 AC 『Y』 OV</p>
<i>t0sn</i> IO.n	<p>Check IO bit and skip next instruction if it's low</p> <p>Example: <i>t0sn</i> pa.5;</p> <p>Result: If bit 5 of port A is low, skip next instruction</p> <p>Affected flags: 『N』 Z 『N』 C 『N』 AC 『N』 OV</p>

<i>t1sn</i> IO.n	<p>Check IO bit and skip next instruction if it's high</p> <p>Example: <i>t1sn</i> pa.5 ;</p> <p>Result: If bit 5 of port A is high, skip next instruction</p> <p>Affected flags: 『N』 Z 『N』 C 『N』 AC 『N』 OV</p>
<i>t0sn</i> M.n	<p>Check memory bit and skip next instruction if it's low</p> <p>Example: <i>t0sn</i> MEM.5 ;</p> <p>Result: If bit 5 of MEM is low, then skip next instruction</p> <p>Affected flags: 『N』 Z 『N』 C 『N』 AC 『N』 OV</p>
<i>t1sn</i> M.n	<p>Check memory bit and skip next instruction if it's high</p> <p>EX: <i>t1sn</i> MEM.5 ;</p> <p>Result: If bit 5 of MEM is high, then skip next instruction</p> <p>Affected flags: 『N』 Z 『N』 C 『N』 AC 『N』 OV</p>
<i>izsn</i> a	<p>Increment ACC and skip next instruction if ACC is zero</p> <p>Example: <i>izsn</i> a;</p> <p>Result: $a \leftarrow a + 1$, skip next instruction if $a = 0$</p> <p>Affected flags: 『Y』 Z 『Y』 C 『Y』 AC 『Y』 OV</p>
<i>dzsn</i> a	<p>Decrement ACC and skip next instruction if ACC is zero</p> <p>Example: <i>dzsn</i> a;</p> <p>Result: $A \leftarrow A - 1$, skip next instruction if $a = 0$</p> <p>Affected flags: 『Y』 Z 『Y』 C 『Y』 AC 『Y』 OV</p>
<i>izsn</i> M	<p>Increment memory and skip next instruction if memory is zero</p> <p>Example: <i>izsn</i> MEM;</p> <p>Result: $MEM \leftarrow MEM + 1$, skip next instruction if $MEM = 0$</p> <p>Affected flags: 『Y』 Z 『Y』 C 『Y』 AC 『Y』 OV</p>
<i>dzsn</i> M	<p>Decrement memory and skip next instruction if memory is zero</p> <p>Example: <i>dzsn</i> MEM;</p> <p>Result: $MEM \leftarrow MEM - 1$, skip next instruction if $MEM = 0$</p> <p>Affected flags: 『Y』 Z 『Y』 C 『Y』 AC 『Y』 OV</p>

7.7. System control Instructions

<i>call</i> label	<p>Function call, address can be full range address space</p> <p>Example: <i>call</i> function1;</p> <p>Result: [sp] \leftarrow pc + 1 pc \leftarrow function1 sp \leftarrow sp + 2</p> <p>Affected flags: 『N』 Z 『N』 C 『N』 AC 『N』 OV</p>
<i>goto</i> label	<p>Go to specific address which can be full range address space</p> <p>Example: <i>goto</i> error;</p> <p>Result: Go to error and execute program.</p> <p>Affected flags: 『N』 Z 『N』 C 『N』 AC 『N』 OV</p>
<i>ret</i> l	<p>Place immediate data to ACC, then return</p> <p>Example: <i>ret</i> 0x55;</p> <p>Result: $A \leftarrow 55h$ ret ;</p> <p>Affected flags: 『N』 Z 『N』 C 『N』 AC 『N』 OV</p>

<i>ret</i>	<p>Return to program which had function call</p> <p>Example: <i>ret</i>;</p> <p>Result: $sp \leftarrow sp - 2$ $pc \leftarrow [sp]$</p> <p>Affected flags: 『N』 Z 『N』 C 『N』 AC 『N』 OV</p>
<i>reti</i>	<p>Return to program that is interrupt service routine. After this command is executed, global interrupt is enabled automatically.</p> <p>Example: <i>reti</i>;</p> <p>Affected flags: 『N』 Z 『N』 C 『N』 AC 『N』 OV</p>
<i>nop</i>	<p>No operation</p> <p>Example: <i>nop</i>;</p> <p>Result: nothing changed</p> <p>Affected flags: 『N』 Z 『N』 C 『N』 AC 『N』 OV</p>
<i>pcadd a</i>	<p>Next program counter is current program counter plus ACC.</p> <p>Example: <i>pcadd a</i>;</p> <p>Result: $pc \leftarrow pc + a$</p> <p>Affected flags: 『N』 Z 『N』 C 『N』 AC 『N』 OV</p> <p>Application Example:</p> <pre> ----- ... mov a, 0x02 ; pcadd a ; // PC <- PC+2 goto err1 ; goto correct ; // jump here goto err2 ; goto err3 ; ... correct: // jump here ... ----- </pre>
<i>engint</i>	<p>Enable global interrupt enable</p> <p>Example: <i>engint</i>;</p> <p>Result: Interrupt request can be sent to FPP0</p> <p>Affected flags: 『N』 Z 『N』 C 『N』 AC 『N』 OV</p>
<i>disgint</i>	<p>Disable global interrupt enable</p> <p>Example: <i>disgint</i> ;</p> <p>Result: Interrupt request is blocked from FPP0</p> <p>Affected flags: 『N』 Z 『N』 C 『N』 AC 『N』 OV</p>
<i>stopsys</i>	<p>System halt.</p> <p>Example: <i>stopsys</i>;</p> <p>Result: Stop the system clocks and halt the system</p> <p>Affected flags: 『N』 Z 『N』 C 『N』 AC 『N』 OV</p>
<i>stopexe</i>	<p>CPU halt. The oscillator module is still active to output clock, however, system clock is disabled to save power.</p> <p>Example: <i>stopexe</i>;</p> <p>Result: Stop the system clocks and keep oscillator modules active.</p> <p>Affected flags: 『N』 Z 『N』 C 『N』 AC 『N』 OV</p>

<i>reset</i>	Reset the whole chip, its operation will be same as hardware reset. Example: <i>reset</i> ; Result: Reset the whole chip. Affected flags: 『N』 Z 『N』 C 『N』 AC 『N』 OV
<i>wdreset</i>	Reset Watchdog timer. Example: <i>wdreset</i> ; Result: Reset Watchdog timer. Affected flags: 『N』 Z 『N』 C 『N』 AC 『N』 OV

7.8. Summary of Instructions Execution Cycle

2T		<i>goto, call, idxm, pcadd, ret, reti</i>
2T	Condition is fulfilled	<i>ceqsn, cneqsn, t0sn, t1sn, dzsn, izsn</i>
1T	Condition is not fulfilled	
1T		Others

7.9. Summary of affected flags by Instructions

Instruction	Z	C	AC	OV	Instruction	Z	C	AC	OV	Instruction	Z	C	AC	OV
<i>mov</i> a, l	-	-	-	-	<i>mov</i> M, a	-	-	-	-	<i>mov</i> a, M	Y	-	-	-
<i>mov</i> a, IO	Y	-	-	-	<i>mov</i> IO, a	-	-	-	-	<i>ldt16</i> word	-	-	-	-
<i>stt16</i> word	-	-	-	-	<i>idxm</i> a, index	-	-	-	-	<i>idxm</i> index, a	-	-	-	-
<i>xch</i> M	-	-	-	-	<i>pushaf</i>	-	-	-	-	<i>popaf</i>	Y	Y	Y	Y
<i>add</i> a, l	Y	Y	Y	Y	<i>add</i> a, M	Y	Y	Y	Y	<i>add</i> M, a	Y	Y	Y	Y
<i>addc</i> a, M	Y	Y	Y	Y	<i>addc</i> M, a	Y	Y	Y	Y	<i>addc</i> a	Y	Y	Y	Y
<i>addc</i> M	Y	Y	Y	Y	<i>sub</i> a, l	Y	Y	Y	Y	<i>sub</i> a, M	Y	Y	Y	Y
<i>sub</i> M, a	Y	Y	Y	Y	<i>subc</i> a, M	Y	Y	Y	Y	<i>subc</i> M, a	Y	Y	Y	Y
<i>subc</i> a	Y	Y	Y	Y	<i>subc</i> M	Y	Y	Y	Y	<i>inc</i> M	Y	Y	Y	Y
<i>dec</i> M	Y	Y	Y	Y	<i>clear</i> M	-	-	-	-	<i>sra</i>	-	Y	-	-
<i>src</i> a	-	Y	-	-	<i>sr</i> M	-	Y	-	-	<i>src</i> M	-	Y	-	-
<i>sl</i> a	-	Y	-	-	<i>slc</i> a	-	Y	-	-	<i>sl</i> M	-	Y	-	-
<i>slc</i> M	-	Y	-	-	<i>swap</i> a	-	-	-	-	<i>and</i> a, l	Y	-	-	-
<i>and</i> a, M	Y	-	-	-	<i>and</i> M, a	Y	-	-	-	<i>or</i> a, l	Y	-	-	-
<i>or</i> a, M	Y	-	-	-	<i>or</i> M, a	Y	-	-	-	<i>xor</i> a, l	Y	-	-	-
<i>xor</i> IO, a	-	-	-	-	<i>xor</i> a, M	Y	-	-	-	<i>xor</i> M, a	Y	-	-	-
<i>not</i> a	Y	-	-	-	<i>not</i> M	Y	-	-	-	<i>neg</i> a	Y	-	-	-
<i>neg</i> M	Y	-	-	-	<i>set0</i> IO.n	-	-	-	-	<i>set1</i> IO.n	-	-	-	-
<i>set0</i> M.n	-	-	-	-	<i>set1</i> M.n	-	-	-	-	<i>ceqsn</i> a, l	Y	Y	Y	Y
<i>ceqsn</i> a, M	Y	Y	Y	Y	<i>t0sn</i> IO.n	-	-	-	-	<i>t1sn</i> IO.n	-	-	-	-
<i>t0sn</i> M.n	-	-	-	-	<i>t1sn</i> M.n	-	-	-	-	<i>izsn</i> a	Y	Y	Y	Y
<i>dzsn</i> a	Y	Y	Y	Y	<i>izsn</i> M	Y	Y	Y	Y	<i>dzsn</i> M	Y	Y	Y	Y
<i>call</i> label	-	-	-	-	<i>goto</i> label	-	-	-	-	<i>ret</i> l	-	-	-	-
<i>ret</i>	-	-	-	-	<i>reti</i>	-	-	-	-	<i>nop</i>	-	-	-	-
<i>pcadd</i> a	-	-	-	-	<i>engint</i>	-	-	-	-	<i>disgint</i>	-	-	-	-
<i>stopsys</i>	-	-	-	-	<i>stopexe</i>	-	-	-	-	<i>reset</i>	-	-	-	-
<i>wdreset</i>	-	-	-	-										

7.10. BIT definition

- (1) Bit defined: Only addressed at 0x00 ~ 0x0F
- (2) WORD defined : Only addressed at 0x00 ~ 0x1E

8. Code Options

Option	Selection	Description
Security	Enable	OTP content is protected and program cannot be read back
	Disable	OTP content is not protected so program can be read back
LVR	4.0V	Select LVR = 4.0V
	3.5V	Select LVR = 3.5V
	3.0V	Select LVR = 3.0V
	2.75V	Select LVR = 2.75V
	2.5V	Select LVR = 2.5V
	2.2V	Select LVR = 2.2V
	2.0V	Select LVR = 2.0V
	1.8V	Select LVR = 1.8V
Boot-up_Time	Slow	Please refer to t_{WUP} and t_{SBP} in Section 4.1
	Fast	Please refer to t_{WUP} and t_{SBP} in Section 4.1
Drive	Low	IO Low driving and sinking current
	Normal	IO Normal driving and sinking current

9. Special Notes

This chapter is to remind user who use PMS15A/PMS150C series IC in order to avoid frequent errors upon operation.

9.1. Warning

User must read all application notes of the IC by detail before using it. Please download the relative application notes from the following link:

<http://www.padauk.com.tw/tw/technical/index.aspx>

9.2. Using IC

9.2.1. IO pin usage and setting

- (1) IO pin as digital input
 - ◆ When IO is set as digital input, the level of V_{ih} and V_{il} would changes with the voltage and temperature. Please follow the minimum value of V_{ih} and the maximum value of V_{il} .
 - ◆ The value of internal pull high resistor would also changes with the voltage, temperature and pin voltage. It is not the fixed value.
- (2) If IO pin is set to be digital input and enable wake-up function
 - ◆ Configure IO pin as input
 - ◆ Set corresponding bit to “1” in PADIER
 - ◆ For those IO pins of PA that are not used, PADIER[1:2] should be set low in order to prevent them from leakage.
- (3) PA5 is set to be output pin
 - ◆ PA5 can be set to be Open-Drain output pin only, output high requires adding pull-up resistor.
- (4) PA5 is set to be PRSTB input pin
 - ◆ Configure PA5 as input
 - ◆ Set CLKMD.0=1 to enable PA5 as PRSTB input pin
- (5) PA5 is set to be input pin and to connect with a push button or a switch by a long wire
 - ◆ Needs to put a $>10\Omega$ resistor in between PA5 and the long wire
 - ◆ Avoid using PA5 as input in such application.

9.2.2. Interrupt

- (1) When using the interrupt function, the procedure should be:
 - Step1: Set INTEN register, enable the interrupt control bit
 - Step2: Clear INTRQ register
 - Step3: In the main program, using ENGINT to enable CPU interrupt function
 - Step4: Wait for interrupt. When interrupt occurs, enter to Interrupt Service Routine
 - Step5: After the Interrupt Service Routine being executed, return to the main program

* Use DISGINT in the main program to disable all interrupts

* When interrupt service routine starts, use PUSHAF instruction to save ALU and FLAG register.

POPAF instruction is to restore ALU and FLAG register before RETI as below:

```
void Interrupt (void)    // Once the interrupt occurs, jump to interrupt service routine
{
    // enter DISGINT status automatically, no more interrupt is accepted
    PUSHAF;
    ...
    POPAF;
} // RETI will be added automatically. After RETI being executed, ENGINT status will be restored.
```

(2) INTEN and INTRQ have no initial values. Please set required value before enabling interrupt function.

9.2.3. System clock switching

System clock can be switched by CLKMD register. Please notice that, NEVER switch the system clock and turn off the original clock source at the same time. For example: When switching from clock A to clock B, please switch to clock B first; and after that turn off the clock A oscillator through CLKMD.

- ◆ Example : Switch system clock from ILRC to IHRC/2
 CLKMD = 0x36; // switch to IHRC, ILRC can not be disabled here
 CLKMD.2 = 0; // ILRC can be disabled at this time
- ◆ **ERROR:** Switch ILRC to IHRC and turn off ILRC simultaneously
 CLKMD = 0x50; // MCU will hang

9.2.4. Power down mode, wakeup and watchdog

Watchdog will be inactive once ILRC is disabled.

9.2.5. TIMER time out

When select \$ INTEGS BIT_R (default value) and T16M counter BIT8 to generate interrupt, if T16M counts from 0, the first interrupt will occur when the counter reaches to 0x100 (BIT8 from 0 to 1) and the second interrupt will occur when the counter reaches 0x300 (BIT8 from 0 to 1). Therefore, selecting BIT8 as 1 to generate interrupt means that the interrupt occurs every 512 counts. Please notice that if T16M counter is restarted, the next interrupt will occur once Bit8 turns from 0 to 1.

If select \$ INTEGS BIT_F (BIT triggers from 1 to 0) and T16M counter BIT8 to generate interrupt, the T16M counter changes to an interrupt every 0x200/0x400/0x600/. Please pay attention to two differences with setting INTEGS methods.

9.2.6. IHRC

- (1) The IHRC frequency calibration is performed when IC is programmed by the writer.
- (2) Because the characteristic of the Epoxy Molding Compound (EMC) would some degrees affects the IHRC frequency (either for package or COB), if the calibration is done before molding process, the actual IHRC frequency after molding may be deviated or becomes out of spec. Normally , the frequency is getting slower a bit.
- (3) It usually happens in COB package or Quick Turnover Programming (QTP). And PADAUK would not take any responsibility for this situation.
- (4) Users can make some compensatory adjustments according to their own experiences. For example, users can set IHRC frequency to be 0.5% ~ 1% higher and aim to get better re-targeting after molding.

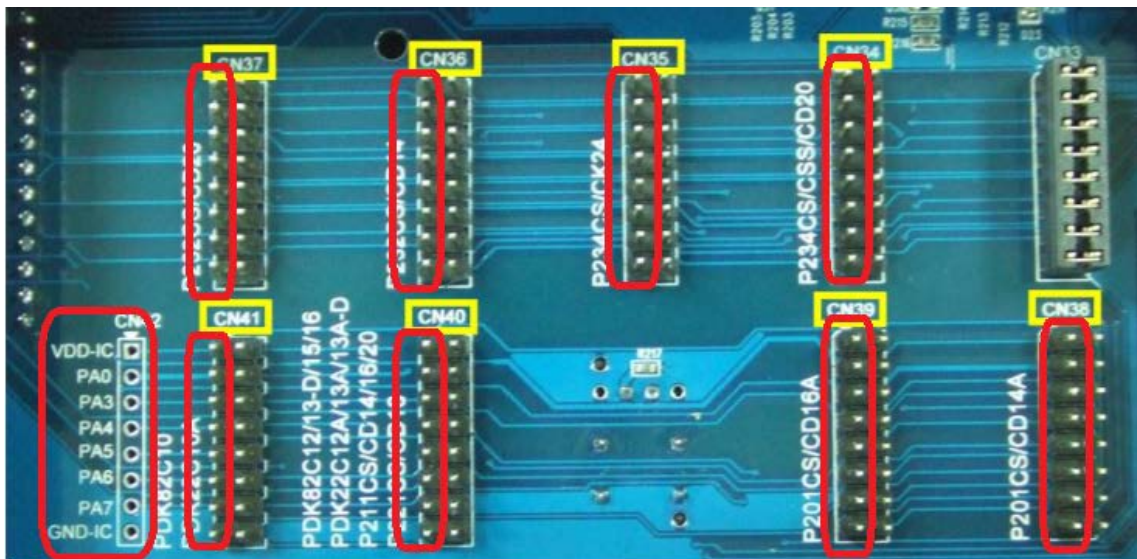
9.2.7. LVR

- (1) V_{DD} must reach or above 2.0V for successful power-on process; otherwise IC will be inactive.
- (2) The setting of LVR (1.8V ~ 4.0V) will be valid just after successful power-on process.
- (3) User can set MISC.2 as “1” to disable LVR. However, V_{DD} must be kept as exceeding the lowest working voltage of chip; Otherwise IC may work abnormally.

9.2.8. Program writing

There are 6 pins for using the writer to program: PA3, PA4, PA5, PA6, VDD and GND.

Please use PDK3S-P-002 for program real chip and just use the CN38 jumper (at the back for the writer) with putting the PMS150-S08/DIP8 IC downward three spaces on the Textool . Other packages could be programmed by connecting the signals correspondingly. All the signals of the left side of the jumpers are the same and as the descriptions at the left bottom corner. They are VDD, PA0(not used), PA3, PA4, PA5, PA6, PA7(not used), and GND).



If user use PDK5S-P-003 or above to program, please follow the instructions for connecting jumpers.

- Special notes about voltage and current while Multi-Chip-Package(MCP) or On-Board Programming

- (1) PA5 (V_{PP}) may be higher than 11V.
- (2) V_{DD} may be higher than 6.5V, and its maximum current may reach about 20mA.
- (3) All other signal pins level (except GND) are the same as V_{DD} .

User should confirm when using this product in MCP or On-Board Programming, the peripheral components or circuit will not be damaged by the above voltages, and will not clam the above voltages.

Important Cautions :

- You MUST follow the instructions on APN004 and APN011 for programming IC on the handler.
- Connecting a 0.01uF capacitor between VDD and GND at the handler port to the IC is always good for suppressing disturbance. But please DO NOT connect with > 0.01uF capacitor, otherwise, programming may be fail.

9.3. Using ICE

Please use PDK5S-I-S01/2(B) ICE to emulate most of PMS15A/PMS150C function except as the list below:

- (1) PDK5S-I-S01/2(B) doesn't support SYSCLK=ILRC/16
- (2) PDK5S-I-S01/2(B) doesn't support PA6 and PA7 as the CIN- of the comparator.
- (3) PDK5S-I-S01/2(B) doesn't support TM2PWM output of PA4.
- (4) PDK5S-I-S01/2(B) doesn't support the INTEGRS the Bit[7:6] dynamically switched.
- (5) When GPCS[7]=1, the output of PA0 will affect the High function of PA3.
- (6) When simulating PWM waveform, please check the waveform during program running. When the ICE is suspended or single-step running, its waveform may be inconsistent with the reality.
- (7) The ILRC frequency of the PDK5S-I-S01/2(B) simulator is different from the actual IC and is uncalibrated, with a frequency range of about 34K~38KHz.
- (8) Fast Wakeup time is different from PDK5S-I-S01/2(B): 128 SysCik, PMS15A/PMS150C: 32 ILRC
- (9) Watch dog time out period is different from PDK5S-I-S01/2(B):

WDT period	PMS15A/PMS150C	PDK5S-I-S01/2(B)
misc[1:0]=00	8K* T_{ILRC}	2048* T_{ILRC}
misc[1:0]=01	16K* T_{ILRC}	4096* T_{ILRC}
misc[1:0]=10	64K* T_{ILRC}	16384* T_{ILRC}
misc[1:0]=11	256K* T_{ILRC}	256* T_{ILRC}