

DC COOLING FAN

80x80x25mm

- Voltage: 12 & 24 VDC
- Bearing options: Ball, Sleeve or Oil Bearing
- Material on housing: Plastic Housing to UL94V-0
- Airflow range: 20.5 - 50 CFM
- Suitable for PSU, Racks and Test Instruments



SPECIFICATION

Part No.	Bearing	Voltage(V)	Current(A)	Power(W)	Speed(RPM)	Air flow(CFM)	Pressure(mmAq)	Noise(dB/A)	Weight(g)
DBF8025x12U	Ball, Sleeve, Oil	12	0.45	5.40	3900	50.0	6.81	40.6	82
DBF8025x12H	Ball, Sleeve, Oil	12	0.25	3.00	3010	38.6	4.06	34.0	82
DBF8025x12M	Ball, Sleeve, Oil	12	0.15	1.80	2440	31.4	2.90	28.3	82
DBF8025x12L	Ball, Sleeve, Oil	12	0.12	1.44	2030	26.2	1.98	22.5	82
DBF8025x12X	Ball, Sleeve, Oil	12	0.08	0.96	1600	20.5	1.27	15.0	82
DBF8025x24U	Ball, Sleeve, Oil	24	0.26	6.24	3900	50.0	7.09	41.0	82
DBF8025x24H	Ball, Sleeve, Oil	24	0.16	3.84	3010	38.6	4.06	34.4	82
DBF8025x24M	Ball, Sleeve, Oil	24	0.10	2.40	2440	31.4	2.90	28.3	82
DBF8025x24L	Ball, Sleeve, Oil	24	0.09	2.16	2030	26.2	1.98	22.5	82

SECTION 12

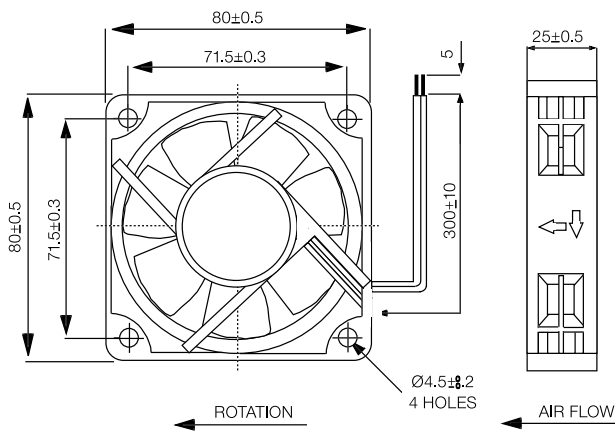
Impeller: Plastic (UL;94V-0)

Lead Wire: UL1007 AWG24

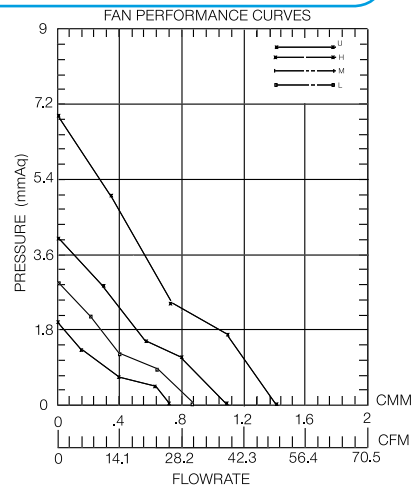
Protection: Current Limit

Operating Temp: -10° to 70°C

EXTERNAL DIMENSIONS



PERFORMANCE CURVE



ORDERING INFORMATION

DBF	8025	B	12	H	
Dubilier Fans	Size	Bearing	Voltage	Airflow	Options
	80x80x25mm	B=Ball S=Sleeve G=Oil	12=12vdc 24=24vdc	U=Ultra High H=High M=Medium L=Low X=Very low	Blank=Standard A=Alarm Lead S=Speed Sensor T=Twin Speed Other options available