

1 |

2 |

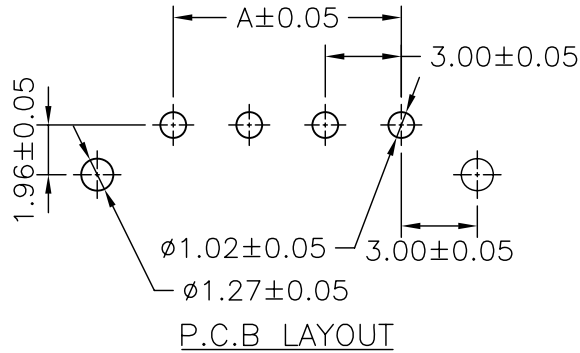
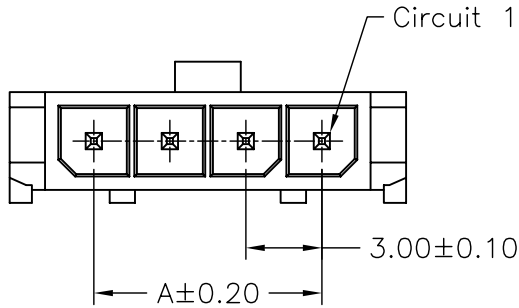
3 |

4 |

Ordering code

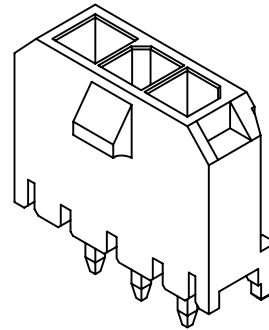
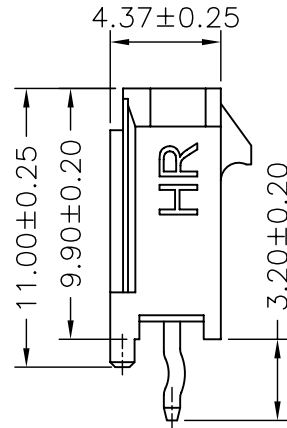
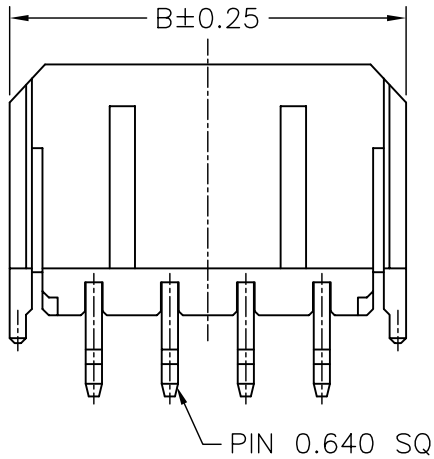
C3030 WV-F-XP  
① ② ③ ④

- ① Series No.
- ② Connector type: WV=Vertical
- ③ Mounting type: F=With foot
- ④ No. of circuits




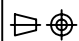
SPECIFICATIONS

Current Rating: 5A AC,DC  
 Voltage Rating: 250V AC,DC  
 Temperature Range: -25°C ~ +85°C  
 Contact Resistance: 10mΩ Max  
 Insulation Resistance: 1000MΩ Min  
 Withstanding Voltage: 1500V AC/minute  
 Pin Material: Brass/Tin-plated  
 Material: PBT15%GF,UL94V-0  
 Color: Natural(Black)



Ordering Information & Dimensions

PART NO.	Dimensions		PART NO.	Dimensions	
	A	B		A	B
02P	3.00	9.65	08P	21.00	27.65
03P	6.00	12.65	09P	24.00	30.65
04P	9.00	15.65	10P	27.00	33.65
05P	12.00	18.65	11P	30.00	36.65
06P	15.00	21.65	12P	33.00	39.65
07P	18.00	24.65			

 燦達電子工業股份有限公司 JOINT TECH ELECTRONIC IND. CO., LTD.			
UNIT	SCALE	SHEET	TITLE:
mm	1 : 1	1 of 2	
DRAWN BY	APPROVED BY		<b>3.00mm PITCH</b> <b>180° WAFER, SINGLE ROW,</b> <b>MICRO-FIT</b>
董正一	董正一		
2003.03.27	2003.03.27		
GENERAL TOLERANCE			
X. X±0.25	ANGLE±		DRAW NO. : C3030WV-F-XP
X. XX±0.15			
X. XXX±0.05			
B2	EN1409020004	2014.09.02	郭木思
REV.	DESCRIPTION	DATE	NAME

1 |

2 |

3 |

4 |

A

B

C

D

A

B

C

D