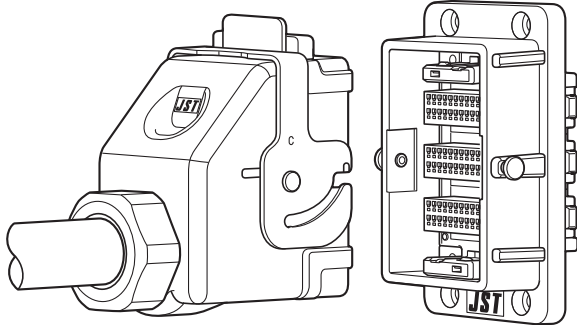




JFA CONNECTOR METAL SHELL SERIES

Wire-to-wire connector (For Interface)



Metal shell type I/O connector which contacts are used also with JFA connector J2000 series and J300 series.

- **Applicable contact and tooling can be unified**
- **Rigid metal shell**
- **Waterproof performance**
- **Misinsertion prevention**

* In using the products, refer to "Handling Precaution for Terminals and Connectors" described on our website (Technical documents of Product information page).

* RoHS2 compliance

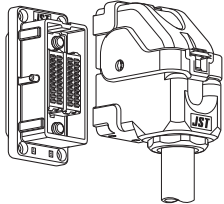
* Dimensional unit: mm

* Contact JST for details.

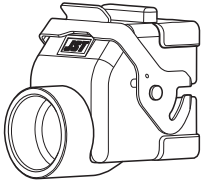
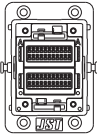

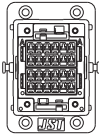
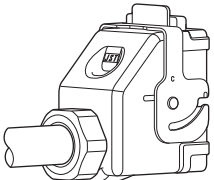
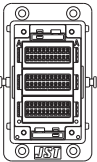
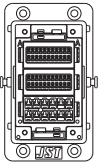
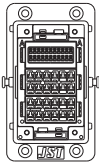
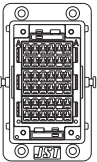
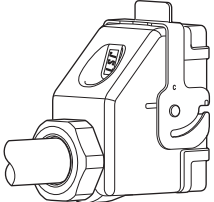

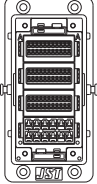
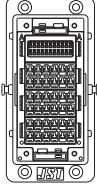
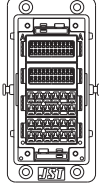
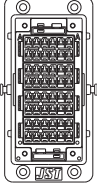
JFA CONNECTOR / METAL SHELL SERIES

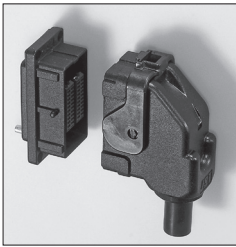
Line-up of metal shell

◆J2900

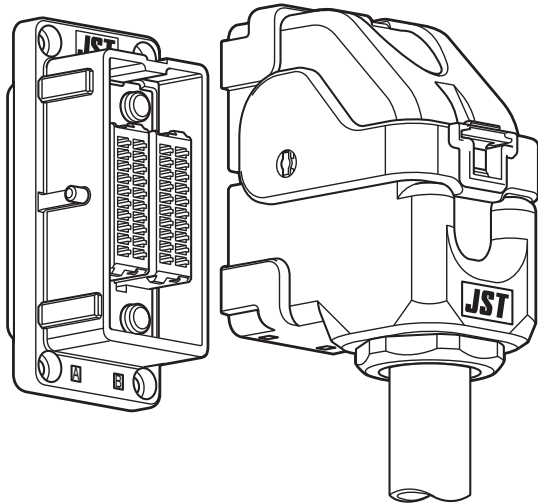
| | |
|------------------|---|
| Connector series | J2000 series |
| | 40P |
| J2900 |  |
| No. of circuits | 20P × 2 pcs. |

◆JFA-M

| Type | Shell | Examples of combinations | | | |
|-----------------|---|---|---|---|---|
| 2 Module |  | J2000 (22P) × 2 | J2000 (22P) × 1 + J300 (12P) × 1 | J300 (12P) × 2 | |
| | |  |  |  | |
| No. of circuits | | 44P | 34P | 24P | |
| 3 Module |  | J2000 (22P) × 3 | J2000 (22P) × 2 + J300 (12P) × 1 | J2000 (22P) × 1 + J300 (12P) × 2 | J300 (12P) × 3 |
| | |  |  |  |  |
| No. of circuits | | 66P | 56P | 46P | 36P |
| 4 Module |  | J2000 (22P) × 4 | J2000 (22P) × 3 + J300 (12P) × 1 | J2000 (22P) × 2 + J300 (12P) × 2 | J300 (12P) × 4 |
| | |  |   |  |  |
| No. of circuits | | 88P | 78P, 58P | 68P | 48P |



JFA CONNECTOR J2900 SERIES



This connector is a metal shell type I/O connector and it's completely waterproof. Contacts are designed to be common use with JFA connector J2000 series.

- Rigid metal shell
- Easy mating operation

■ Standards

⚡ : Recognized E 60389

△ : R 50354834

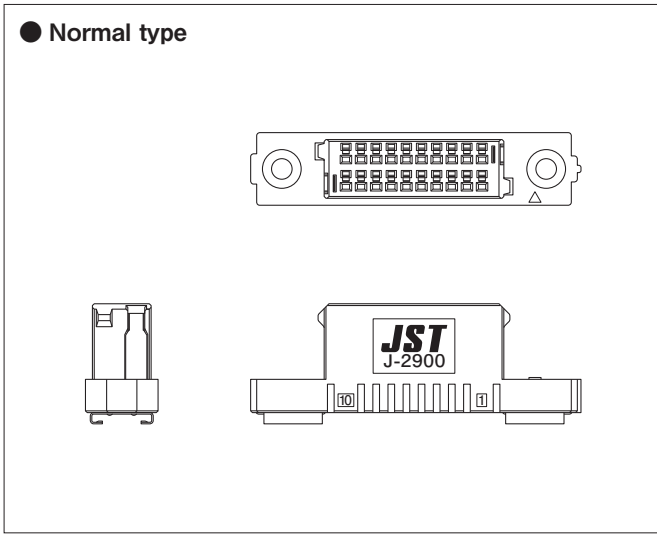
■ Specifications

- Current rating: 3 A AC/DC (AWG #20)
 - Voltage rating: 250 V AC/DC
 - Temperature range: -55°C to + 105°C
(including temperature rise in applying electrical current)
 - Applicable cable O.D.: 11.1 to 13.5 mm
- * Please note that the above general specifications may differ from the safety standards.
- * In using the products, refer to "Handling Precaution for Terminals and Connectors" described on our website (Technical documents of Product information page).
- * RoHS2 compliance
 - * Dimensional unit: mm
 - * Contact JST for details.

METAL SHELL SERIES /J2900

Receptacle housing assembly

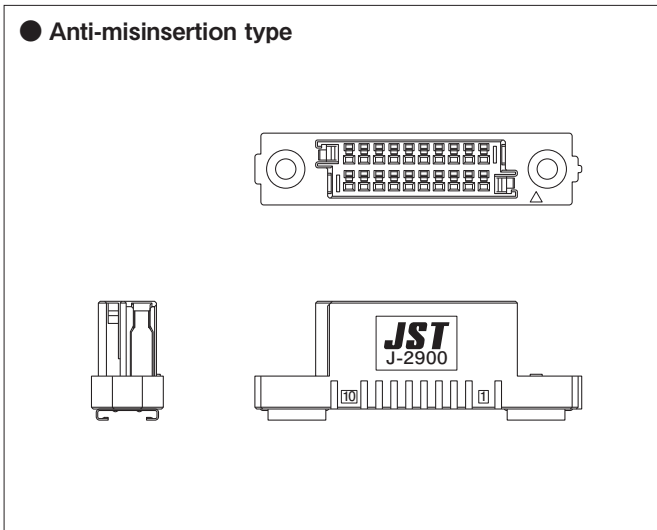
● Normal type



| No. of circuits | Model No. | Q'ty/box |
|-----------------|------------|----------|
| 20 | J29FA-20-K | 70 |

RoHS2 compliance

● Anti-misinsertion type

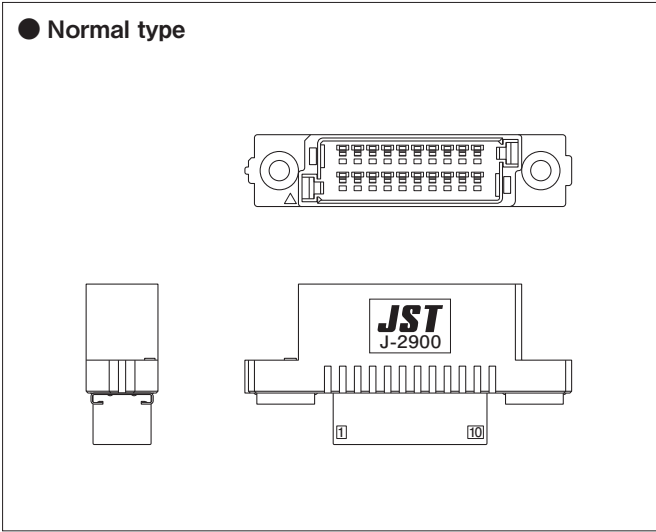


| No. of circuits | Model No. | Q'ty/box |
|-----------------|--------------|----------|
| 20 | J29FA-20-H-1 | 70 |

RoHS2 compliance

Tab housing assembly

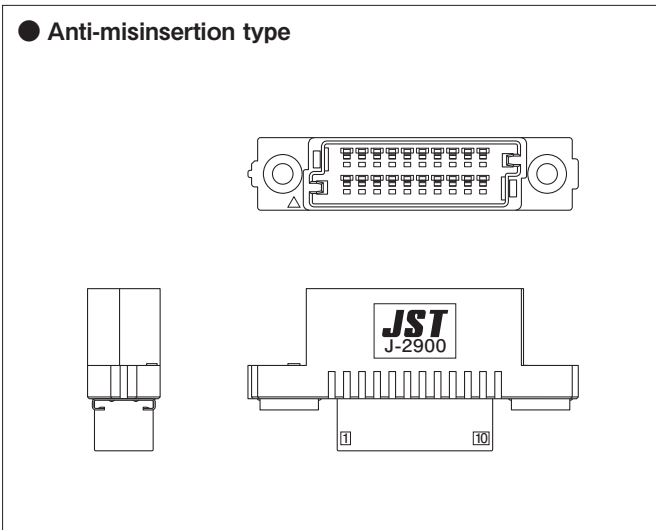
● Normal type



| No. of circuits | Model No. | Q'ty/box |
|-----------------|------------|----------|
| 20 | J29MA-20-K | 70 |

RoHS2 compliance

● Anti-misinsertion type



| No. of circuits | Model No. | Q'ty/box |
|-----------------|--------------|----------|
| 20 | J29MA-20-H-1 | 70 |

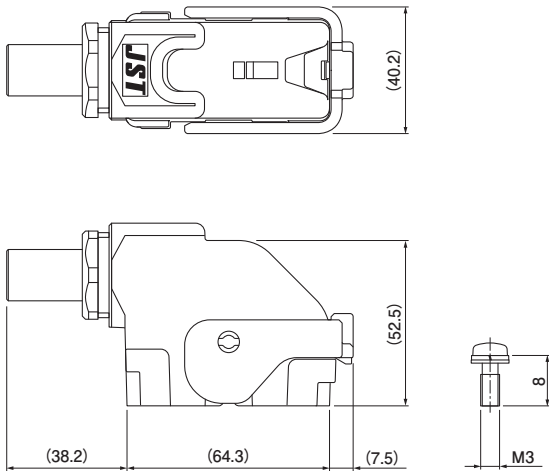
RoHS2 compliance

METAL SHELL SERIES /J2900

◆ Wire side

Shell kit

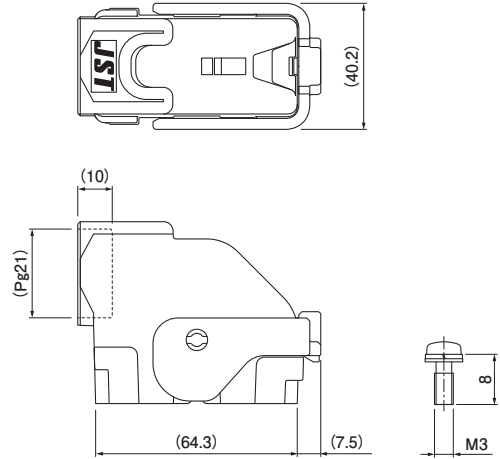
● Normal type



| Model No. | Q'ty/box |
|-----------|----------|
| J29WK-K-1 | 30 |

RoHS2 compliance This product displays (PF) on a label.

● For Pg21



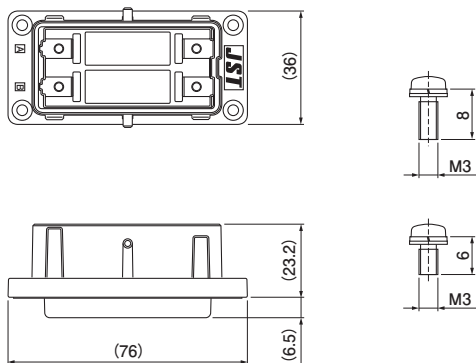
Pg21 screw mounting product (For flexible tubing, etc.)

| Model No. | Q'ty/box |
|-----------|----------|
| J29WK-K-A | 35 |

RoHS2 compliance This product displays (PF) on a label.

◆ Panel side

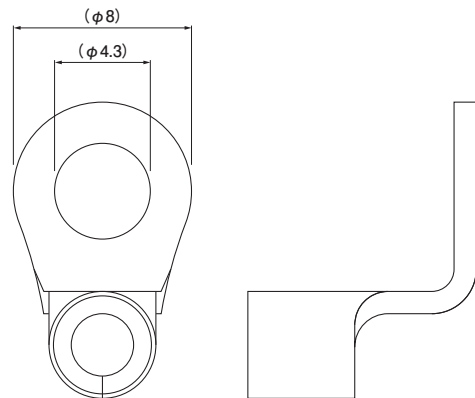
Shell kit



| Model No. | Q'ty/box |
|-----------|----------|
| J29PK-K | 35 |

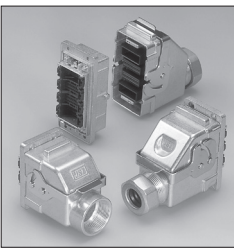
RoHS2 compliance This product displays (PF) on a label.

● Ground terminal

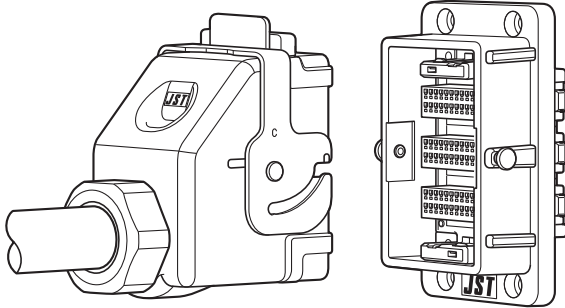


| Model No. | Q'ty/box |
|-----------|----------|
| L3.5-R4 | 1,000 |

RoHS2 compliance



JFA CONNECTOR JFA-M SERIES



Metal shell type connector which contacts are designed to be common use with JFA connector J2000 series and J300 series.

- Rigid metal shell
- Lever (3 and 4 module types) provides easy mating and unmating connector
- Combination of modular housing

■ Standards

⚡ : Recognized E 60389

⚠ : R50287698

■ Specifications

- Current rating: J2000 Series (2 and 3 Module)
…3 A AC/DC (AWG #20)
J2000 Series (4 Module)
…2.5 A AC/DC (AWG #20)
J300 Series …5 A AC/DC (AWG #16)
- Voltage range: J2000 Series …250 V AC/DC
J300 Series …600 V AC/DC
- Temperature range: -55°C to +105°C
(including temperature rise in applying electrical current)

* Please note that the above general specifications may differ from the safety standards.

* In using the products, refer to “Handling Precaution for Terminals and Connectors” described on our website (Technical documents of Product information page).

* RoHS2 compliance

* Dimensional unit: mm

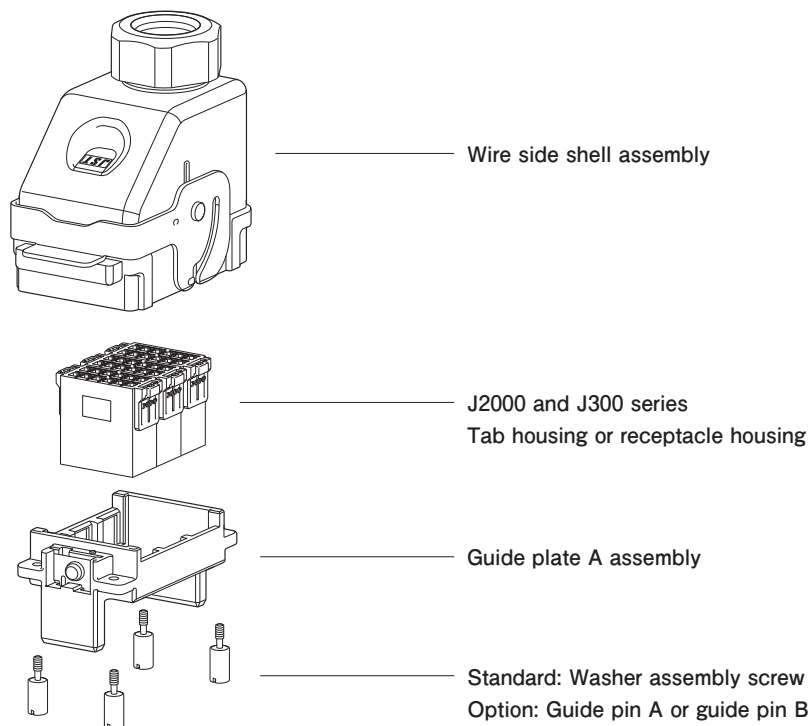
* Contact JST for details.

METAL SHELL SERIES / JFA-M

Components

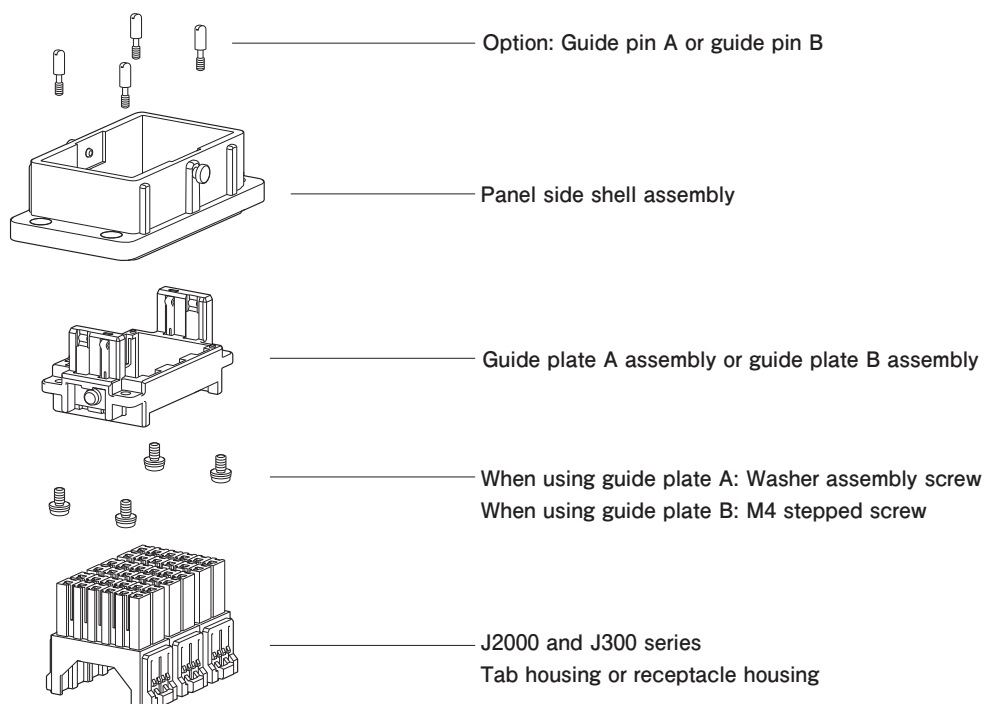
◆ Wire side

Shell assembly



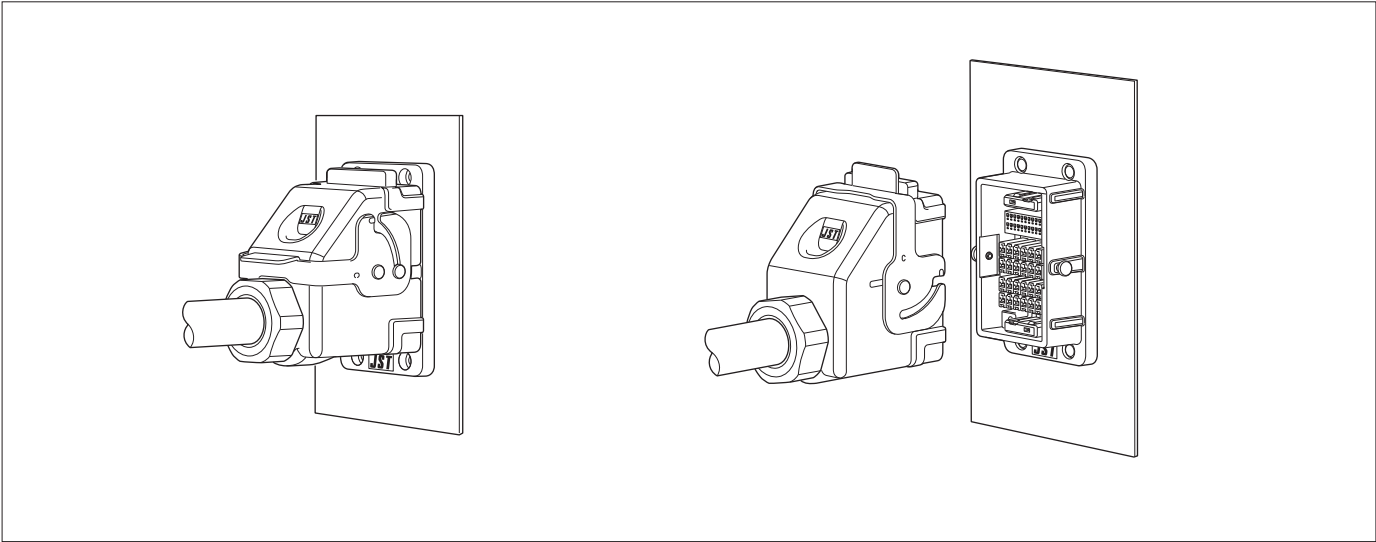
◆ Panel side

Shell assembly

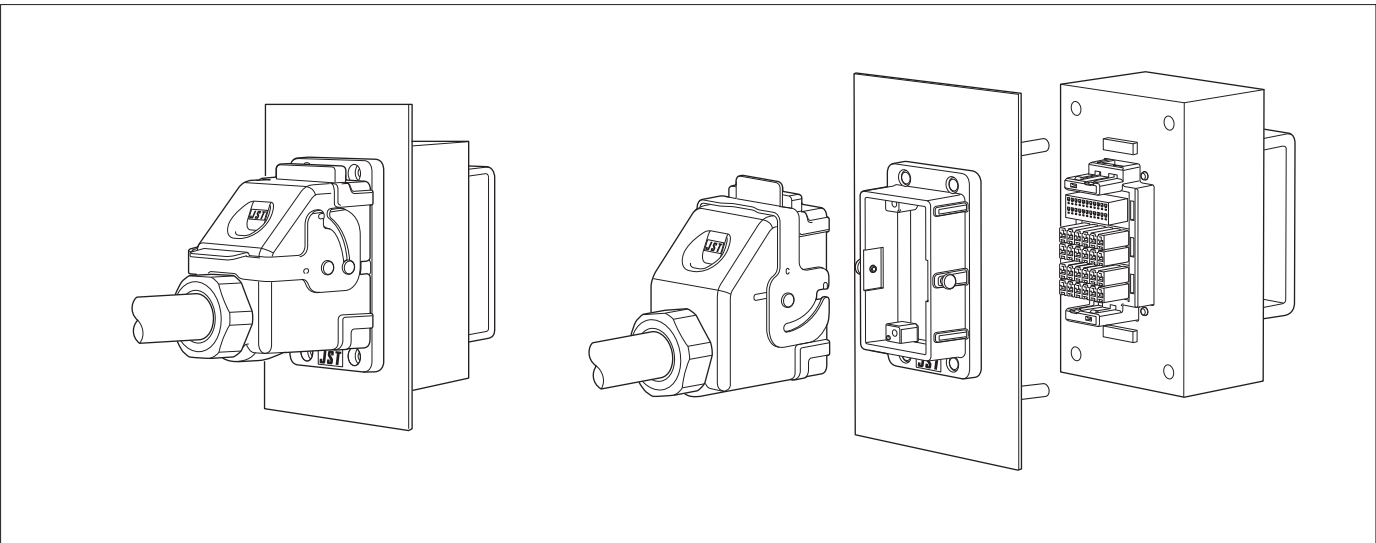


Examples of use

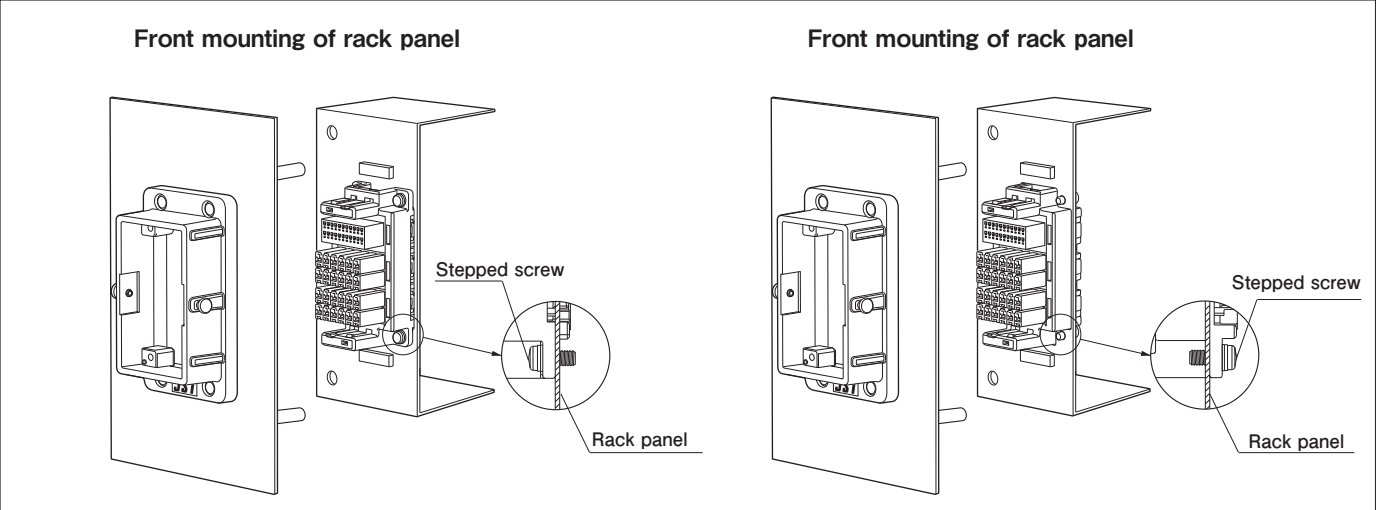
Waterproof I/O connector



Drawer type



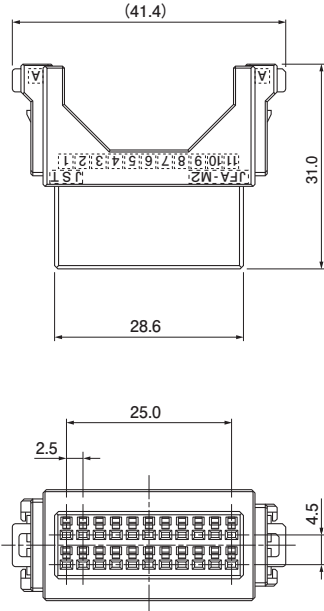
Drawer type (Rack mounting method)



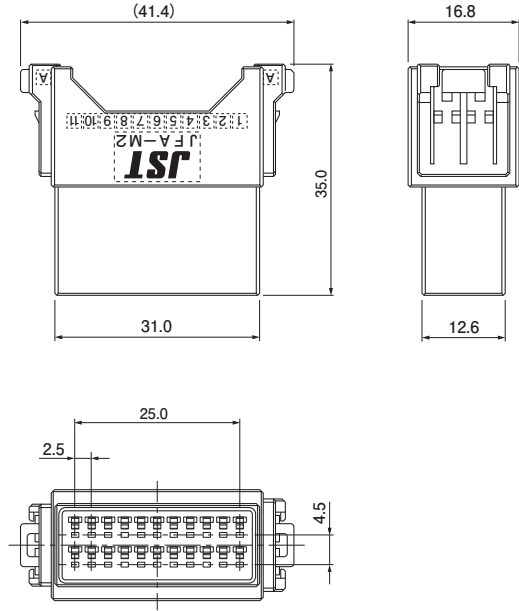
METAL SHELL SERIES / JFA-M

J2000 series housing (User for both panel mounting and drawer type)

● Receptacle housing
JFM2FDN-22V-K



● Tab housing
JFM2MDN-22V-K

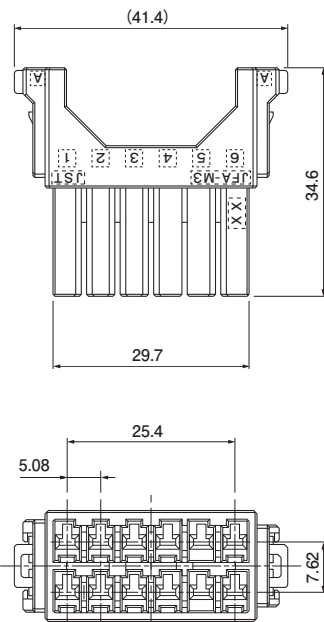


Note: Refer to the J2000 series receptacle contact and sequential tab contact page for the J2000 series contact.

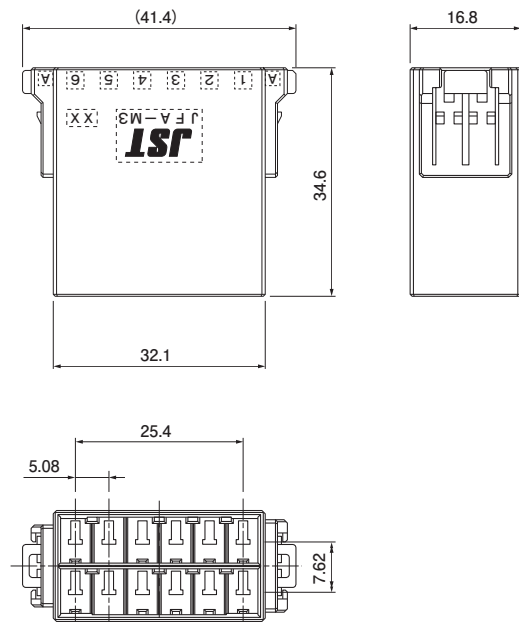
RoHS2 compliance

J300 series housing (User for both panel mounting and drawer type)

● Receptacle housing
JFM3FMN-12V-K



● Tab housing
JFM3MMN-12V-K

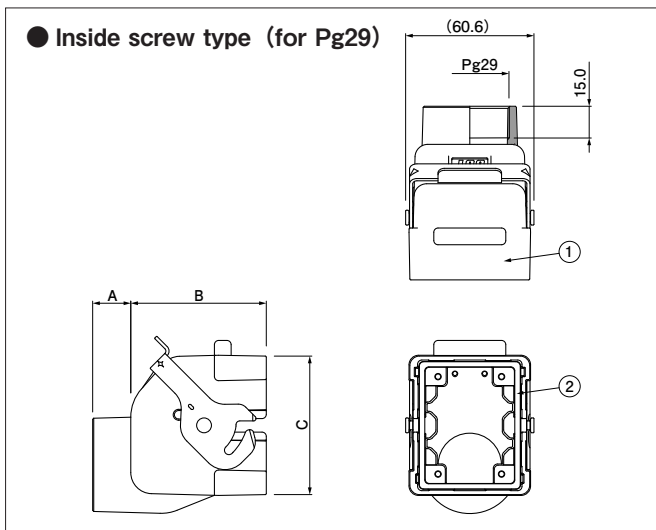
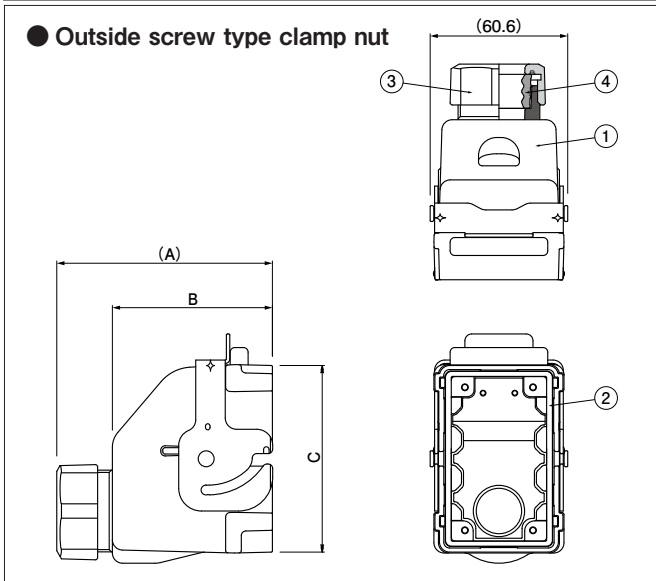


Note: Refer to the J300 series receptacle contact and tab contact page for the J300 series contact.

RoHS2 compliance

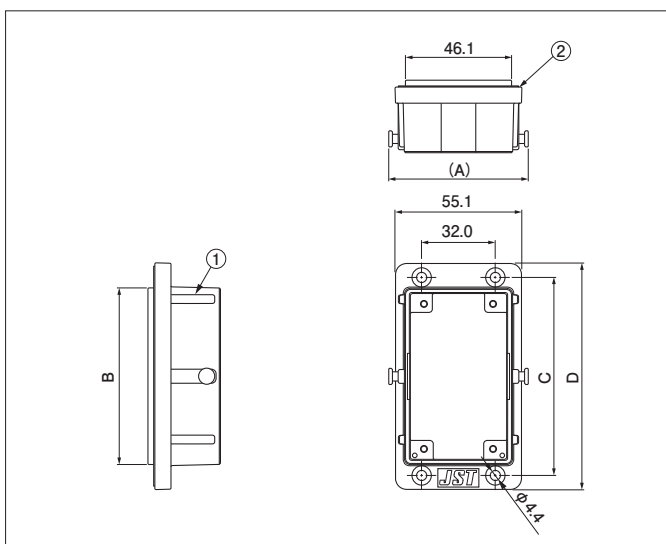
◆ Wire side

Shell assembly



◆ Panel side

Shell assembly



| No. of combining housing | Model No. | Applicable Cable O.D. (mm) | Dimensions (mm) | | |
|--------------------------|-------------|----------------------------|-----------------|------|------|
| | | | A | B | C |
| 3 Module | JFM-WSA-3-B | φ 20.2 to 22.0 | 95.0 | 70.5 | 82.0 |
| | JFM-WSA-3-C | φ 15.5 to 16.5 | 95.8 | | |
| 4 Module | JFM-WSA-4-A | φ 26.2 to 28.0 | 103.5 | 79.0 | 99.0 |
| | JFM-WSA-4-C | φ 15.5 to 16.5 | 104.3 | | |

| No. | Parts name | Q'ty |
|-----|-----------------|------|
| 1 | Wire side shell | 1 |
| 2 | Seal ring | 1 |
| 3 | Clamp nut | 1 |
| 4 | Clamp rubber | 1 |

RoHS2 compliance This product displays (PF) on a label.

| No. of combining housing | Model No. | Dimension (mm) | | |
|--------------------------|-------------|----------------|------|------|
| | | A | B | C |
| 2 Module | JFM-WSA-2-1 | 18.0 | 64.0 | 66.2 |

| No. | Part name | Q'ty |
|-----|-----------------|------|
| 1 | Wide side shell | 1 |
| 2 | Seal ring | 1 |

RoHS2 compliance

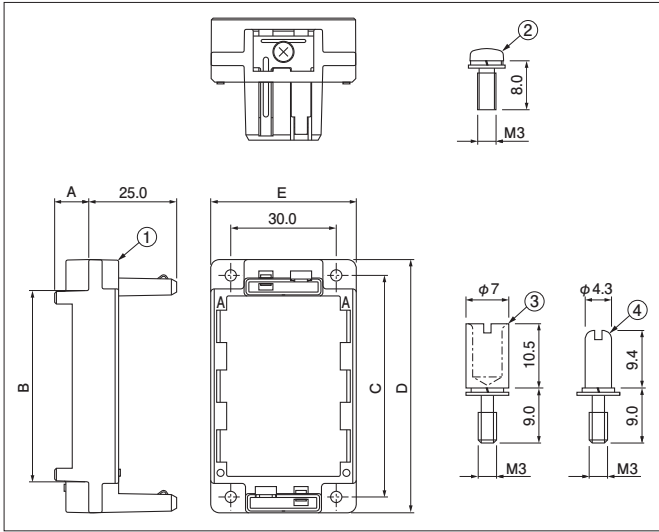
| No. of combining housing | Model No. | Dimensions (mm) | | | |
|--------------------------|-----------|-----------------|------|-------|-------|
| | | A | B | C | D |
| 2 Module | JFM-PSA-2 | 60.5 | 59.7 | 69.0 | 81.5 |
| 3 Module | JFM-PSA-3 | 60.6 | 76.7 | 86.0 | 98.5 |
| 4 Module | JFM-PSA-4 | 60.6 | 93.7 | 103.0 | 115.5 |

| No. | Parts name | Q'ty |
|-----|-------------------|------|
| 1 | Panel side shell | 1 |
| 2 | Seal rubber prate | 1 |

RoHS2 compliance JFM-PSA-3 and JFM-PSA-4 display (PF) on a label.

METAL SHELL SERIES / JFA-M

Guide plate A (With the combination of side and panel side shell assembly)



| No. of combining housing | Model No. | Dimensions (mm) | | | | |
|--------------------------|------------|-----------------|------|------|------|------|
| | | A | B | C | D | E |
| 2 Module | JFM-GPAK-2 | 9.6 | 37.4 | 46.0 | 54.8 | 41.9 |
| 3 Module | JFM-GPAK-3 | 9.7 | 54.4 | 63.0 | 72.0 | 41.4 |
| 4 Module | JFM-GPAK-4 | 9.7 | 71.4 | 80.0 | 89.0 | 41.4 |

| No. | Parts name | Q'ty |
|-----|------------------------|------|
| 1 | Guide plate A assembly | 1 |
| 2 | Washer assembly screw | 4 |
| 3 | Guide pin A JFM-PIA3-N | — |
| 4 | Guide pin B JFM-PIB3-N | — |

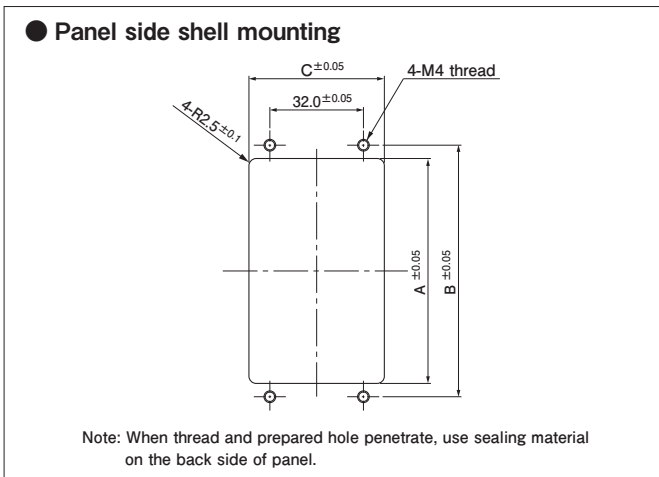
RoHS2 compliance
 Note: Guide pins A and B are optional parts.

Refer to the combinations list below for the guide pin A/B usage. (Shell mounting pattern at panel side)

| No. of guide pins | Pattern 1 | Pattern 2 | Pattern 3 | Pattern 4 | Pattern 5 | Pattern 6 |
|--|-----------|-----------|-----------|-----------|-----------|-----------|
| Guide pin A: 0 pcs. Guide pin B: 4 pcs. | | | | | | |
| Guide pin A: 1 pcs. Guide pin B: 3 pcs. | | | | | | |
| Guide pin A: 2 pcs. Guide pin B: 2 pcs. | | | | | | |
| Guide pin A: 3 pcs. Guide pin B: 1 pcs. | | | | | | |
| Guide pin A: 4 pcs. Guide pin B: 0 pcs. | | | | | | |

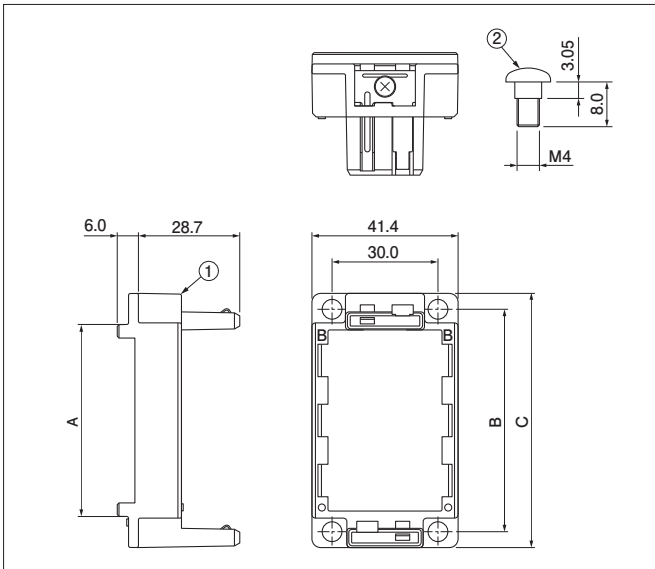
Note: Shell mounting pattern at wire side becomes opposite to the above pattern.

Panel cut dimensions



| No. of combining housing | Dimensions (mm) | | |
|--------------------------|-----------------|-------|------|
| | A | B | C |
| 2 Module | 60.0 | 69.0 | 46.4 |
| 3 Module | 76.9 | 86.0 | 46.3 |
| 4 Module | 93.9 | 103.0 | 46.3 |

Guide plate B



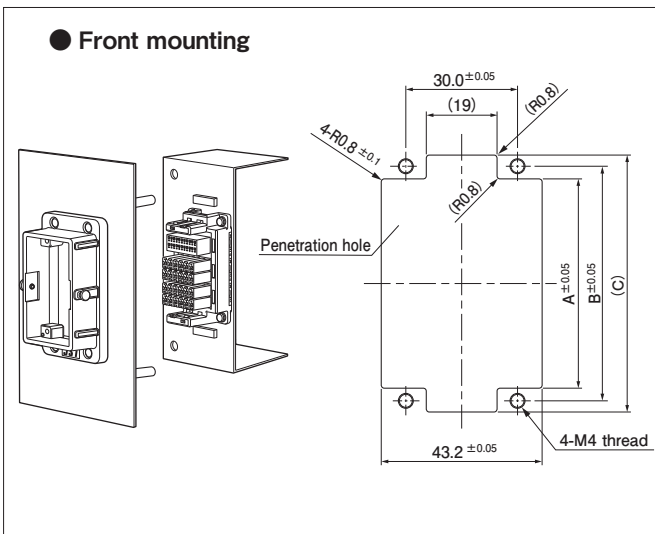
| No. of combining housing | Model No. | Dimensions (mm) | | |
|--------------------------|------------|-----------------|------|------|
| | | A | B | C |
| 3 Module | JFM-GPBK-3 | 54.4 | 63.0 | 72.0 |
| 4 Module | JFM-GPBK-4 | 71.4 | 80.0 | 89.0 |

| No. | Parts name | Q'ty |
|-----|------------------------|------|
| 1 | Guide plate B Assembly | 1 |
| 2 | M4 stepped screw | 4 |

RoHS2 compliance

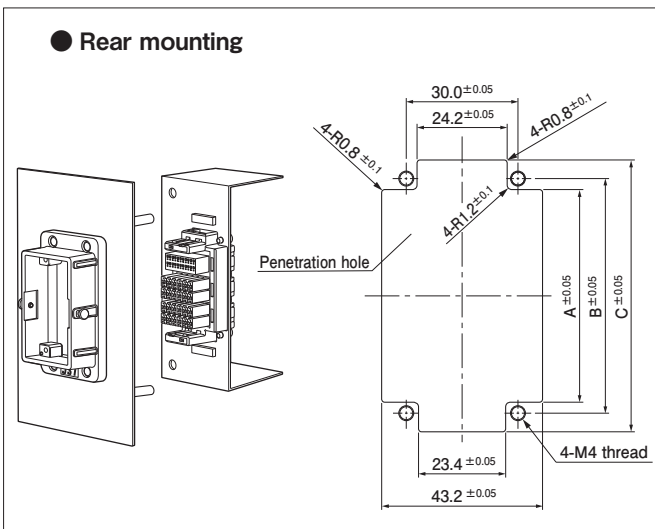
Drawer type rack panel cut dimensions

● Front mounting



| No. of combining housing | Dimensions (mm) | | |
|--------------------------|-----------------|------|------|
| | A | B | C |
| 3 Module | 56.2 | 63.0 | 69.0 |
| 4 Module | 73.2 | 80.0 | 86.0 |

● Rear mounting



| No. of combining housing | Dimensions (mm) | | |
|--------------------------|-----------------|------|------|
| | A | B | C |
| 3 Module | 57.1 | 63.0 | 73.0 |
| 4 Module | 74.1 | 80.0 | 90.0 |