

**PLEASE CHECK WWW.MOLEX.COM FOR LATEST PART INFORMATION**

**Part Number:** **5024302010**  
**Status:** **Active**  
**Overview:** [slimstack\\_mm016\\_pitch](#)  
**Description:** 0.40mm (.016") Pitch SlimStack™ Board-to-Board, Plug, SMT, Dual Row, Vertical Stacking, 1.00mm (.039") Stacking Height, With Solder Tabs, 20 Circuits

**Documents:**

[3D Model](#)  
[Drawing \(PDF\)](#)

[RoHS Certificate of Compliance \(PDF\)](#)

**General**

|                |                                       |
|----------------|---------------------------------------|
| Product Family | PCB Headers                           |
| Series         | <a href="#">502430</a>                |
| Application    | Board-to-Board                        |
| Overview       | <a href="#">slimstack_mm016_pitch</a> |
| Product Name   | SlimStack™                            |

**Physical**

|                                |                       |
|--------------------------------|-----------------------|
| Breakaway                      | No                    |
| Circuits (Loaded)              | 20                    |
| Color - Resin                  | Black                 |
| Durability (mating cycles max) | 30                    |
| Glow-Wire Compliant            | No                    |
| Mated Height (in)              | 0.039 In              |
| Mated Height (mm)              | 1.00 mm               |
| Material - Metal               | Phosphor Bronze       |
| Material - Plating Mating      | Gold                  |
| Material - Plating Termination | Gold                  |
| Number of Rows                 | 2                     |
| Orientation                    | Vertical              |
| PCB Locator                    | No                    |
| PCB Retention                  | Yes                   |
| Packaging Type                 | Embossed Tape on Reel |
| Pitch - Mating Interface (in)  | 0.016 In              |
| Pitch - Mating Interface (mm)  | 0.40 mm               |
| Polarized to Mating Part       | No                    |
| Polarized to PCB               | No                    |
| Stackable                      | No                    |
| Temperature Range - Operating  | -20°C to +85°C        |
| Termination Interface: Style   | Surface Mount         |

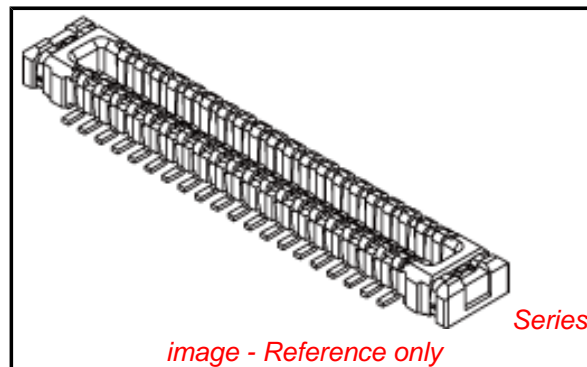
**Electrical**

|                               |                 |
|-------------------------------|-----------------|
| Current - Maximum per Contact | 0.3A            |
| Voltage - Maximum             | 50V AC (RMS)/DC |

**Material Info**

**Reference - Drawing Numbers**

|                         |   |
|-------------------------|---|
| Packaging Specification | SPK-502430-001  |
| Product Specification   | RPS-502426-001, RPS-502426-009, RPS-502426-010,<br>RPS-502426-013, RPS-502426-014, RPS-502426-016,<br>RPS-502426-017, RPS-502426-019, RPS-502426-020,<br>RPS-502426-021, RPS-502426-024 |
| Sales Drawing           | SD-502430-001, SD-502430-002  |



**EU RoHS**

**ELV and RoHS  
Compliant**  
**REACH SVHC**  
 Not Reviewed  
**Halogen-Free  
Status**  
**Not Reviewed**

**China RoHS**



**Need more information on product  
environmental compliance?**

Email [productcompliance@molex.com](mailto:productcompliance@molex.com)  
 For a multiple part number RoHS Certificate of Compliance, [click here](#)

Please visit the [Contact Us](#) section for any non-product compliance questions.

**Search Parts in this Series**

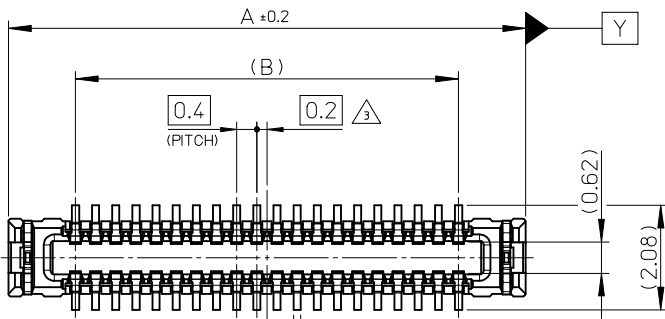
[502430Series](#)

**Mates With**

[502426](#) PCB Receptacle

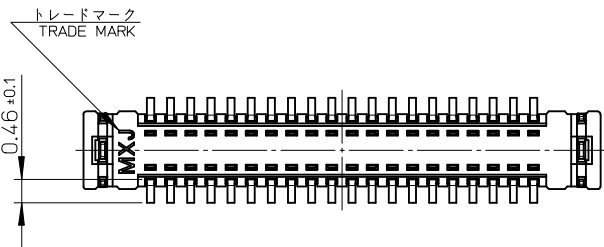
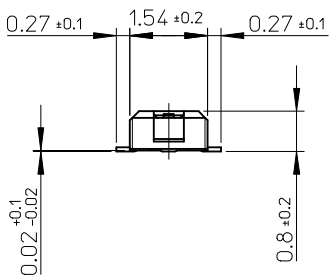
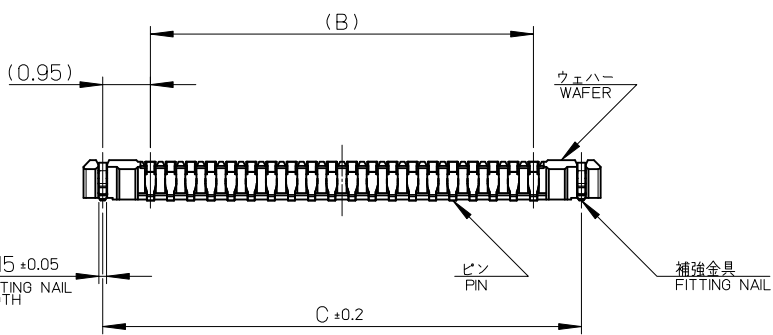
This document was generated on 05/26/2010

**PLEASE CHECK [WWW.MOLEX.COM](http://WWW.MOLEX.COM) FOR LATEST PART INFORMATION**



0.14 ±0.05  
PIN WIDTH

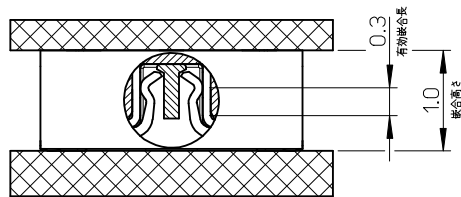
⊕ 0.15 Y



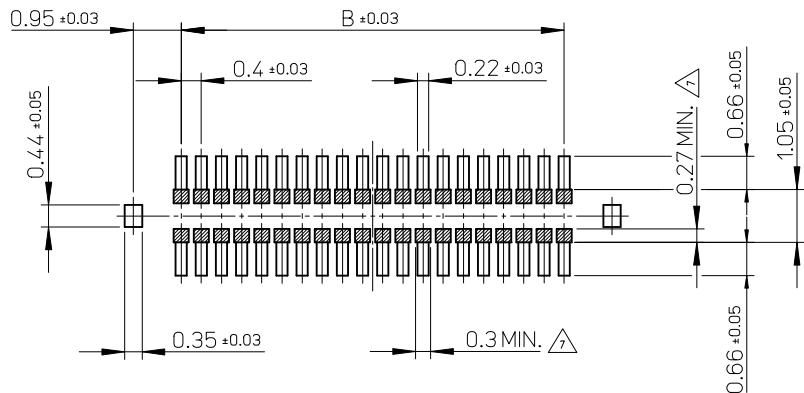
|      |      |       |                                      |                |
|------|------|-------|--------------------------------------|----------------|
| 17.5 | 15.6 | 18.26 | 502430-8010                          | 80             |
| 14.3 | 12.4 | 15.06 | 502430-6410                          | 64             |
| 13.5 | 11.6 | 14.26 | 502430-6010                          | 60             |
| 11.5 | 9.6  | 12.26 | 502430-5010                          | 50             |
| 10.3 | 8.4  | 11.06 | 502430-4410                          | 44             |
| 9.5  | 7.6  | 10.26 | 502430-4010                          | 40             |
| 8.3  | 6.4  | 9.06  | 502430-3410                          | 34             |
| 7.9  | 6.0  | 8.66  | 502430-3210                          | 32             |
| 7.5  | 5.6  | 8.26  | 502430-3010                          | 30             |
| 6.7  | 4.8  | 7.46  | 502430-2610                          | 26             |
| 6.3  | 4.4  | 7.06  | 502430-2410                          | 24             |
| 5.9  | 4.0  | 6.66  | 502430-2210                          | 22             |
| 5.5  | 3.6  | 6.26  | 502430-2010                          | 20             |
| 4.3  | 2.4  | 5.06  | 502430-1410                          | 14             |
| C    | B    | A     | EMBOSSED PACKAGE<br>オーダー番号 ORDER No. | 極数<br>CIRCUITS |

CONNECTOR SERIES No. 502430-\*\*19

|  |  |  |                            |                           |                    |  |  |  |                           |  |  |
|--|--|--|----------------------------|---------------------------|--------------------|--|--|--|---------------------------|--|--|
| REVISED<br>EC NO: J2010-0990<br>DRWN: TSUZUKI 01 2009/11/09<br>CHKD: THIRATA 2009/11/09<br>APPR: MSASAO 2009/11/10 | GENERAL TOLERANCES<br>(UNLESS SPECIFIED) |  | DIMENSION STYLE<br>MM ONLY |                           | SCALE<br>10:1      |  | DESIGN UNITS<br>METRIC                               |  | THIRD ANGLE<br>PROJECTION |  |  |
|  | 10 UNDER ± ---                           |  | DRAWN BY<br>RTAKEUCHI      |                           | DATE<br>2007/10/03 |  | TITLE<br>0.4 B-TO-B CONN. HGT=1.0<br>W=2.6 PLUG ASSY |  |                           |  |  |
|  | 10 OVER 30 UNDER ± ---                   |  | CHECKED BY<br>MSASAO       |                           | DATE<br>2007/10/03 |  | MOLEX INCORPORATED                                   |  |                           |  |  |
|  | 30 OVER ± ---                            |  | APPROVED BY<br>MSASAO      |                           | DATE<br>2007/10/03 |  | DOCUMENT NO.<br>SD-502430-001                        |  | SHEET NO.<br>1 OF 2       |  |  |
| ANGULAR ± --- °  |  | DRAFT WHERE APPLICABLE<br>MUST REMAIN<br>WITHIN DIMENSIONS |                            | MATERIAL NO.<br>SEE TABLE |                    | THIS DRAWING CONTAINS INFORMATION THAT IS PROPRIETARY TO MOLEX<br>INCORPORATED AND SHOULD NOT BE USED WITHOUT WRITTEN PERMISSION |  |  |                           |  |  |



嵌合断面図 (参考)  
MATED DRAWING (REFERENCE)



P.C. BOARD PATTERN LAYOUT  
(REFERENCE)

注記 NOTES

1. 使用材料 MATERIAL

ウェハー : 液晶ポリマー ( LCP ) ガラス充填 UL94V-0 ( 黒 )  
WAFER: LIQUID CRYSTAL POLYMER (GLASS FILLED) UL94V-0 (COLOR: BLACK)

ピン : りん青銅 (t=0.08)  
PIN : PHOSPHOR BRONZE (t=0.08)

金具 : りん青銅 (t=0.15)  
FITTING NAIL : PHOSPHOR BRONZE (t=0.15)

2. メッキ仕様 PLATING

ピン PIN

金メッキ : 0.1 マイクロメートル以上  
GOLD 0.1MICROMETER MINIMUM

下地メッキ : ニッケルメッキ 1.0 マイクロメートル以上  
UNDER PLATING : NICKEL 1.0MICROMETER MINIMUM

※コンタクト部とテール部はニッケルメッキによって分断されている金メッキです。  
DIVIDE INTO PARTS THE GOLD PLATING OF THE CONTACT AND THE TAIL PART BY THE NICKEL PLATING.

※封孔処理品

金具 FITTING NAIL

フラッシュ金メッキ  
FLASH Au PLATING

下地メッキ : ニッケルメッキ 1.0 マイクロメートル以上  
UNDER PLATING : NICKEL 1.0MICROMETER MINIMUM

△ (全極数 / 2) = 偶数の場合に適用。  
APPLY FOR (CIRCUIT/2)=EVEN.

4. 嵌合相手 : 502426 シリーズ  
MATE WITH : 502426 SERIES.

5. テール平坦度は、0.08 以下

テール及び金具の平坦度は、0.1 以下  
TAIL COPLANARITY TO BE 0.08MAXIMUM.  
TAIL AND FITTING NAIL COPLANARITY TO BE 0.1MAXIMUM.

6. ELV 及び RoHS 適合品  
ELV AND RoHS COMPLIANT.

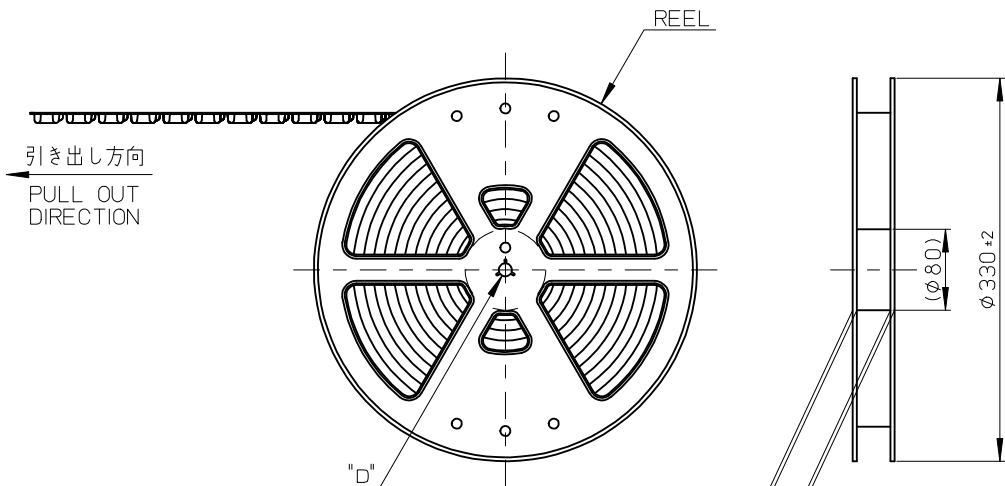
△ 斜線部はパターン書込み禁止範囲と半田禁止範囲を示す。

ただし、斜線部に同一配線を配置する場合はレジストを施し、この部分に半田は無きこと。  
NO PATTERN CIRCUIT AND NO SOLDER ALLOWED IN THE SHADED AREA.  
HOWEVER, IF NEEDED TO ADD A TRACE OF THE SAME CIRCUIT, PUT THE SOLDER-RESIST,  
YET NO SOLDER ALLOWED IN THE AREA.

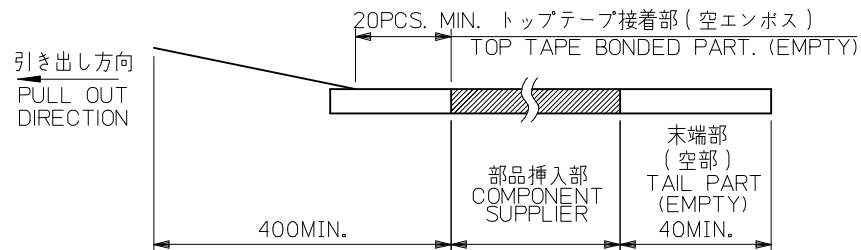
|   |                                       |                             |   |                     |  |                        |
|---|---------------------------------------|-----------------------------|---|---------------------|--|------------------------|
| REVISED<br>EC NO: J2010-0990<br>DRWN: TSUZUKI 2009/11/09<br>CHKD: THIRATA 2009/11/09<br>APPR: MSASAO 2009/11/10 | GENERAL TOLERANCES (UNLESS SPECIFIED) |                             | DIMENSION STYLE<br>MM ONLY  | SCALE<br>10:1       | DESIGN UNITS<br>METRIC                               | THIRD ANGLE PROJECTION |
|   | 10 UNDER                              | ± ---                       | DRAWN BY<br>RTAKEUCHI   | DATE<br>2007/10/03  | TITLE<br>0.4 B-TO-B CONN. HGT=1.0<br>W=2.6 PLUG ASSY |                        |
|   | 10 OVER 30 UNDER                      | ± ---                       | CHECKED BY<br>MSASAO  | DATE<br>2007/10/03  | MOLEX INCORPORATED                                   |                        |
|   | 30 OVER                               | ± ---                       | APPROVED BY<br>MSASAO   | DATE<br>2007/10/03  |  |                        |
| ANGULAR   | ± --- °                               | MATERIAL NO.<br>SEE SHEET 1 | DOCUMENT NO.<br>SD-502430-001   | SHEET NO.<br>2 OF 2 |  |                        |
| DRAFT WHERE APPLICABLE MUST REMAIN WITHIN DIMENSIONS  |                                       | SIZE<br>A3                  | THIS DRAWING CONTAINS INFORMATION THAT IS PROPRIETARY TO MOLEX INCORPORATED AND SHOULD NOT BE USED WITHOUT WRITTEN PERMISSION |                     |  |                        |

注記 NOTES

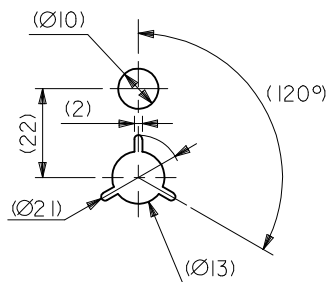
- 製品詳細寸法については製品単体図面を参照下さい。  
FOR DETAIL OF CONNECTOR DIMENSIONS,  
PLEASE SEE THE DRAWING OF CONNECTOR ITSELF (NOT PACKAGED).
- 梱包数量: 3000 個/リール  
NUMBER OF CONNECTORS : 3000PCS/REEL
- リードテープ長さ LEAD TAPE LENGTH



引き出し方向  
PULL OUT DIRECTION

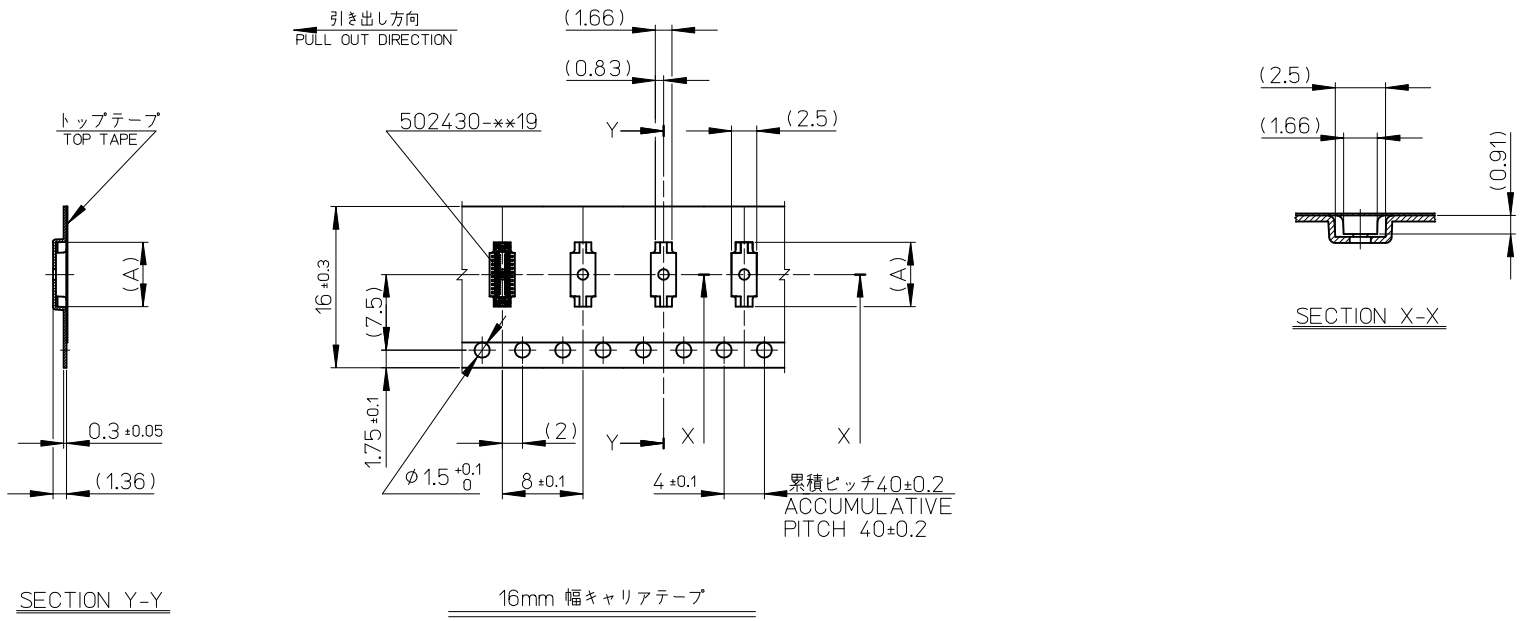


- 材料 MATERIAL  
キャリアテープ (CARRIER TAPE): ポリスチレン (POLYSTYRENE)  
トップテープ (TOP TAPE): PET, OTHER  
リール (REEL): ポリスチレン (PS) <リサイクル材を含む>  
POLYSTYRENE (PS) <RECYCLE MATERIAL CONTAINED>
- ELV及びRoHS適合品  
ELV AND RoHS COMPLIANT



DETAIL "D"

|   |                                       |  |                            |                    |   |                        |                          |
|---|---------------------------------------|--|----------------------------|--------------------|---|------------------------|--------------------------|
| REVISED<br>EC NO: J2010-0990<br>DRWN: TSUZUKI 2009/11/09<br>CHKD: THIRATA 2009/11/09<br>APPR: MSASAO 2009/11/10 | GENERAL TOLERANCES (UNLESS SPECIFIED) |  | DIMENSION STYLE<br>MM ONLY |                    | SCALE<br>---  | DESIGN UNITS<br>METRIC | MODEL NO.   502430-***10 |
|   | 10 UNDER                              | ±---   | DRAWN BY<br>RTAKEUCHI      | DATE<br>2007/10/03 | TITLE<br>0.4 B-TO-B CONN. HGT=1.0<br>PLUG ASSY EMBSTP PKG |                        |                          |
|   | 10 OVER 30 UNDER                      | ±---   | CHECKED BY<br>MSASAO       | DATE<br>2007/10/03 | MATERIAL NO.   SEE TABLE                                  |                        |                          |
|   | 30 OVER                               | ±---   | APPROVED BY<br>MSASAO      | DATE<br>2007/10/03 | DOCUMENT NO.   SD-502430-002                              |                        |                          |
|   | ANGULAR ±---°                         | DRAFT WHERE APPLICABLE<br>MUST REMAIN<br>WITHIN DIMENSIONS |                            | SIZE<br>A3         | SHEET NO.   1 OF 4  |                        |                          |



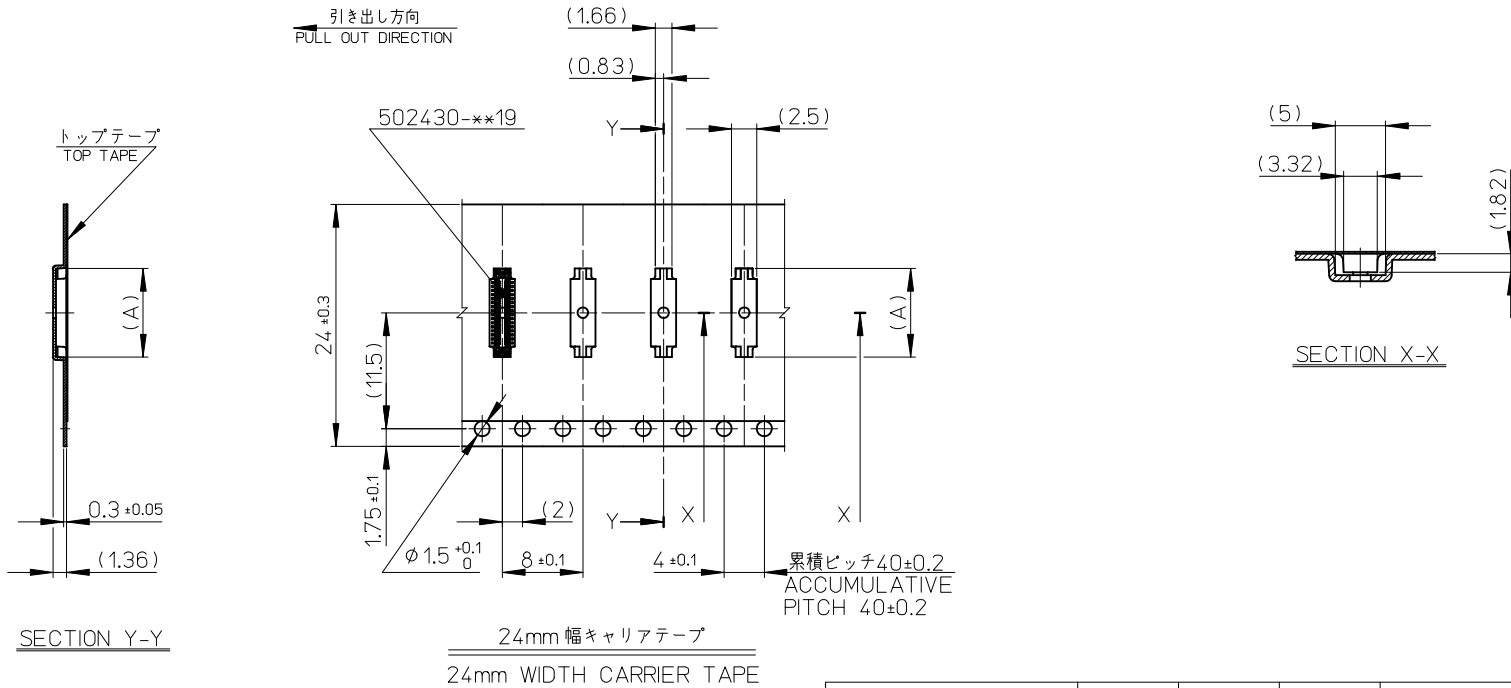
SECTION Y-Y

SECTION X-X

16mm 幅キャリアテープ  
16mm WIDTH CARRIER TAPE

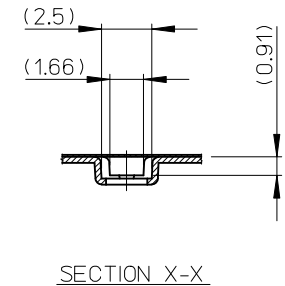
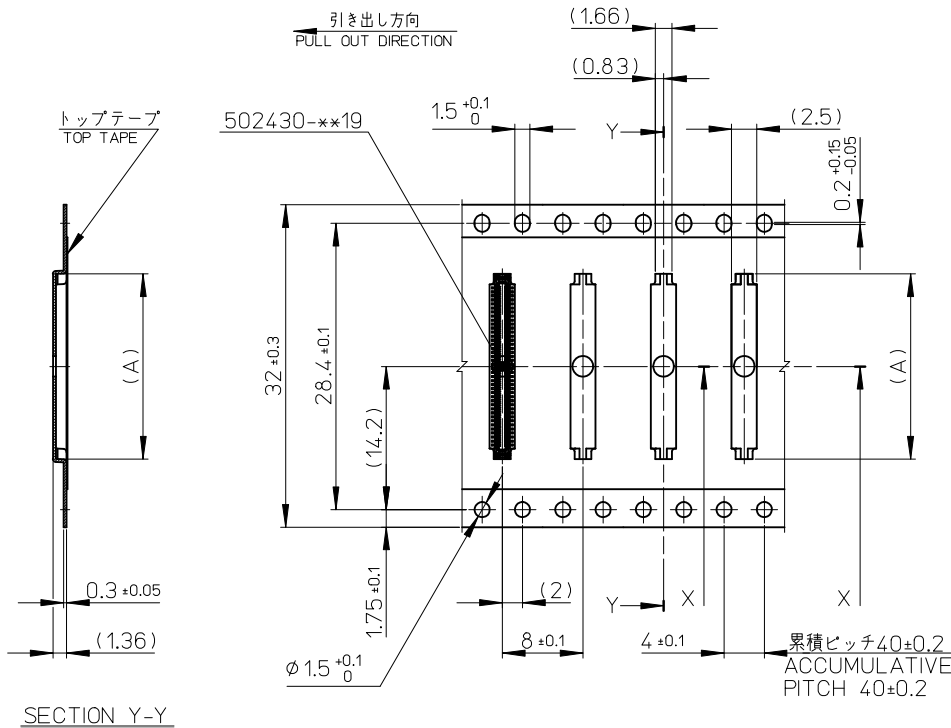
|                                |      |      |           |              |      |
|--------------------------------|------|------|-----------|--------------|------|
| 16                             | 21.4 | 17.4 | 7.58      | 502430-2610  | 26   |
|                                |      |      | 7.18      | 502430-2410  | 24   |
|                                |      |      | 6.78      | 502430-2210  | 22   |
|                                |      |      | 6.38      | 502430-2010  | 20   |
|                                |      |      | 5.18      | 502430-1410  | 14   |
| キャリアテープ幅<br>CARRIER TAPE WIDTH |      |      | (A)       | MATERIAL No. | CKT. |
|                                |      |      | MODEL No. | 502430-**10  |      |

|  |                    |                                       |       |   |                    |   |                        |                        |  |
|--|--------------------|---------------------------------------|-------|---|--------------------|---|------------------------|------------------------|--|
| REVISED<br>EC NO: J2010-0990<br>DRWN: TSUZUKI 01 2009/11/09<br>CHKD: THIRATA 2009/11/09<br>APPR: MSASAO 2009/11/10 | DESCRIPTION<br>REV | GENERAL TOLERANCES (UNLESS SPECIFIED) |       | DIMENSION STYLE<br>MM ONLY  |                    | SCALE<br>---  | DESIGN UNITS<br>METRIC | THIRD ANGLE PROJECTION |  |
|  |                    | 10 UNDER                              | ±---  | DRAWN BY<br>RTAKEUCHI   | DATE<br>2007/10/03 | TITLE<br>0.4 B-TO-B CONN. HGT=1.0<br>PLUG ASSY EMBSTP PKG |                        |                        |  |
|  |                    | 10 OVER 30 UNDER                      | ±---  | CHECKED BY<br>MSASAO  | DATE<br>2007/10/03 | APPROVED BY<br>MSASAO 2007/10/03                          |                        |                        |  |
|  |                    | 30 OVER                               | ±---  | MATERIAL NO.<br>SEE TABLE   |                    | DOCUMENT NO.<br>SD-502430-002                             |                        | SHEET NO.<br>2 OF 4    |  |
|  |                    | ANGULAR                               | ±---° | THIS DRAWING CONTAINS INFORMATION THAT IS PROPRIETARY TO MOLEX INCORPORATED AND SHOULD NOT BE USED WITHOUT WRITTEN PERMISSION |                    |   |                        |                        |  |
| DRAFT WHERE APPLICABLE MUST REMAIN WITHIN DIMENSIONS   |                    |                                       |       |   |                    |   |                        |                        |  |



|                                |             |      |              |             |             |
|--------------------------------|-------------|------|--------------|-------------|-------------|
| 24                             | 29.4        | 25.4 | 15.18        | 502430-6410 | 64          |
|                                |             |      | 14.38        | 502430-6010 | 60          |
|                                |             |      | 12.38        | 502430-5010 | 50          |
|                                |             |      | 11.18        | 502430-4410 | 44          |
|                                |             |      | 10.38        | 502430-4010 | 40          |
|                                |             |      | 9.18         | 502430-3410 | 34          |
|                                |             |      | 8.78         | 502430-3210 | 32          |
| 8.38                           | 502430-3010 | 30   |              |             |             |
| キャリアテープ幅<br>CARRIER TAPE WIDTH |             |      | C            | B           | (A)         |
|                                |             |      | MATERIAL No. |             | CKT.        |
|                                |             |      | MODEL No.    |             | 502430-**10 |

|  |  |                  |         |                 |  |                            |   |
|--|--|------------------|---------|-----------------|--|----------------------------|---|
| REVISED<br>EC NO: J2010-0990<br>DRWN: TSUZUKI 01 2009/11/09<br>CHKD: THIRATA 2009/11/09<br>APPR: MSASAO 2009/11/10 | DESCRIPTION<br>GENERAL TOLERANCES<br>(UNLESS SPECIFIED)    | 10 UNDER         | ± ---   | DIMENSION STYLE | SCALE  | DESIGN UNITS               | TITLE<br>0.4 B-TO-B CONN. HGT=1.0<br>PLUG ASSY EMBSTP PKG |
|  |  | 10 OVER 30 UNDER | ± ---   | MM ONLY         | ---  | METRIC                     |   |
|  |  | 30 OVER          | ± ---   | DRAWN BY        | DATE   | THIRD ANGLE PROJECTION     |   |
|  |  | ANGULAR          | ± --- ° | RTAKEUCHI       | 2007/10/03   |                            |   |
| DRAFT WHERE APPLICABLE<br>MUST REMAIN<br>WITHIN DIMENSIONS   | DRAFT WHERE APPLICABLE<br>MUST REMAIN<br>WITHIN DIMENSIONS |                  |         | CHECKED BY      | DATE   | MOLEX INCORPORATED         |   |
|  |  |                  |         | MSASAO          | 2007/10/03   | DOCUMENT NO. SD-502430-002 |   |
|  |  |                  |         | APPROVED BY     | DATE   | SHEET NO. 3 OF 4           |   |
|  |  |                  |         | MSASAO          | 2007/10/03   | SEE TABLE                  |   |
|  |  |                  |         | MATERIAL NO.    | THIS DRAWING CONTAINS INFORMATION THAT IS PROPRIETARY TO MOLEX<br>INCORPORATED AND SHOULD NOT BE USED WITHOUT WRITTEN PERMISSION |                            |   |



32mm 幅キャリアテープ  
32mm WIDTH CARRIER TAPE

|                                |      |      |       |              |              |
|--------------------------------|------|------|-------|--------------|--------------|
| 32                             | 37.4 | 33.4 | 18.38 | 502430-8010  | 80           |
| キャリアテープ幅<br>CARRIER TAPE WIDTH |      |      | C     | B            | (A)          |
|                                |      |      |       | MATERIAL No. | 502430-**x10 |
|                                |      |      |       | MODEL No.    | 502430-**x10 |

|   |                                       |  |                            |                    |   |                        |                        |
|---|---------------------------------------|--|----------------------------|--------------------|---|------------------------|------------------------|
| REVISED<br>EC NO: J2010-0990<br>DRWN: TSUZUKI 2009/11/09<br>CHKD: THIRATA 2009/11/09<br>APPR: MSASAO 2009/11/10 | GENERAL TOLERANCES (UNLESS SPECIFIED) |  | DIMENSION STYLE<br>MM ONLY |                    | SCALE<br>---  | DESIGN UNITS<br>METRIC | THIRD ANGLE PROJECTION |
|   | 10 UNDER                              | ±---   | DRAWN BY<br>RTAKEUCHI      | DATE<br>2007/10/03 | TITLE<br>0.4 B-TO-B CONN. HGT=1.0<br>PLUG ASSY EMBSTP PKG |                        |                        |
|   | 10 OVER 30 UNDER                      | ±---   | CHECKED BY<br>MSASAO       | DATE<br>2007/10/03 | MATERIAL NO.<br>SD-502430-002                             |                        |                        |
|   | 30 OVER                               | ±---   | APPROVED BY<br>MSASAO      | DATE<br>2007/10/03 | SHEET NO.<br>4 OF 4                                       |                        |                        |
|   | ANGULAR                               | ±---°  | SEE TABLE                  |                    | MATERIAL NO.<br>SD-502430-002                             |                        |                        |
| DRAFT WHERE APPLICABLE<br>MUST REMAIN<br>WITHIN DIMENSIONS  |                                       | THIS DRAWING CONTAINS INFORMATION THAT IS PROPRIETARY TO MOLEX<br>INCORPORATED AND SHOULD NOT BE USED WITHOUT WRITTEN PERMISSION |                            |                    |   |                        |                        |