

CATEGORY	DESCRIPTION	P/N #
CONNECTOR	RJ45 8P8C 带灯带弹	MJ5688-XX11-GRSLX

变更料号由原 MJ5688-BX11-GRSLX  
变更为 MJ5688-XX11-GRSLX

REV.	ECN NO	DESCRIPTION	REVISED	DATE
A06	—	新增LED灯颜色选项	XSY	2018.03.22
A07	—	新增LED灯颜色选项	YSY	2019.02.27
A08	ECN190713001	新增LED灯颜色选项	XSY	2019.07.13

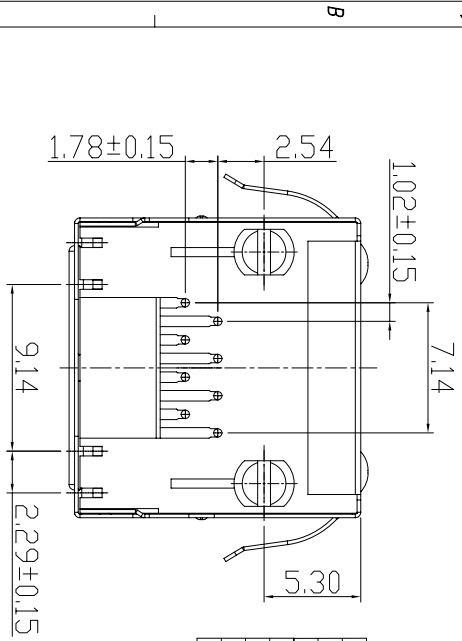
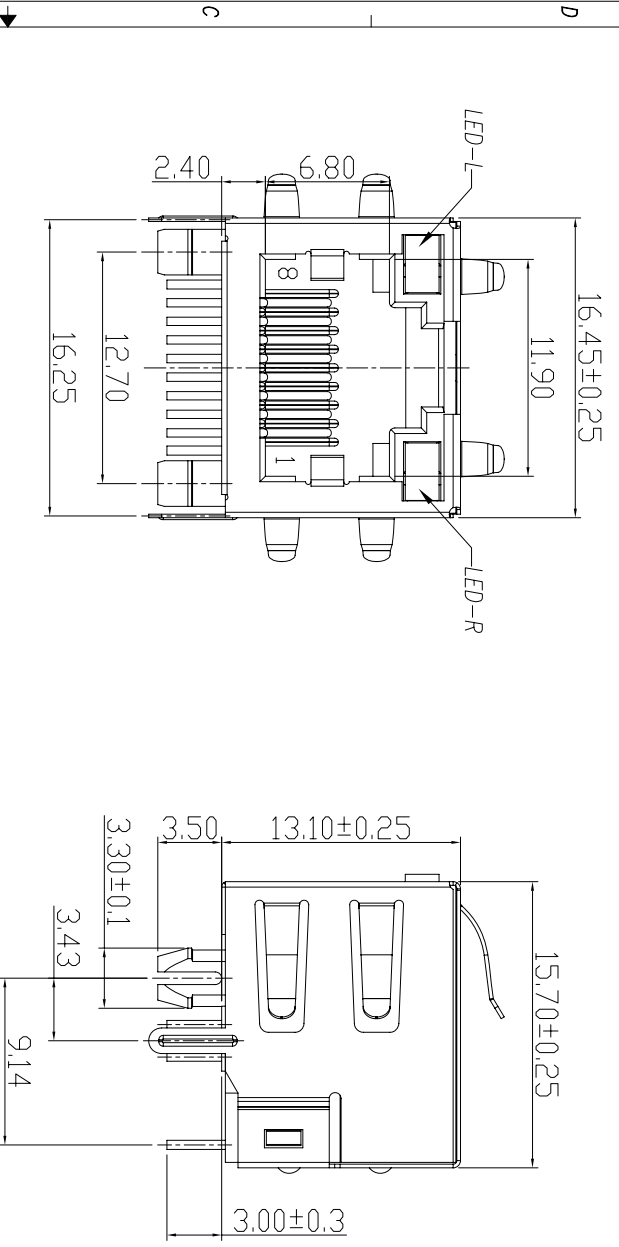


TABLE 3

X	COLOUR	PBT UL94V-0
B	BLACK	
U	BLUE	
Y	YELLOW	
1	BLACK	PA9T UL94V-0
2	BLUE	
3	YELLOW	

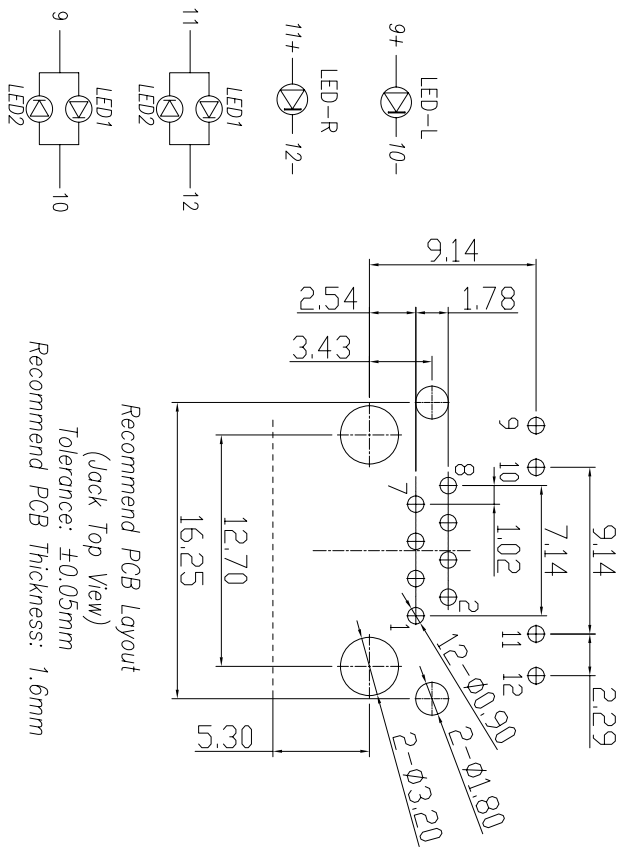
TABLE 2

X	Terminal Plating
0	G/F Plating
1	Au 3u" Plating
2	Au 6u" Plating
3	Au 15u" Plating

TABLE 1

X	LED-L	LED2	LED-R	LED2
0	Green	Green	Green	Green
1	Green	Yellow	Yellow	Yellow
2	Yellow	Green	Green	Green
3	Yellow 240µm	Green 240µm	Green	Orange
A	Green	Green	Green	Orange
B	Green	Orange	Green	Orange
O	Green	Green	Green	Orange
M	Green	Green	Green	Orange
C	Green	Green	Green	Yellow

- SPECIFICATION
- VOLTAGE RATING: 150 VAC RMS.
  - CURRENT RATING: 1.5 AMP
  - CONTACT RESISTANCE: 40 mΩ MAX
  - INSULATION RESISTANCE: 500MΩ MIN.
  - WITHSTAND VOLTAGE: AC1000V RMS 60s.
  - OPERATING TEMPERATURE: -40°C~+80°C




Recommend PCB Layout  
(Jack Top View)  
Tolerance: ±0.05mm  
Recommend PCB Thickness: 1.6mm

NO.	PART NAME	Q'TY	MATERIAL	PLATING & COLOR	Remark
e	LED-R	1	SEE TABLE 1	Tin PALTING	
d	LED-L	1	SEE TABLE 1	Tin PALTING	
c	SHELL	1	BRASS T=0.2mm	Ni PALTING	
b	TERMINAL	8	PHOSPHOR BRONZE Ø0.46mm	SEE TABLE 2	
a	HOUSING	1	SEE TABLE 3 UL94V-0	SEE TABLE 3	

UNLESS OTHERWISE SPECIFIED TOLERANCES

DECIMALS:	ANGLES:
X : ±0.5	X : ±2°
XX : ±0.3	XX : ±1°
XXX : ±0.2	


**东莞市合陵电子有限公司**  
 Dongguan Heling Electronic Co.,LTD  
 Connector

SCALE: 1/1 UNIT: mm DWG.NO:  
 SIZE: A3 PAGE: 1 OF 1 REV: A03  
 APPROVED BY: \_\_\_\_\_ CHECKED BY: \_\_\_\_\_ PREPARED BY: \_\_\_\_\_  
 DICK: XSY XSY XSY  
**CUSTOMER COPY**