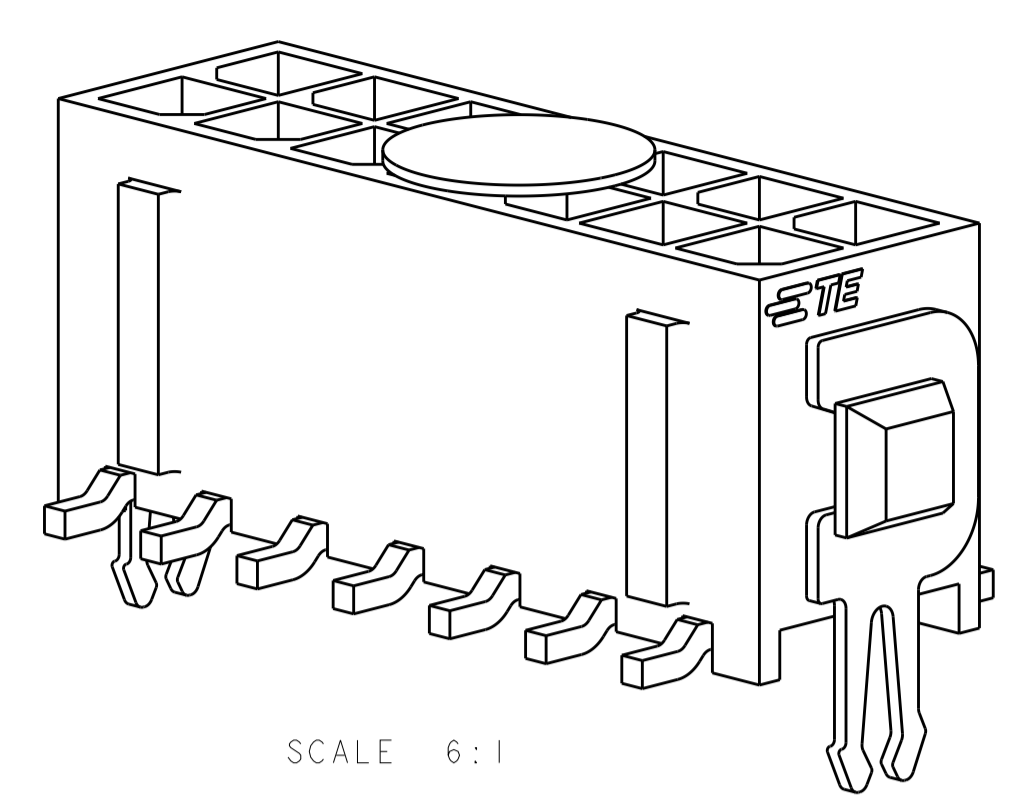
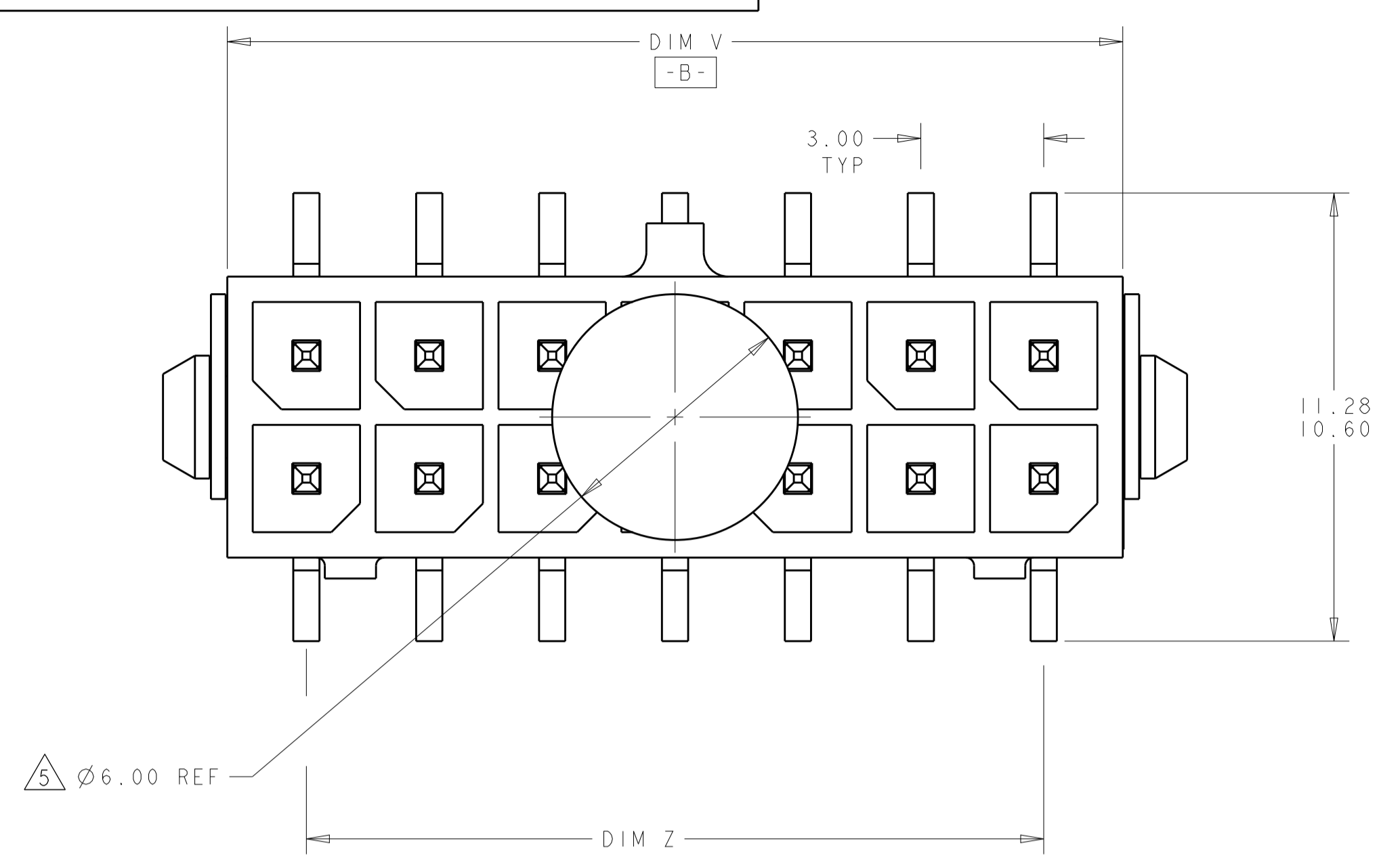
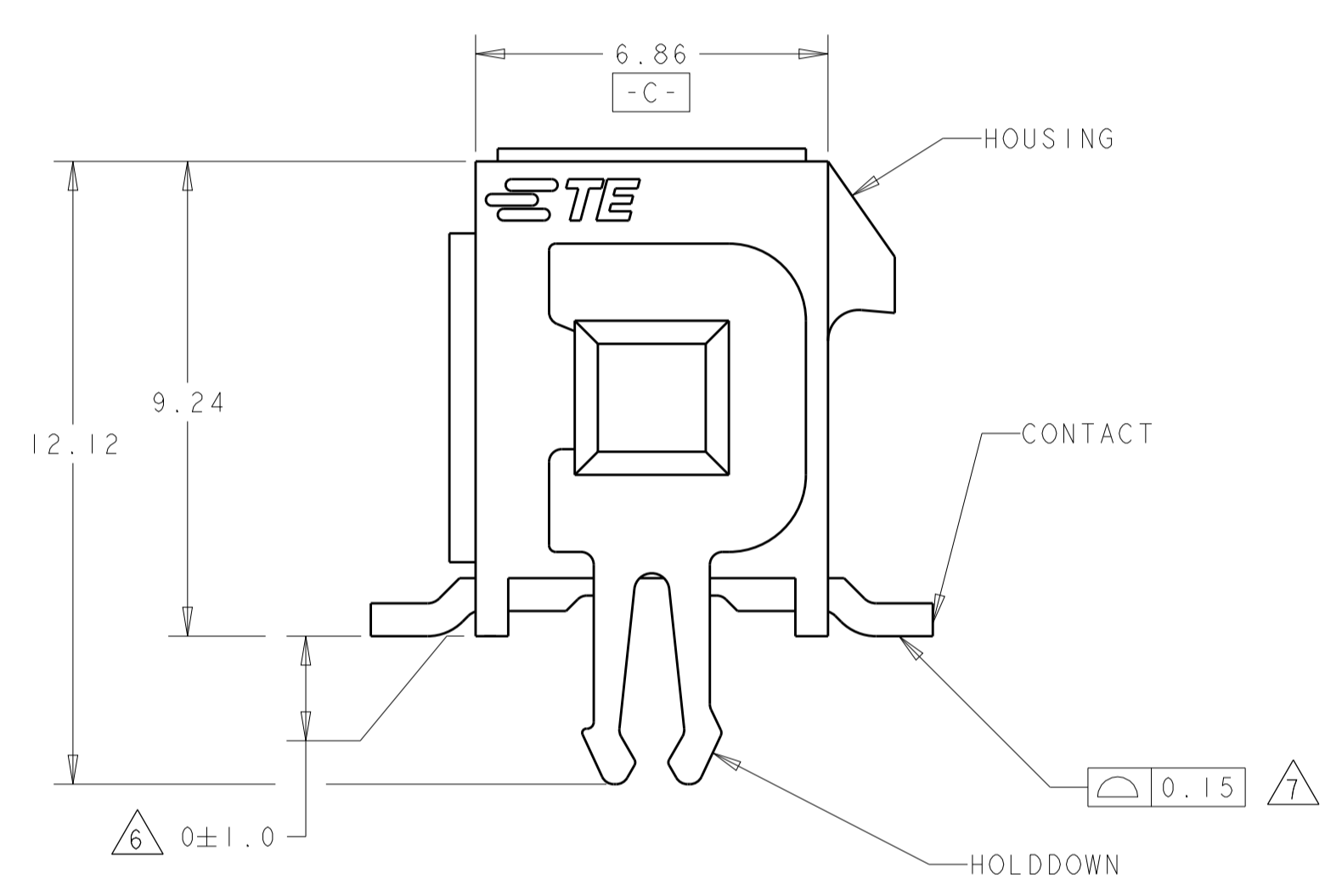
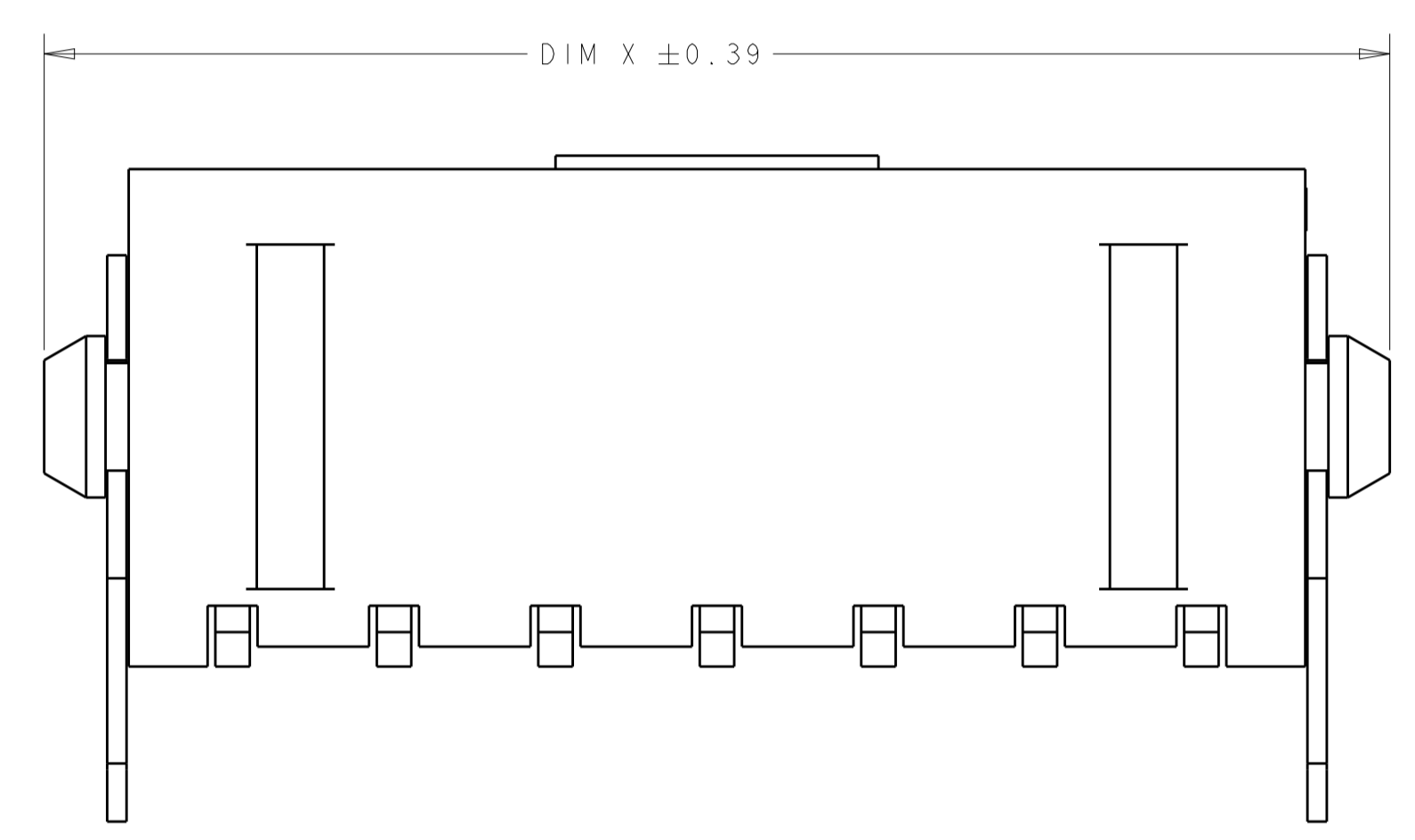


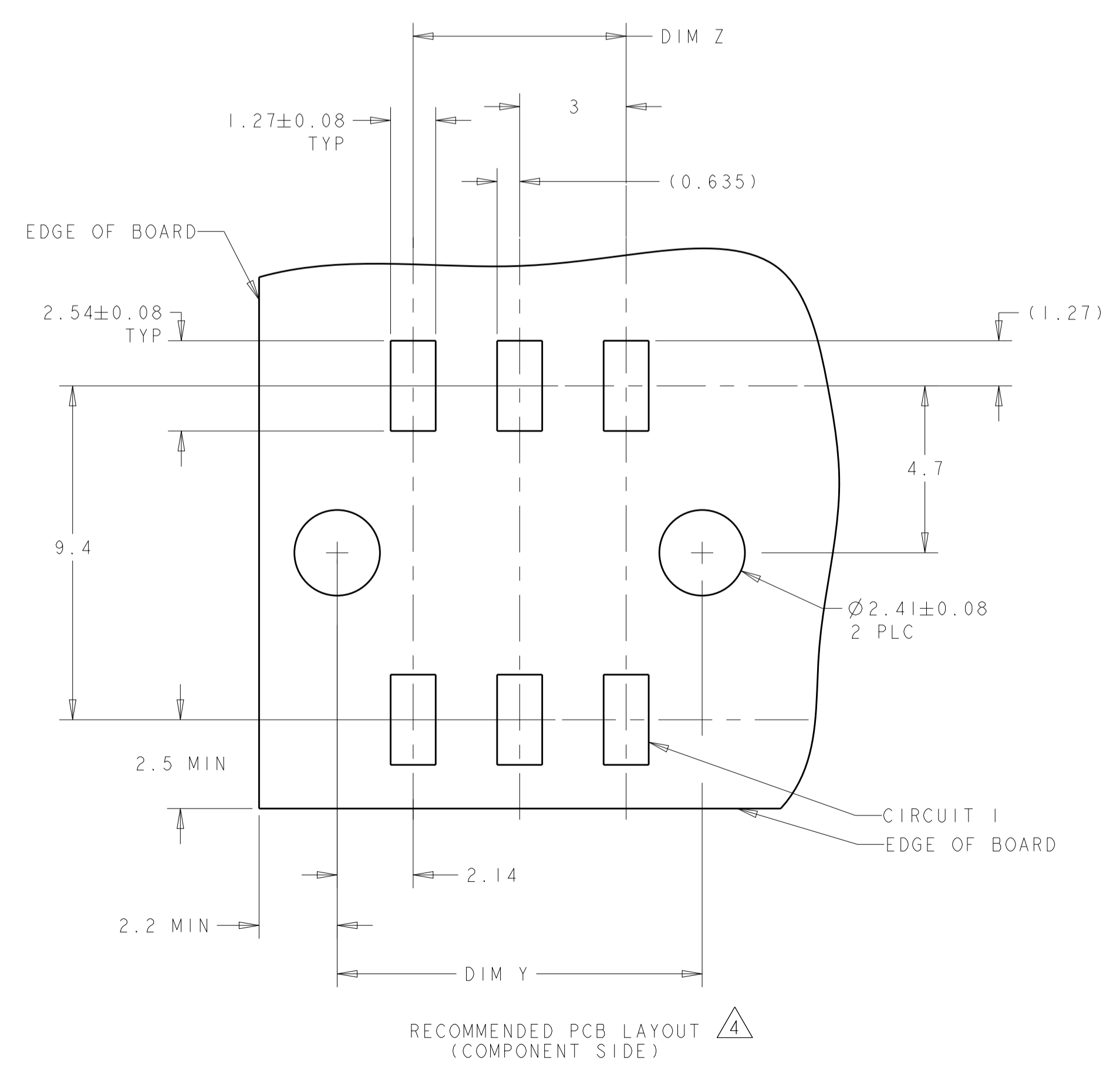
REVISIONS				
P.	LTN.	DESCRIPTION	DATE	APVD.
K		REVISED PER ECO-15-003291	27JULY2015	SC DZ



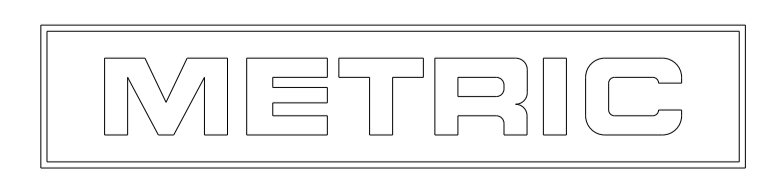
- 1 MATERIAL:
CONTACTS - BRASS.
HOUSING - UL 94V-0 RATED HIGH TEMP NYLON, COLOR; BLACK.
HOLDDOWNS - PHOSPHOR BRONZE.
- 2 PLATING:
CONTACTS - 0.76µm MINIMUM GOLD OVER 2.54µm MINIMUM NICKEL
ON MATING AREA. 2.54µm TIN-LEAD MINIMUM OVER 2.54µm MINIMUM
ON SOLDER TAILS.
HOLDDOWNS - 2.54µm TIN-LEAD.
- 4 RECOMMENDED PC BOARD THICKNESS OF 1.57.
- 5 KAPTON VACUUM PICK UP BUTTON.
- 6 DIMENSION APPLIES TO SOLDERTAIL SURFACES
AND STANDOFF SURFACES.
- 7 ALL SOLDERTAILS.
- 8 PLATING:
CONTACTS - 0.76µm MINIMUM GOLD OVER 2.54µm MINIMUM NICKEL
ON MATING AREA. 2.54µm MATTE TIN MINIMUM OVER 2.54µm MINIMUM
ON SOLDER TAILS.
HOLDDOWNS - 2.54µm MATTE TIN.



UNREEL DIRECTION
OF REVERSE TAPED



PACKAGING	FINISH	DIM V	DIM Y	DIM Z	DIM X	NO. OF POSN.	PART NUMBER
REVERSE TAPED	8	21.86	22.30	18.00	25.00	14	7-794635-4
TAPED	8	36.86	37.30	33.00	40.00	24	5-794635-4
TAPED	8	33.86	34.30	30.00	37.00	22	5-794635-2
TAPED	8	30.86	31.30	27.00	34.00	20	5-794635-0
TAPED	8	27.86	28.30	24.00	31.00	18	4-794635-8
TAPED	8	24.86	25.30	21.00	28.00	16	4-794635-6
TAPED	8	21.86	22.30	18.00	25.00	14	4-794635-4
TAPED	8	18.86	19.30	15.00	22.00	12	4-794635-2
TAPED	8	15.86	16.30	12.00	19.00	10	4-794635-0
TAPED	8	12.86	13.30	9.00	16.00	8	3-794635-8
TAPED	8	9.86	10.30	6.00	13.00	6	3-794635-6
TAPED	8	6.86	7.30	3.00	10.00	4	3-794635-4
LOOSE PIECE	8	3.86	4.30	-	7.00	2	3-794635-2
TAPED	2	36.86	37.30	33.00	40.00	24	2-794635-4
TAPED	2	33.86	34.30	30.00	37.00	22	2-794635-2
TAPED	2	30.86	31.30	27.00	34.00	20	2-794635-0
TAPED	2	27.86	28.30	24.00	31.00	18	1-794635-8
TAPED	2	24.86	25.30	21.00	28.00	16	1-794635-6
TAPED	2	21.86	22.30	18.00	25.00	14	1-794635-4
TAPED	2	18.86	19.30	15.00	22.00	12	1-794635-2
TAPED	2	15.86	16.30	12.00	19.00	10	1-794635-0
TAPED	2	12.86	13.30	9.00	16.00	8	794635-8
TAPED	2	9.86	10.30	6.00	13.00	6	794635-6
TAPED	2	6.86	7.30	3.00	10.00	4	794635-4
LOOSE PIECE	2	3.86	4.30	-	7.00	2	794635-2



THIS DRAWING IS A CONTROLLED DOCUMENT. DIMENSIONS: mm. TOLERANCES UNLESS OTHERWISE SPECIFIED: 0 PLC ±, 1 PLC ±, 2 PLC ±0.13, 3 PLC ±, 4 PLC ±, ANGLES ±.

APVD: C. JONES. DATE: 19-MAR-2003. NAME: SURFACE MOUNT, VERTICAL, MECHANICAL HOLDDOWN, ASSEMBLY, 30 GOLD HEADER, DUAL ROW, MICRO MATE-N-LOK(TM). SIZE: A100779C=794635. SHEET 1 OF 1. REV K.

STE TE Connectivity