

PRODUCT NUMBER
75160-YXX-XXLF

WHEN REQUIRED, ADD SUFFIX LETTER "LF"
INDICATES THE PRODUCT IS RoHS COMPLIANT
& COMPATIBLE, SEE NOTE 8

TOTAL NB OF POSITIONS 02 TO 36

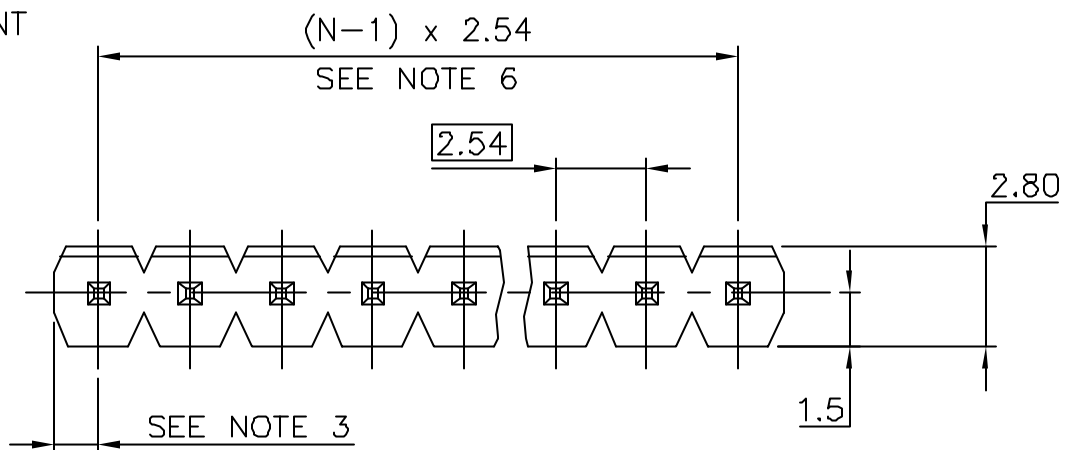
PIN STYLE SEE SHEET 2

PLATING:

1 = 0.76µm FULL GOLD, OVER 1.27µm Ni MIN

3 = 3.81µm FULL TIN/LEAD OVER 1.27µm Ni MIN.
WHEN "LF" IS REQUIRED, 2µm MATTE TIN OVER
1.27µm MIN NICKEL IS PROVIDED INSTEAD OF TIN-LEAD

8 = 0.38µm FULL GOLD, OVER 1.27µm Ni MIN



NOTES:

1. HOUSING MAT'L : HIGH TEMPERATURE THERMOPLASTIC
FLAME RETARDANT PER UL94-V0, COLOR BLACK.

2. PIN MATERIAL : PHOSPHOR BRONZE.

3. DIM 1.27^{+0.03}/_{-0.13} FOR MOULDED SIDE(S)
ONLY. IF SIDE(S) ARE BROKEN, DIM 1.02
TO 1.7 MAX APPLIES.

4. PIN PUSH OUT FORCE : 12N MIN.

5. PRODUCT PACKAGED IN POLY BAGS.

6. TO DETERMINE DIMENSIONS :
N = NUMBER OF POSITIONS
EXAMPLE : 8 POS N x 2.54 = 20.32mm

7. FOR STANDARD SELECTIVE GOLD PLATED
PRODUCTS, SEE DRAWING 77311.

8. RoHS COMPATIBLE PRODUCT SPECIFICATIONS

a - SUFFIX "LF" IS ADDED JUST FOR EASY

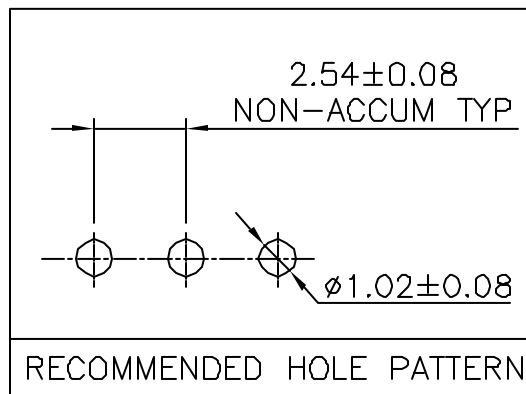
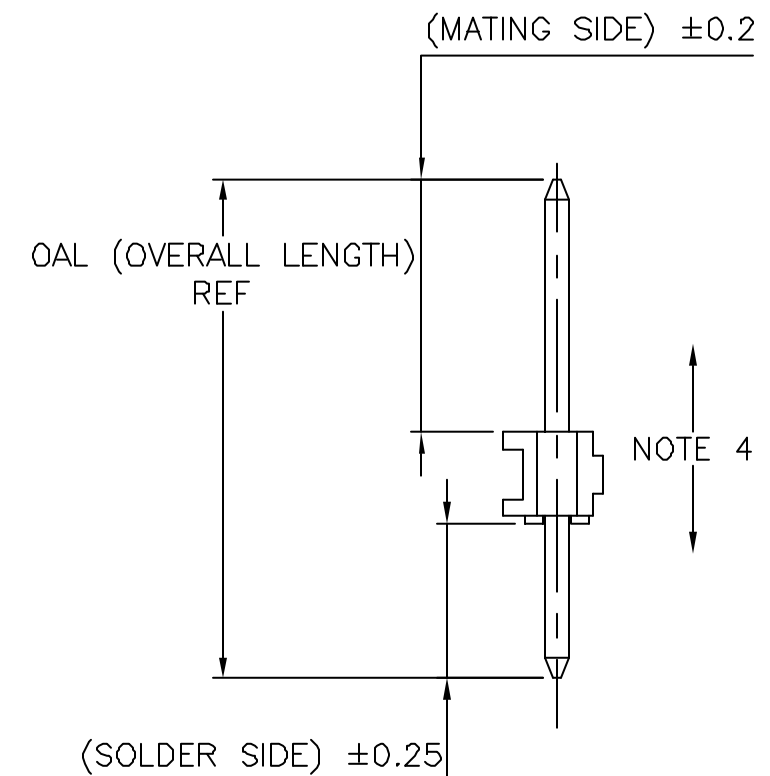
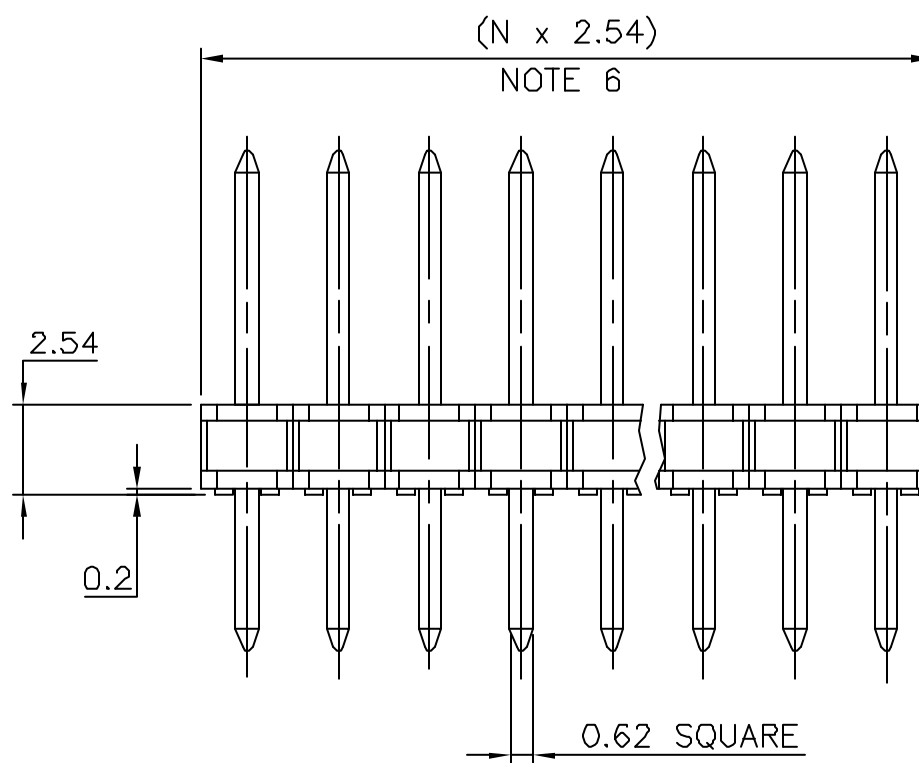
b - MANUFACTURING PROCESS COMPATIBILITY

- THE HOUSING WILL WITHSTAND EXPOSURE TO
260°C ±5°C SOLDER BATH TEMPERATURE FOR
5 SECONDS IN A WAVE SOLDER APPLICATION
WITH A 1.6mm MIN THICK CIRCUIT BOARD.

c - LABELING:

- MEETS PACKAGING SPECS AS PER GS-14-920

d - LEGAL STATEMENT: SEE GS-22-008

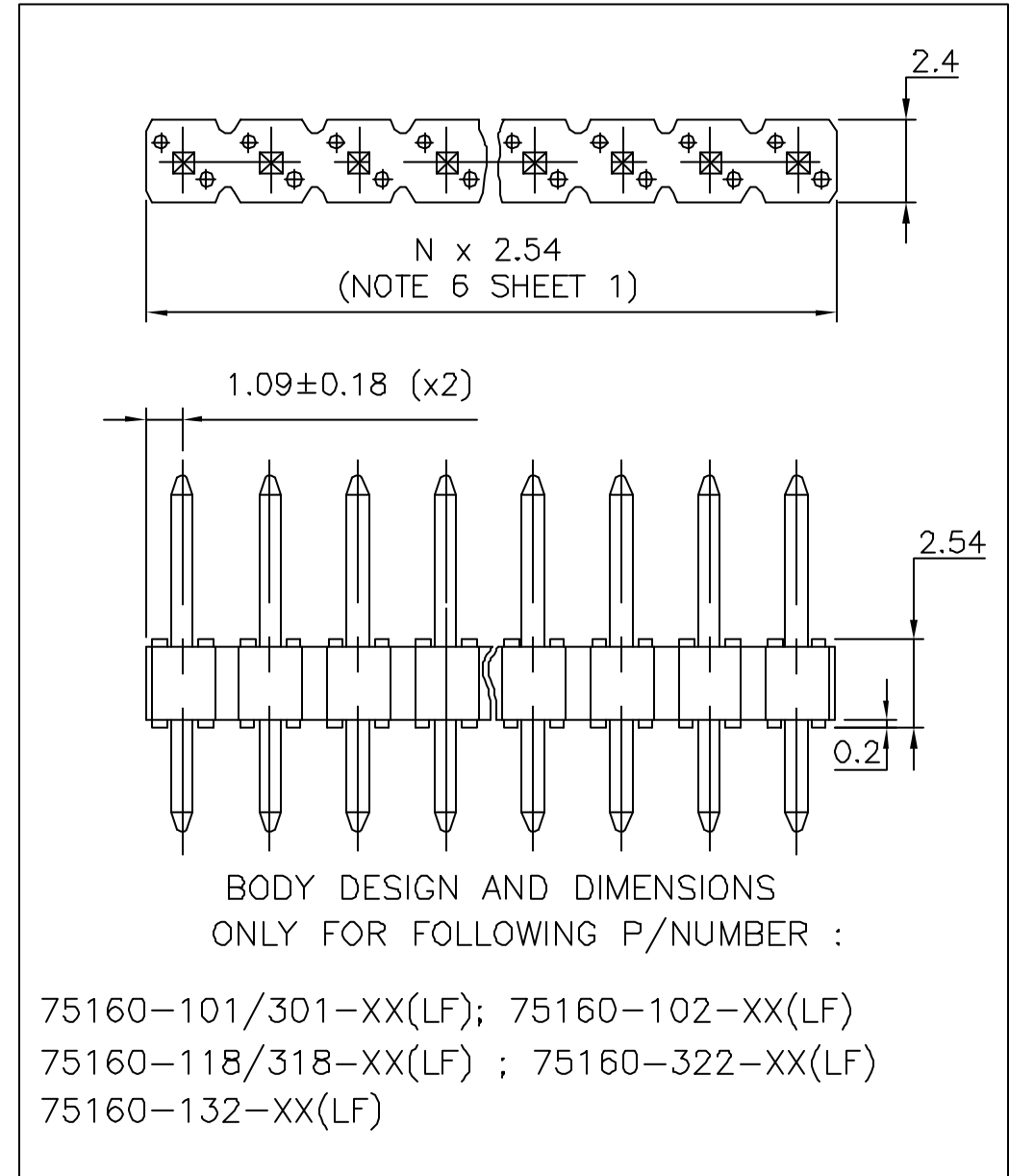


mat'l. code		surface		tolerance		projection		product family	
SEE NOTES		ISO 1302 ✓		ISO 406 ISO 1101		mm		BERGSTIK	
Ltr	ecn no	dr	date	tolerances unless otherwise specified		mm		title	
BR	F20607	LMU	03.12.03	angles	.x ±0.3	mm		HEADER SR,STR	
BS	F03079	LMU	03.04.04	Linear	.xx ±0.15	mm		2.54mm PITCH	
BT	F05-0186	JCO	05.04.29		xxx ±0.05	scale 5:1		dwg no	
BU	F06-0196	LMU	06.06.20	dr	D LEGRAND	02.01.15		sheet 1 of 2	
				enr	JMC	02.01.15		size	
BN	F20149	DLE	02.02.19	chr	COMPAGNON	02.01.15		75160	
BP	F20301	LMU	02.04.22	appd	JMC	02.01.15		A3	
sheet index	revision	BU	BJ					type	
	sheet	1	2					CUSTOMER Drawing	

APPLICATION SPECIFIC			
PIN STYLE	MATING	SOLDER	OAL
01	5.72	2.54	10.8
02	5.84	3.43	11.81
03	5.72	5.09	13.34
04	5.72	7.62	15.88
05	5.72	10.16	18.42
06	5.72	12.7	20.96
07	5.72	15.24	23.5
08	5.72	17.78	26.04
09	5.72	20.32	28.58
10	5.72	22.86	31.12
11	5.72	5.97	14.22
12	5.72	8.51	16.76
13	5.72	11.05	19.3
14	5.72	16.13	24.38
15	8.51	2.54	13.59
16	8.51	5.51	16.56
17	8.51	10.59	21.64
18	5.72	3.05	11.3
19	12.83	3.05	18.42
20	15.37	3.05	20.96
21	20.45	3.05	26.04
22	7.75	3.05	13.34
23	5.84	4.95	13.34
24	7.21	3.05	12.8
25	8.51	3.18	14.22
26	15.57	2.84	20.96

APPLICATION SPECIFIC			
PIN STYLE	MATING	SOLDER	OAL
27	6.6	2.67	11.81
28	6.6	4.19	13.34
29	17.53	3.43	23.5
30	22.61	3.43	28.58
31	8.2	2.84	13.59
32	10.29	3.05	15.88
35	25.21	3.37	31.12
38	5.84	3.81	12.19
39	11.17	3.05	16.76
41	4.99	2.8	10.33
43	6.98	4.8	14.32
44	12.27	3.35	18.16
46	8.08	2.72	13.34
48	5.84	2.42	10.8
50	5.84	3.12	11.5
56	5.72	3.05	11.3
61	16.61	3.2	22.35
62	13.5	3.05	19.09
70	6.54	3.5	12.57
73	28.4	3.18	34.12
75	16.47	10.3	29.31
79	3.3	3.3	9.14
80	8.07	2.2	12.81
90	1.9	3.56	8
95	15.96	4	22.5
96	5.84	3.43	11.81

APPLICATION SPECIFIC			
PIN STYLE	MATING	SOLDER	OAL
97	7.75	3.05	13.34
98	10.29	3.05	15.88



mat'l. code		surface		tolerance		projection		product family	
SEE P/N		ISO 1302		ISO 406 ISO 1101		mm		BERGSTIK	
ltr	ecn no	dr	date	tolerances unless otherwise specified		mm		title	
BH	F05-0186	JCO	05.04.29	angles	.x ±0.3	mm		HEADER STR,SR.	
BJ	F06-0196	LMU	06.06.20	Linear	.xx ±0.15	scale 5:1		2.54mm PITCH	
					xxx ±0.05			dwg no	
BD	F20116	DLE	02.01.15	dr	MULIN.L	99.04.07		sheet 2 of -	
BE	F20301	LMU	02.04.23	enr	JMC	99.04.07		size	
BF	F20607	LM	03.12.03	chr				75160	
BC	F03079	LMU	03.04.04	appd	JMC	99.04.07		A3	
sheet index	revision sheet							type	
								CUSTOMER Drawing	