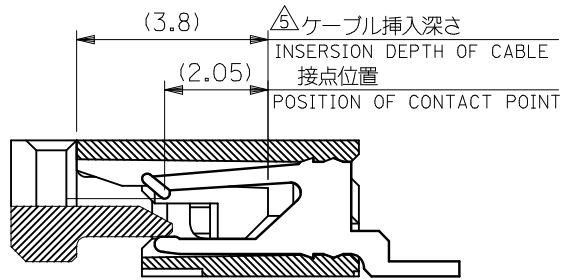


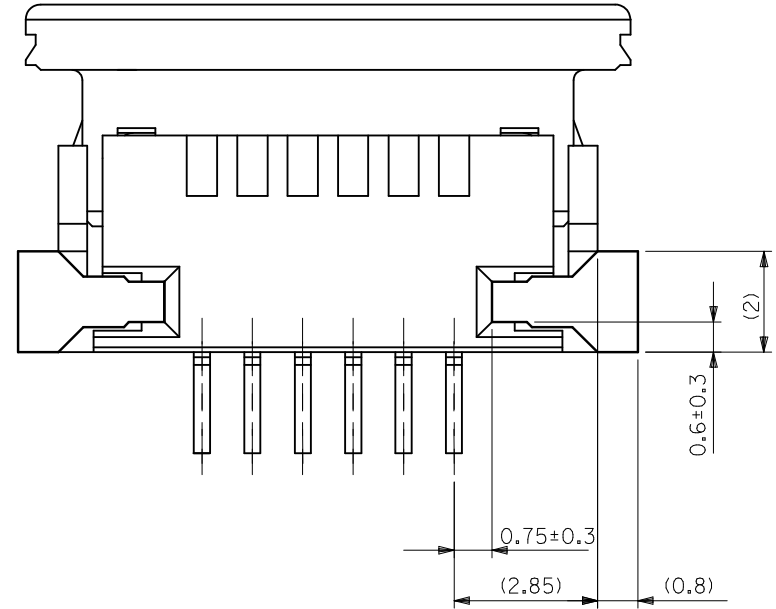
38.7	35.2	33	52207-3417	34
34.7	31.2	29	-3017	30
33.7	30.2	28	-2917	29
32.7	29.2	27	-2817	28
31.7	28.2	26	-2717	27
29.7	26.2	24	-2517	25
28.7	25.2	23	-2417	24
26.7	23.2	21	-2217	22
24.7	21.2	19	-2017	20
23.7	20.2	18	-1917	19
22.7	19.2	17	-1817	18
21.7	18.2	16	-1717	17
20.7	17.2	15	-1617	16
19.7	16.2	14	-1517	15
18.7	15.2	13	-1417	14
17.7	14.2	12	-1317	13
16.7	13.2	11	-1217	12
15.7	12.2	10	-1117	11
14.7	11.2	9	-1017	10
13.7	10.2	8	-0917	9
12.7	9.2	7	-0817	8
11.7	8.2	6	-0717	7
10.7	7.2	5	-0617	6
7.7	4.2	2	52207-0317	3
C	B	A	MATERIAL NO.	極数 CKT.

- 注記 NOTES
- 接点部までの嵌合長さ。 LENGTH TO CONTACT POINT.
 - 使用材料 MATERIAL
 ハウジング : 46ナイロン (耐熱性), UL94V-0
 HOUSING : 46NYLON, UL94V-0
 アクチュエータ : PPS, UL94V-0
 ACTUATOR : PPS, UL94V-0
 ターミナル : リン青銅, 半田メッキ (t=0.32)
 TERMINAL : PHOS-BRO., TIN-LEAD PLATED (t=0.32)
 金具 : 銅合金, 半田メッキ (t=0.25)
 FITTING NAIL : COPPER ALLOY, TIN-LEAD PLATED (t=0.25)
 - パターンはくり止め用金具
 FITTING NAIL FOR PREVENTION OF PEELING OF P.C.B.PATTERN.
 - エンボステープ梱包時は、アクチュエータがロックした状態とする。
 IN THE PACKAGE, ACTUATOR OF PART NO. 52207-**17 SHOULD BE LOCKED.
- ケーブル挿入深さ INSERTION DEPTH OF CABLE.
 パターン書き込み禁止エリア。 NO FOOT PRINT AREA.

REVISED EC NO: J2014-0628 2013/10/09 DRWN: NINOUE01 2013/10/09 CHKD: HIJIMA APPR: YNOGAWA 2013/10/18	GENERAL TOLERANCES (UNLESS SPECIFIED)		DIMENSION STYLE MM ONLY		SCALE ---	DESIGN UNITS METRIC		THIRD ANGLE PROJECTION	
	10 UNDER ±0.2	10 OVER 30 UNDER ±0.25	30 OVER ±0.3	DRAWN BY MTAKAHASHI04	DATE 2013/07/24	TITLE 1.0 FPC CONN. ZIF SMT (SHEET 1 OF 2)			
	ANGULAR ±3 °			CHECKED BY KTAKAHASHI	DATE 2013/07/24	molex			
	DRAFT WHERE APPLICABLE MUST REMAIN WITHIN DIMENSIONS			APPROVED BY YNOGAWA	DATE 2013/10/07				
THIS DRAWING CONTAINS INFORMATION THAT IS PROPRIETARY TO MOLEX INCORPORATED AND SHOULD NOT BE USED WITHOUT WRITTEN PERMISSION									

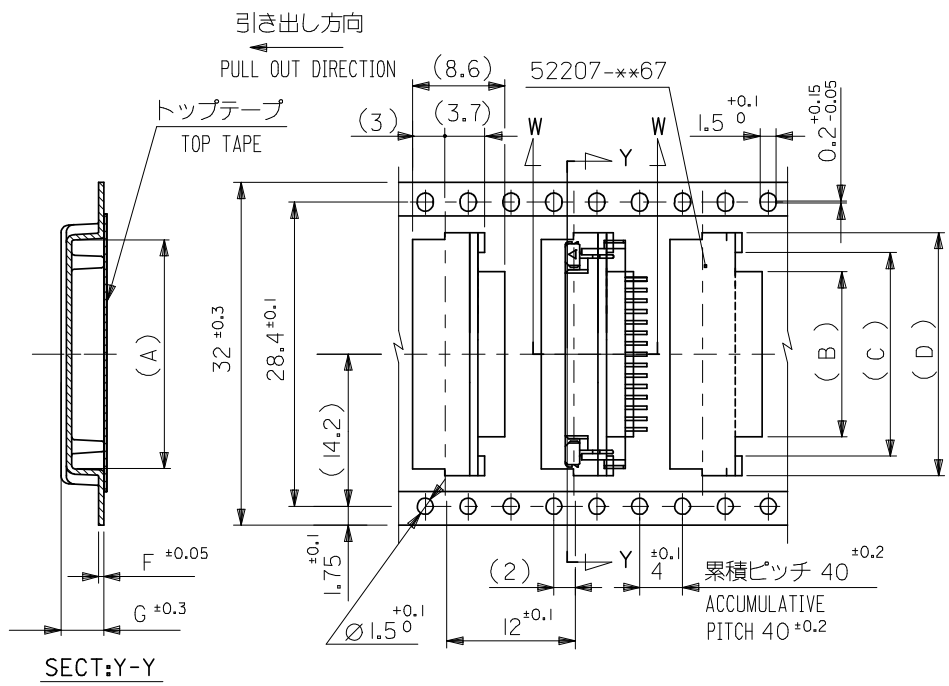


断面D-D
SECT.D-D



下面図
BOTTOM VIEW

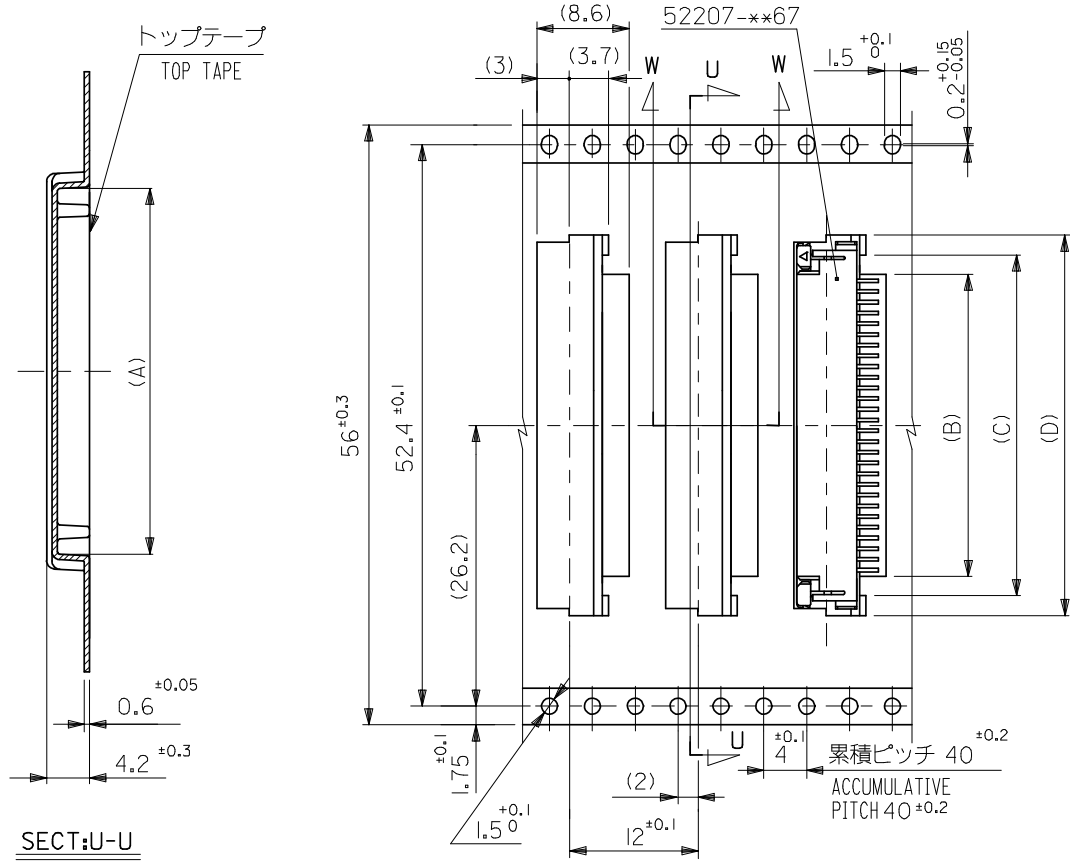
REVISED EC NO: J2014-0628 2013/10/09 DRWN: INOUE01 CHKD: HIJIMA APPR: YNOGAWA 2013/10/18	DESCRIPTION A	GENERAL TOLERANCES (UNLESS SPECIFIED)		DIMENSION STYLE MM ONLY		SCALE ---	DESIGN UNITS METRIC	THIRD ANGLE PROJECTION		
		10 UNDER	±0.2	DRAWN BY MTAKAHASHI04	DATE 2013/07/24	TITLE 1.0 FPC CONN ZIF SMT SHEET 2 OF 2				
		10 OVER 30 UNDER	±0.25	CHECKED BY KTAKAHASHI	DATE 2013/07/24					
		30 OVER	±0.3	APPROVED BY YNOGAWA	DATE 2013/10/07					
ANGULAR ±3 °		DRAFT WHERE APPLICABLE MUST REMAIN WITHIN DIMENSIONS		MATERIAL NO. SEE SHEET 1 OF 2		DOCUMENT NO. SD-52207-071		SHEET NO. 2 OF 2		
SIZE A3		THIS DRAWING CONTAINS INFORMATION THAT IS PROPRIETARY TO MOLEX INCORPORATED AND SHOULD NOT BE USED WITHOUT WRITTEN PERMISSION								



32mm 幅 キャリアテープ
32mm WIDTH CARRIER TAPE

32	37.4	33.4	4.0	0.5	23.5	20	16.7	22.35	52207-1651	16
			4.2	0.6	22.5	19	15.7	21.35	52207-1551	15
			4.2	0.6	21.5	18	14.7	20.35	52207-1451	14
			4.2	0.6	20.5	17	13.7	19.35	52207-1351	13
			4.2	0.6	19.5	16	12.7	18.35	52207-1251	12
キャリアテープ幅 CARRIER TAPE WIDTH	H	E	(G)	(F)	(D)	(C)	(B)	(A)	MATERIAL NO. MODEL NO. 52207-**51	極数 CKT.

REVISED EC NO: J2008-4127 DRWN: ASUZUKI01 2008/06/04 CHK: HMATSUMOTO 2008/06/04 APPR: NUKITA 2008/06/06	DESCRIPTION	GENERAL TOLERANCES (UNLESS SPECIFIED)	DIMENSION STYLE MM ONLY	SCALE ---	DESIGN UNITS METRIC	THIRD ANGLE PROJECTION	
	REV	10 UNDER ±---	DRAWN BY DATE M. NABEI '08/05/29	TITLE	EMBOSSSED TAPE PKG. FOR 52207-**67 HIGH BARRIER PKG.		
		10 OVER 30 UNDER ±---	CHECKED BY DATE H. MATSUMOTO '08/05/29	APPROVED BY DATE N. UKITA '08/05/29	MOLEX INCORPORATED		
		30 OVER ±---	ANGULAR ±--- °	MATERIAL NO.	DOCUMENT NO.	SHEET NO.	
	A	DRAFT WHERE APPLICABLE MUST REMAIN WITHIN DIMENSIONS	SEE TABLE	SD-52207-067	3 OF 5		



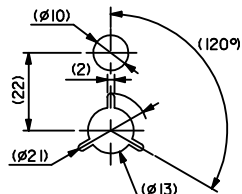
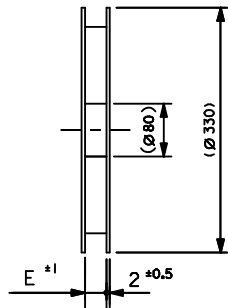
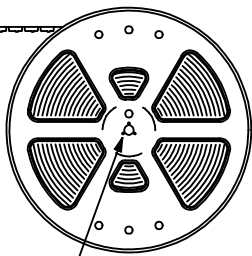
SECT:U-U

56mm 幅 キャリアテープ
56mm WIDTH CARRIER TAPE

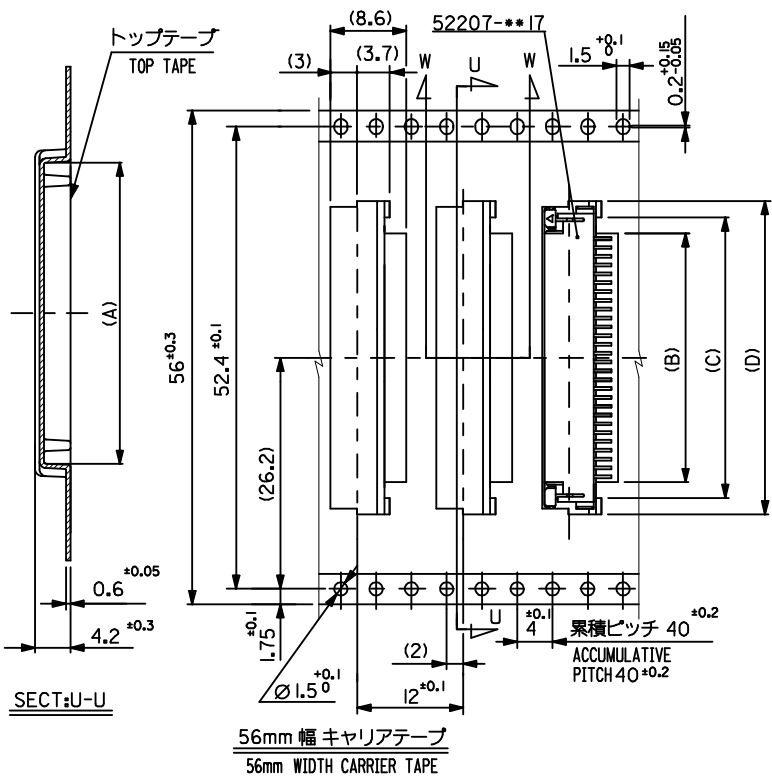
56	61.4	57.4	37.5	34	30.7	36.35	52207-3051	30
キャリアテープ幅 CARRIER TAPE WIDTH	F	E	(D)	(C)	(B)	(A)	MATERIAL NO.	CIRCUIT
			35.5	32	28.7	34.35	52207-2851	28

REVISED EC NO: J2008-4127 DRWN: ASUZUKI01 2008/06/04 CHK: HMATSUMOTO 2008/06/04 APPR: NUKITA 2008/06/06 REV A	GENERAL TOLERANCES (UNLESS SPECIFIED)		DIMENSION STYLE MM ONLY		SCALE ---		DESIGN UNITS METRIC		52207-**51 MODEL NO.	
	10 UNDER	± ---	DRAWN BY	DATE	TITLE					
	10 OVER 30 UNDER	± ---	M. NABEI	'08/05/29	EMBOSSED TAPE PKG. FOR 52207-**67 HIGH BARRIER PKG.					
	30 OVER	± ---	CHECKED BY	DATE	MOLEX INCORPORATED					
	ANGULAR	± --- °	H. MATSUMOTO	'08/05/29	MATERIAL NO.		DOCUMENT NO.		SHEET NO.	
DRAFT WHERE APPLICABLE MUST REMAIN WITHIN DIMENSIONS			SEE TABLE		SD-52207-067		5 OF 5			
THIS DRAWING CONTAINS INFORMATION THAT IS PROPRIETARY TO MOLEX INCORPORATED AND SHOULD NOT BE USED WITHOUT WRITTEN PERMISSION										

引き出し方向
PULL OUT DIRECTION



DETAIL "F"

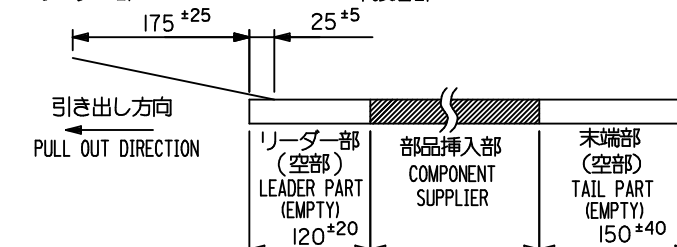


注記

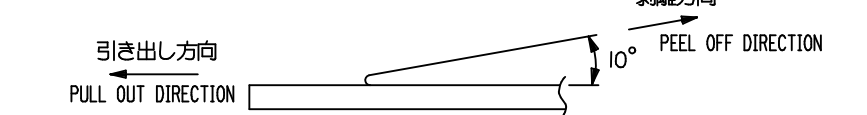
1. 製品番号 52207-***17 の梱包状態はアクチュエータがロックした状態とする。
詳細寸法については図面 SD-52207-071 を参照下さい。
IN THE PACKAGE, ACTUATOR OF PART NO. 52207-***17 SHOULD BE LOCKED
RE DETAILED DIMENSIONS, SEE SD-52207-071

2. 梱包数量：1000個/リール
NUMBER OF CONNECTORS : 1000PCS/REEL

3. リードテープ長さ(LEAD TAPE LENGTH)



4. トップテープの剥離強度：(剥離方向は下図参照)
60gf MAX. 尚、本規格値は、出荷時に適用。(但し、輸送時に剥離が発生しない事。)
PEELING OFF FORCE OF TOP TAPE : 60gf MAX. (PEELING DIRECTION AS SHOWN IN FOLLOWING FIG.)
THIS REQUIREMENT SHOULD BE APPLIED AT SHIPMENT. (PEEL OFF SHOULD NOT BE ALLOWED, DURING TRANSPORTATION.)



5. 材料 (MATERIAL)
キャリアテープ (CARRIER TAPE) : ポリプロピレン (POLYPROPYLENE)
トップテープ (TOPTAPE) : PET, PE, PEF
リール (REEL) : ポリスチレン (PS) <リサイクル材を含む>
POLYSTYREN (PS) <RECYCLE MATERIAL CONTAINED>

56	57.5	41.5	38	34.7	40.35	52207-3490	34	
		37.5	34	30.7	36.35	52207-3090	30	
		36.5	33	29.7	35.35	52207-2990	29	
		35.5	32	28.7	34.35	52207-2890	28	
キャリアテープ幅 CARRIER TAPE WIDTH		E	(D)	(C)	(B)	(A)	ENG. NO.	極致 CKT.

REVISED EC NO: J2014-0628 2013/10/09 DRWN: INOUE01 CHKD: H I JIMA 2013/10/09 APPR: YNOGAWA 2013/10/18	DESCRIPTION REV	GENERAL TOLERANCES (UNLESS SPECIFIED)		DIMENSION STYLE MM ONLY		SCALE ---	DESIGN UNITS METRIC	THIRD ANGLE PROJECTION	
		10 UNDER	± ---	DRAWN BY MTAKAHASHI	DATE 04 2013/07/24	TITLE EMBOSSED TAPE PACKAGE FOR 52207-***17 SHEET 3 OF 3			
		10 OVER 30 UNDER	± ---	CHECKED BY KTAKAHASHI	DATE 2013/07/24				
		30 OVER	± ---	APPROVED BY YNOGAWA	DATE 2013/10/07				
ANGULAR ± --- °		DRAFT WHERE APPLICABLE MUST REMAIN WITHIN DIMENSIONS		MATERIAL NO. SEE CHART		DOCUMENT NO. SD-52207-072		SHEET NO. 3 OF 3	
A		SIZE A3		THIS DRAWING CONTAINS INFORMATION THAT IS PROPRIETARY TO MOLEX INCORPORATED AND SHOULD NOT BE USED WITHOUT WRITTEN PERMISSION					