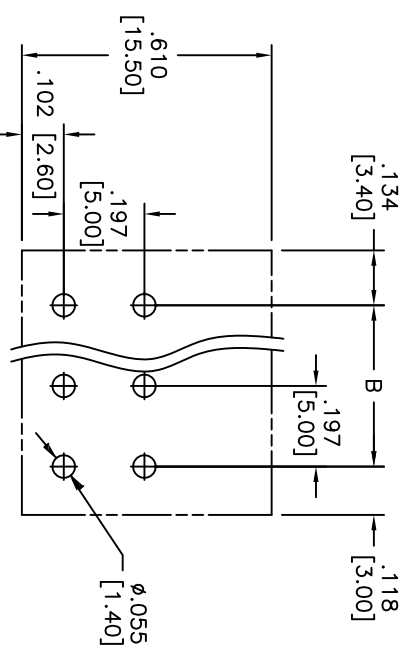
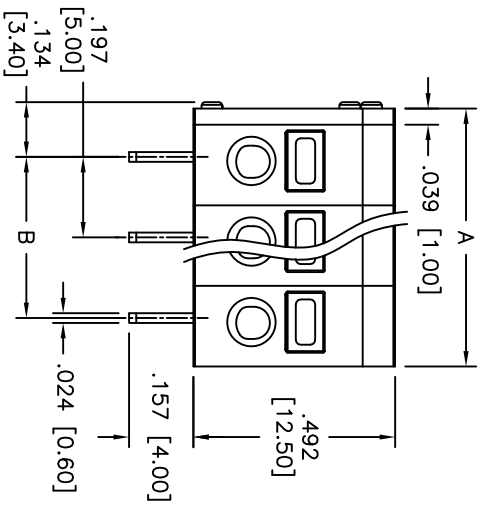
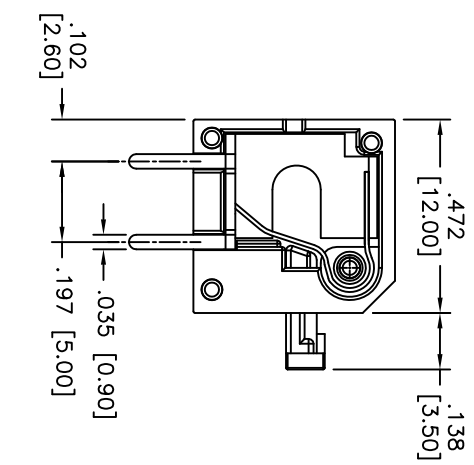
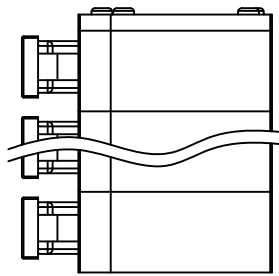


Rev	AWO #	Description	Date	Appr
-		RELEASED	11/26/10	

APPROVED: _____
 DATE: _____ TITLE: _____



RECOMMENDED PCB LAYOUT

Positions: 1 thru 24
 A = .197 [5.00] X No. of Positions per row + .039 [1.00]
 B = .197 [5.00] X No. of Spaces

SPECIFICATIONS:

- Material: Insulator: Thermoplastic, rated UL 94V-0
- Insulator color: Gray
- Contact: Brass, Tin plated
- Spring clamp: Stainless steel
- Electrical: Operation voltage: 300 VAC
- Current rating: 6 Amps
- Withstanding voltage: 1600 VAC for 1 minute
- Mechanical: Wire Range: 16-26 Awg
- Environmental: Operating temperature: -40°C to +115°C
- Lead free, RoHS compliant.
- Recommended soldering temp: 235°C for 5 sec.



UNLESS OTHERWISE SPECIFIED ALL DIMENSIONS ARE MM [INCHES] TOLERANCES: EXCEPT AS NOTED		TITLE	
INCHES	HOLES	ADAM TECH	
.X ± .10	Ø.X ± .015	909 Rahway Avenue, Union, NJ 07083	
.XX ± .020	Ø.XXX ± .010	Phone: 908-687-5000 Fax: 908-687-5710	
.XXX ± .015	Ø.XXX ± .010	TERMINAL BLOCK, .197 [5.00] PITCH, PCB	
APPROVALS	DATE	PART NO. EB46-XX-C-180	
DRAWN	DY	11/26/10	
CHECKED		SIZE X	
APPROVED		REF: S0007T	