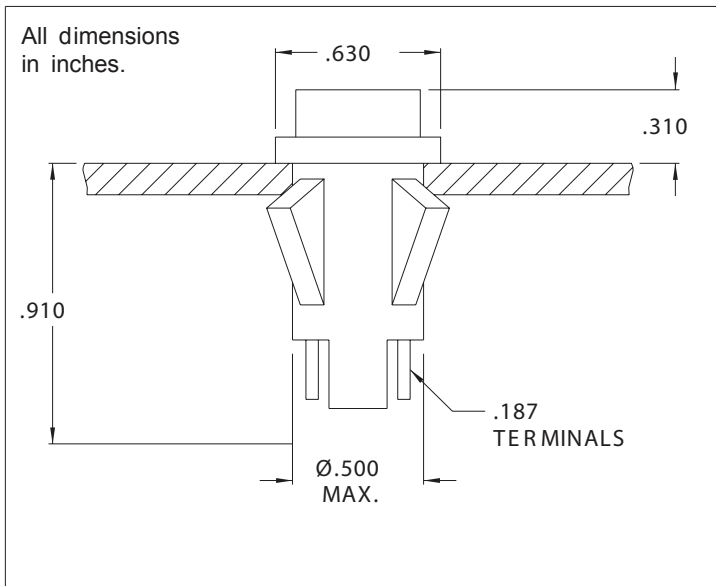


1050QC, 1051QC, 1052QC, 1053QC and 1090QC Series Non-Relampable Neon-Incandescent Indicator Lights

Description and Features



Mounting: Will snap-fit into Ø.500/.505 hole in panels .020/.100 thick. Push-on speednut SN0461 also available. Mounting hole pattern on page SP2.

Terminals: Tinned brass

Lens: Polycarbonate

Bezel: Polished stainless steel. For black finish add "X" after the series letter(s).

Housing: White Nylon

| Lens Color | Neon | | Incandescent | |
|------------|---------------------------|-------------------------|--------------------|--------------------|
| | Model No. (105-125VAC) | Model No. (208-250V) | Model No. (12V) | Model No. (28V) |
| Red | 1050QC 1 | 1051QC 1 | 1090QC 1-12V | 1090QC 1-28V |
| Clear | 1050QC 2 | - | - | - |
| Amber | 1050QC 3 | 1051QC 3 | 1090QC 3-12V | 1090QC 3-28V |
| White | 1050QC 4 | 1051QC 4 | 1090QC 4-12V | 1090QC 4-28V |
| Green | 1052QC 5* | 1053QC 5* | 1090QC 5-12V | 1090QC 5-28V |
| Lamp used | C 2A+R esistor | C 2A+R esistor | #2162 | #2187 |

* Incorporates G2B lamp and resistor.

Underwriters Laboratories (UL) File No. E20325

Canadian Standards Association (CSA) File No. LR13346