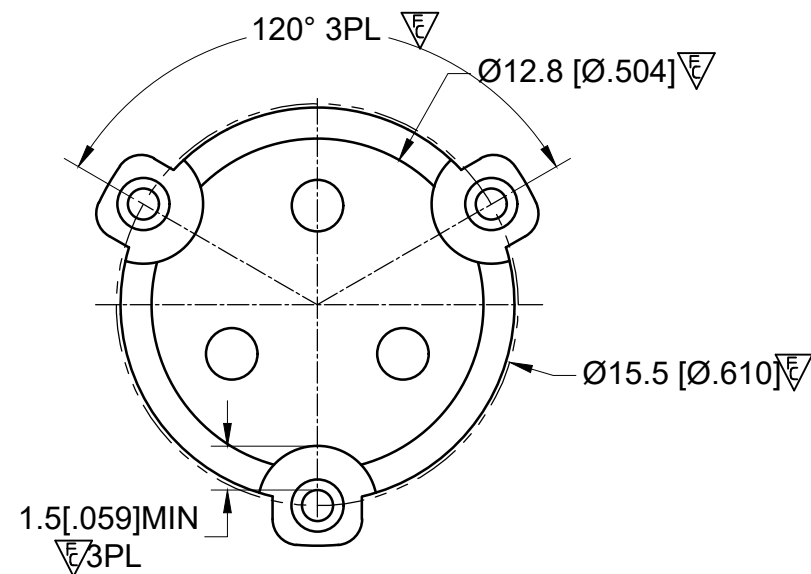
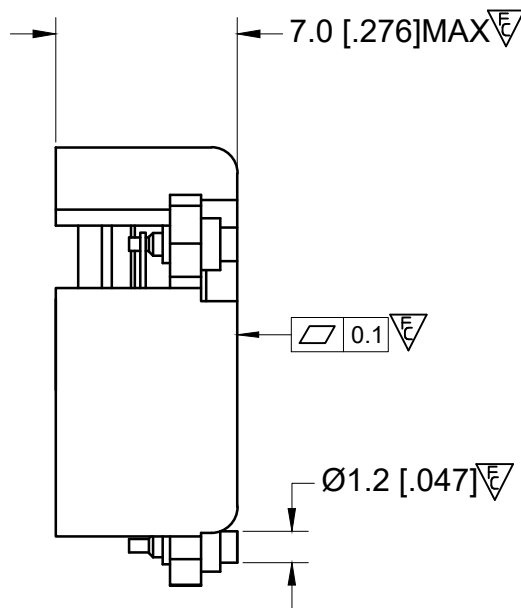
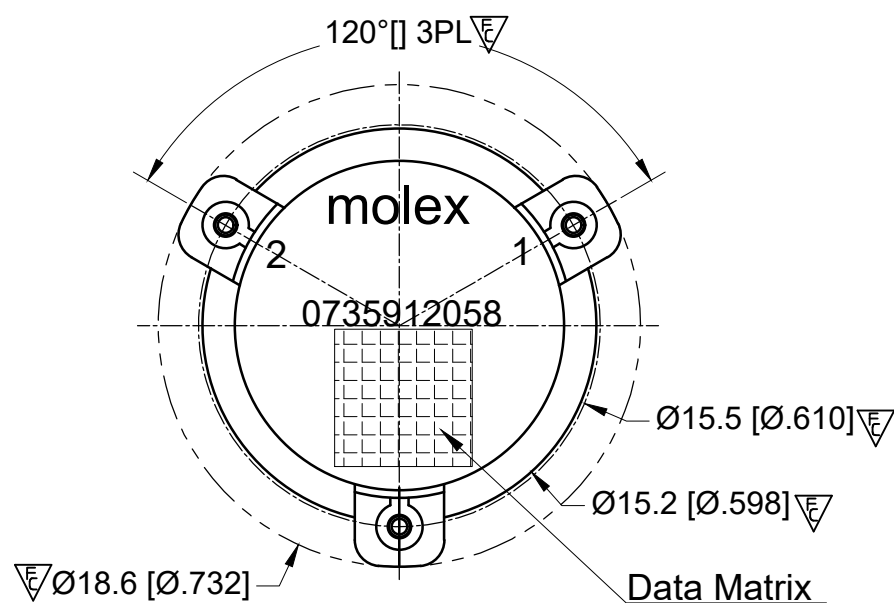
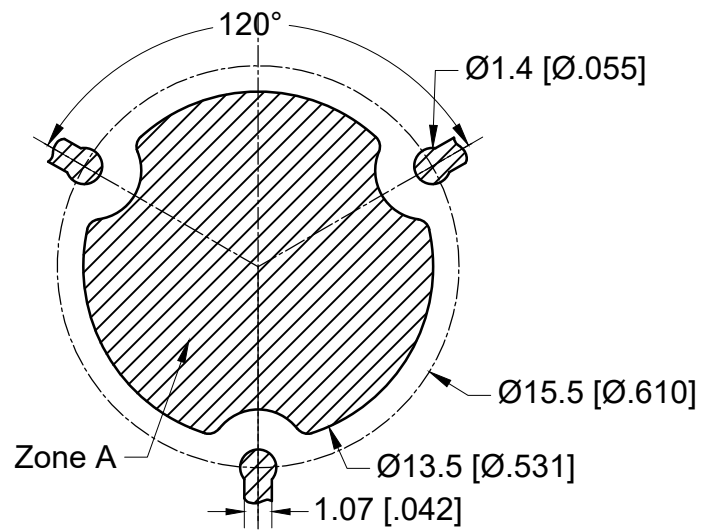
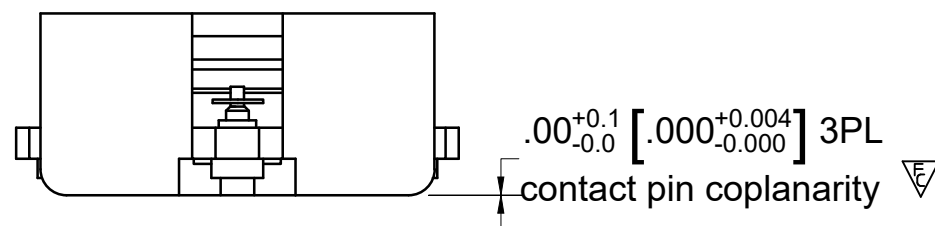


**RECOMMENDED LAND PATTERN :**

Zone A must be attached to heat sink. Thermal conductivity of intermediate layers between Zone A and heat sink must be better than 0.1 W / [°C x mm].



PCB Material :Rogers RO4350B,0.508mm thickness  
trace width 1.07mm wide.



**ELECTRICAL SPECIFICATIONS :**

Frequency Range : 2300~2400MHz

Isolation : 20 dB min

Return Loss : 23 dB min

Insertion Loss : 0.25 dB max

Attenuation (2 x TX) : 20 dB min

(3 x TX) : 7 dB min

(N x TX) : 5 dB min

Input Power(within freq.range) :100 W max

Input Power peak(within freq.range) :1000 W max

Reflected Power :100W max

IM3(50W x 2 tones 5M spacing) : -65 dBc max

Harmonics (2 x TX @ 100W CW) : 60 dBc min

(3 x TX @ 100W CW) : 60 dBc min

Operating temperature range : -40 to +115°C

Storage temperature range : -40 to +125°C

Direction : CCW

**MATERIAL :**

BODY : STEEL, SILVER PLATED

PIN : COPPER , SILVER PLATED

**NOTES :**

1.STANDARD INPUT/OUTPUT IMPEDANCE 50 Ohm

2.LEAD FREE, NO Nd MATERIAL, BeO FREE

3.THE DIMENSION OF DATA MATRIX IS 5.3X5.3MM INFORMATION INCLUDING WORK ORDER NUMBER-SERIAL NUMBER-MATERIAL NUMBER

4.THIS PART COMPLIES WITH ALL RoHS REQUIREMENTS

**ENG PART#: 812-230-240-WP040**

FUNCTIONAL SYMBOLS FA=0 FE=0 FP=0	THIS DRAWING CONTAINS INFORMATION THAT IS PROPRIETARY TO MOLEX ELECTRONIC TECHNOLOGIES, LLC AND SHOULD NOT BE USED WITHOUT WRITTEN PERMISSION													
	DIMENSION UNITS <b>MM</b>		SCALE <b>1:1</b>		CURRENT REV DESC: RELEASE TO PROD				<b>molex</b>		SMSJ CIRCULATOR/2300~2400MHZ/CCW			
	GENERAL TOLERANCES (UNLESS SPECIFIED)													
	4 PLACES ±0.25 ±----		mm		INCH		EC NO: 696580		2022/02/21		RESTRICTED PRODUCT CUSTOMER DRAWING			
3 PLACES ±0.05 ±----						DRWN: SREN05		2022/02/23						
2 PLACES ±0.13 ±----						CHK'D: JLI252		2022/03/01						
1 PLACE ±0.25 ±----						APPR: HWANG186		2022/03/01						
0 PLACES ±0.4 ±----						INITIAL REVISION:				DOCUMENT NUMBER	DOC TYPE	DOC PART	REVISION	
ANGULAR TOL ± 1.5 °						DRWN: SREN05		2021/11/12		<b>735912058</b>		<b>PSD 000</b>	<b>A</b>	
DRAFT WHERE APPLICABLE MUST REMAIN WITHIN DIMENSIONS						APPR: HWANG186		2022/03/01		MATERIAL NUMBER		CUSTOMER	SHEET NUMBER	
						THIRD ANGLE PROJECTION		DRAWING		SERIES		0735912058	CUSTOM PART	1 OF 1
						A3-SIZE		73591						