



Intel® Cyclone® 10 GX FPGA Development Kit User Guide

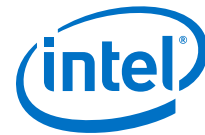


Contents

- 1. Overview..... 4**
 - 1.1. General Development Kit Description.....4
 - 1.2. Recommended Operating Conditions..... 6
 - 1.3. Handling the Board..... 6
- 2. Getting Started..... 7**
 - 2.1. Installing the Quartus Prime Software..... 7
 - 2.2. Development Kit Package..... 8
 - 2.3. Installing the Intel FPGA Download Cable Driver..... 8
- 3. Development Kit Setup..... 10**
 - 3.1. Setting up the Development Kit..... 10
 - 3.2. Default Switch and Jumper Settings..... 10
- 4. Development Kit Components..... 12**
 - 4.1. Board Overview..... 12
 - 4.2. Cyclone 10 GX FPGA..... 15
 - 4.3. MAX 10 System Controller.....19
 - 4.4. FPGA Configuration..... 21
 - 4.5. Status and User I/O Elements.....23
 - 4.5.1. Switches..... 23
 - 4.5.2. Pushbuttons..... 24
 - 4.5.3. LEDs..... 25
 - 4.6. Clocks..... 26
 - 4.7. Memory..... 27
 - 4.7.1. EMIF with DDR3..... 27
 - 4.7.2. QSPI Flash..... 27
 - 4.8. Power..... 27
 - 4.9. Transceivers Interfaces and Communication Ports..... 29
 - 4.9.1. Transceiver Channels 29
 - 4.9.2. PCIe Interface..... 29
 - 4.9.3. SFP+ Interface..... 29
 - 4.9.4. USB3.1 Type-C Interface..... 30
 - 4.9.5. FPGA Mezzanine Card (FMC) Interface..... 32
 - 4.9.6. 10/100/1000Base-T Ethernet Connector.....37
 - 4.9.7. I²C/PMBUS.....38
- 5. Board Test System..... 40**
 - 5.1. Preparing the Board..... 41
 - 5.2. Running the Board Test System..... 42
 - 5.3. Using the Board Test System..... 42
 - 5.3.1. The Configure Menu..... 42
 - 5.3.2. The System Info Tab..... 43
 - 5.3.3. The GPIO Tab..... 45
 - 5.3.4. The EPCQ Tab.....46
 - 5.3.5. The XCVR Tab.....47
 - 5.3.6. The FMC Tab..... 50
 - 5.3.7. The DDR3 Tab..... 53



5.3.8. Power Monitor.....	55
5.3.9. Clock Controller.....	57
A. Additional Information.....	60
A.1. Safety and Regulatory Information.....	60
A.1.1. Safety Warnings.....	61
A.1.2. Safety Cautions.....	62
A.2. Compliance and Conformity Statements.....	64
B. Revision History.....	65
B.1. Document Revision History for Intel Cyclone 10 GX FPGA Development Kit User Guide..	65



1. Overview

The Intel® Cyclone® 10 GX FPGA Development Kit is a complete design environment that includes both hardware and software you need to develop and evaluate the performance and features of the Intel Cyclone 10 GX FPGA device.

1.1. General Development Kit Description

This development kit includes a Intel Cyclone 10 GX FPGA device along with the following components.

Intel Cyclone 10 GX FPGA

- Intel Cyclone 10 GX FPGA device in F780 BGA package
- 780 pin, 29 mm x 29 mm BGA package
- 220K Logic Elements (LEs)
- 12 transceivers capable of 12.5 Gbps data rates
- 284 GPIOs with 118 pairs of LVDS

FPGA Configuration

- Active Serial (ASx4) mode configuration with EPCQ-L
- Fast Passive Parallel (FPP) mode configuration mode by Intel MAX® 10 PFL
- Configuration via PCIe* (CvP) x4 Gen2

Clock Sources

- 50 MHz oscillator, LVCMOS for USB Blaster and Power Intel MAX 10 logic
- 50 MHz oscillator, LVCMOS for PFL control Intel MAX 10 logic
- 24 MHz crystal for USB-Blaster II PHY
- 50 MHz oscillator, LVCMOS for Intel Cyclone 10 GX FPGA core
- 100 MHz oscillator, LVCMOS for Intel Cyclone 10 GX FPGA user_clk
- A programmable oscillator, LVDS for transceivers: 644.53125 MHz by default, LVDS to FPGA transceiver
- Programmable clock generator for FPGA logic
 - 21.186 MHz LVDS for EMIF, LVDS to FPGA core
 - 125 MHz LVDS for transceiver of USB3.1, LVDS to FPGA transceiver
 - 125 MHz for Gigabit Ethernet, LVDS to FPGA core
 - 100 MHz for FPGA logic, LVCMOS to FPGA core
- 100 MHz for PCIe system to FPGA transceiver

Intel Corporation. All rights reserved. Intel, the Intel logo, Altera, Arria, Cyclone, Enpirion, MAX, Nios, Quartus and Stratix words and logos are trademarks of Intel Corporation or its subsidiaries in the U.S. and/or other countries. Intel warrants performance of its FPGA and semiconductor products to current specifications in accordance with Intel's standard warranty, but reserves the right to make changes to any products and services at any time without notice. Intel assumes no responsibility or liability arising out of the application or use of any information, product, or service described herein except as expressly agreed to in writing by Intel. Intel customers are advised to obtain the latest version of device specifications before relying on any published information and before placing orders for products or services.

*Other names and brands may be claimed as the property of others.



- User-defined reference clock input from FMC card
 - 1 for FMC transceiver to FPGA transceiver
 - 2 for FMC LA reference to FPGA core
 - 2 for FMC clock reference to FPGA core
- One external differential input through SMA, AC coupled
- One single-ended LVCMOS clock output through SMA, DC coupled

Transceiver Interfaces

- 12 transceivers organized in two banks
- 4 channels for PCIe x4 Gen2
- 2 channels for 2 SFP+ supporting 10 GE
- 1 channel for USB3.1 SuperSpeed
- 5 channels for FMC card

Memory Interfaces

- 1 channel of x40 DDR3 @ 933 MHz

Communication Ports

- 10/100/1000Base-T Ethernet port with SGMII (LVDS)
- USB3.1 Type-C supporting SuperSpeed, backward compatible with USB2.0
- 2 SFP+ supporting 10GE
- FMC expansion card:
 - 12G SDI: Semtech RDK-12GSRD-ALTRA00 Evaluation Board
 - 8G DisplayPort: Bitec FMC DisplayPort Daughter Card
 - 6G HDMI 2.0: Bitec FMC HDMI Daughter Card

Pushbuttons

- 3 User Push Buttons
- 1 User Program selecting Pushbutton
- 1 nCONFIG Pushbutton to initiate configuration
- 1 FPGA reset Pushbutton to reset the FPGA logic

Switches

- 4 User DIP Switches
- DIP switch for MSEL
- DIP switch for JTAG chain selection
- DIP switch for clock source selection



LEDs

- 4 User LEDs
- 1 Power LED
- 1 Config Done LED
- PFL Load/Error LED
- PFL Program Number LED
- Ethernet LEDs
- SFP+ LEDs

Heatsink and Fan

Heatsink with fan

Power

- 12 V power input from ATX 2 x 4 power connector
- 12 V external power adaptor input
- 12 V power input from PCIe system
- On/Off Slide Power Switch
- On-board power measurement and management
- Adjustable FMC+ power regulator
- Power Failure Monitor
- Power-off discharge circuit

Dimensions

Full height PCIe add-in card 4.376" (Height) x 7" (Length)

Operating Environment

Ambient Temperature: 0° C to 45° C

1.2. Recommended Operating Conditions

- Recommended ambient operating temperature range: 0° C to 45° C
- Maximum ICC load current: 6 Amp
- Maximum ICC load transient percentage: 30%
- Maximum board power consumption: 75 Watts

1.3. Handling the Board

When handling the board, it is important to observe static discharge precautions.

Note: Without proper anti-static handling, the board could be damaged. Use anti-static handling precautions when handling the board.

Note: This development kit should not be operated in a Vibration environment.



2. Getting Started

2.1. Installing the Quartus Prime Software

The Intel Quartus® Prime design software is a multiplatform design environment that easily adapts to your specific needs in all phases of FPGA, CPLD, and SoC designs. The Intel Quartus Prime software delivers the highest performance and productivity for Intel FPGAs, CPLDs, and SoCs.

Design software must enable dramatically increased design productivity in order to take advantage of devices with multi-million logic elements with increased capabilities that provide designers with an ideal platform to meet next-generation design opportunities.

The new Intel Quartus Prime Design Suite design software includes everything needed to design for Intel FPGAs, SoCs and CPLDs from design entry and synthesis to optimization, verification and simulation. The Intel Quartus Prime Design Suite software includes an additional Spectra-Q® engine that is optimized for Intel Stratix® 10 and future devices. The Spectra-Q engine enables new levels of design productivity for next generation programmable devices with a set of faster and more scalable algorithms, a hierarchical database infrastructure and a unified compiler technology.

Intel Quartus Prime Software

The Intel Quartus Prime Design Suite software is available in three editions based on specific design requirements: Pro, Standard, and Lite Edition.

The Intel Quartus Prime Pro Edition is optimized to support the advanced features in Intel's next generation FPGAs and SoCs.

The Intel Cyclone 10 GX FPGA is only supported on Intel Quartus Prime Pro Edition. There is no paid license fee required for Intel Cyclone 10 GX support in Intel Quartus Prime Pro Edition.

Included in the Intel Quartus Prime Pro Edition are the Intel Quartus Prime software, Nios® II EDS and the MegaCore IP Library.

To install Intel's development tools, download the Intel Quartus Prime Pro Edition software from the Quartus Prime Pro Edition page from the [Download Center](#) of Intel's website.

Related Information

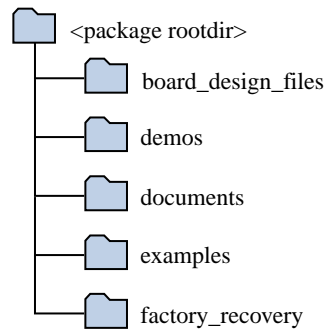
[Intel FPGA Download Center](#)

2.2. Development Kit Package

To download the Intel Cyclone 10 GX FPGA Development Kit package, perform the following steps:

1. Download the development kit package from the Intel Cyclone 10 GX FPGA Development Kit link on the Intel website.
2. Unzip the Intel Cyclone 10 GX FPGA Development Kit package contents to your machine's local hard drive.
3. The package creates the directory structure shown in the figure below.

Figure 1. Development Kit Directory Structure



The table below lists the file directory names and a description of their contents

Table 1. Directory Structure

File Directory Name	Description of Directory Contents
board_design_files	Contains schematics, layout, assembly and bill of material board design files. Use these files as a starting point for a new prototype board design
demos	Contains demonstration applications when available
documents	Contains the development kit documentation
examples	Contains the sample design files for the development kit
factory_recovery	Contains the original data programmed onto the board before shipment. Use this data to restore the board with its original factory contents.

Related Information

[Intel Cyclone 10 GX FPGA Development Kit](#)

2.3. Installing the Intel FPGA Download Cable Driver

The Intel Cyclone 10 GX FPGA Development Kit includes embedded Intel FPGA Download Cable circuits for FPGA programming. However, for the host computer and board to communicate, you must install the Intel FPGA Download Cable driver on the host computer.

Installation instructions for the Intel FPGA Download Cable driver for your operating system are available on the Intel website.



On the Intel website, navigate to the [Cable and Adapter Drivers Information](#) link to locate the table entry for your configuration and click the link to access the instructions.



3. Development Kit Setup

The instructions in this chapter describe how to setup and configure the development kit

3.1. Setting up the Development Kit

To prepare and apply power to the board, perform the following steps:

The Intel Cyclone 10 GX FPGA Development Kit has two modes of operation:

- **Standard PCIe-compliant system:**

In this mode, plug the board into an available PCIe slot and connect the standard 2x4 PCIe auxiliary power available from the PC's ATX power supply to the mating connector on the board (J12), and remove any power supply connected to J13. The PCIe slot together with the PCIe power is required to power the entire board with power up to 75 Watt. If ATX power is not connected, ensure that your PCIe system can provide up to 75 Watt of power through the PCIe slot alone. The power switch S14 is ignored when the board is used in the PCIe.

- **Stand-alone evaluation board:**

In this mode, plug the included power supply into the power adapter connector (J13) and the AC power cord of the power supply into a power outlet. Remove any ATX power supply that is connected from the 2x4 power connector (J12). The power switch S14 will power ON/OFF the board.

3.2. Default Switch and Jumper Settings

This section lists the default factory switch settings for the Intel Cyclone 10 GX FPGA Development Kit

Table 2. DIP Switch Settings

Board Label	Switch	Default Position	Function
S1	S1.1	OPEN/OFF/1	Intel Cyclone 10 GX GX FPGA MSEL
	S1.2	OPEN/OFF/1	
S2	S2.1	CLOSE/ON/0	Select clock from Si570 for Si53307's output
	S2.2	OPEN/OFF/1	Enable the output of Si570
S3	S3.1	OPEN/OFF/1	Select internal oscillator as the PLL reference of Si5332
	S3.2	CLOSE/ON/0	
S5	S5.1	OPEN/OFF/1	Enable FMC card JTAG

continued...

Intel Corporation. All rights reserved. Intel, the Intel logo, Altera, Arria, Cyclone, Enpirion, MAX, Nios, Quartus and Stratix words and logos are trademarks of Intel Corporation or its subsidiaries in the U.S. and/or other countries. Intel warrants performance of its FPGA and semiconductor products to current specifications in accordance with Intel's standard warranty, but reserves the right to make changes to any products and services at any time without notice. Intel assumes no responsibility or liability arising out of the application or use of any information, product, or service described herein except as expressly agreed to in writing by Intel. Intel customers are advised to obtain the latest version of device specifications before relying on any published information and before placing orders for products or services.

*Other names and brands may be claimed as the property of others.

ISO
9001:2015
Registered



Board Label	Switch	Default Position	Function
	S5.2	OPEN/OFF/1	Enable Intel Cyclone 10 GX FPGA JTAG
S6	S6.1	OPEN/OFF/1	Reserved, no function defined
	S6.2	OPEN/OFF/1	Reserved, no function defined
S9	S9.1	OPEN/OFF/1	User available Digital Input 0
	S9.2	OPEN/OFF/1	User available Digital Input 1
S15	S15.1	OPEN/OFF/1	User available Digital Input 2
	S15.2	OPEN/OFF/1	User available Digital Input 3

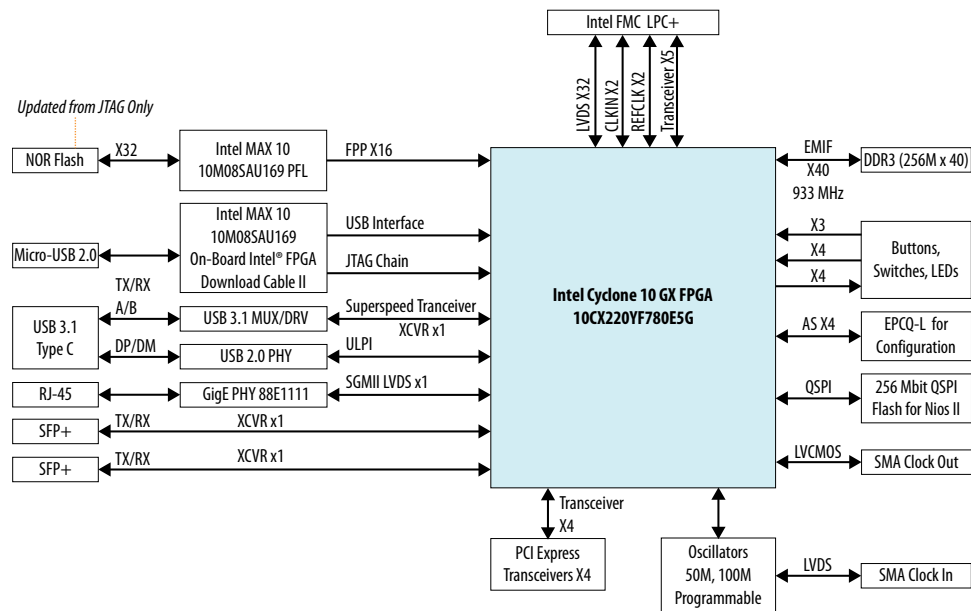


4. Development Kit Components

This chapter introduces all major components on the Intel Cyclone 10 GX FPGA Development Kit.

4.1. Board Overview

Figure 2. Intel Cyclone 10 GX FPGA Development Kit Block Diagram



There are four sub-systems in this development kit:

- Intel Cyclone 10 GX FPGA and its peripherals
- Configuration with Intel MAX 10 FPGA
- Timing
- Power Supply

Table 3. Board Components Table

Board Reference	Type	Description
Featured Devices		
U1	FPGA	Intel Cyclone 10 GX FPGA 10CX220YF780E5G, 220K Logic Elements, 12 Transceivers, F780 BGA package
<i>continued...</i>		

Intel Corporation. All rights reserved. Intel, the Intel logo, Altera, Arria, Cyclone, Enpirion, MAX, Nios, Quartus and Stratix words and logos are trademarks of Intel Corporation or its subsidiaries in the U.S. and/or other countries. Intel warrants performance of its FPGA and semiconductor products to current specifications in accordance with Intel's standard warranty, but reserves the right to make changes to any products and services at any time without notice. Intel assumes no responsibility or liability arising out of the application or use of any information, product, or service described herein except as expressly agreed to in writing by Intel. Intel customers are advised to obtain the latest version of device specifications before relying on any published information and before placing orders for products or services.

*Other names and brands may be claimed as the property of others.

4. Development Kit Components

UG-20105 | 2018.08.15



Board Reference	Type	Description
U2	FPGA	Intel MAX 10 10M08SAU169C8G for On-board Intel FPGA Download Cable II and Power Management
U3	FPGA	Intel MAX 10 10M08SAU169C8G for PFL configuration, clock generator control and power monitoring
U49	Voltage Regulator	Intel Enpirion® EM2130L-30A Step-Down DC-DC Switching Converter with Integrated Inductor, featuring Digital Control with PMBus™ v1.2 Compliant Interface, implements FPGA 0.9V Vcc
U50	Voltage Regulator	Intel Enpirion EM2130H - 30A Step-Down DC-DC Switching Converter with Integrated Inductor, Featuring Digital Control with PMBus v1.2 Compliant Interface, implements 3.3V intermediate power bus used by other lower voltage power rails
U51	Voltage Regulator	Intel Enpirion ER2120QI - 2A Synchronous Buck Regulator with Integrated MOSFETs, implements 5V USB VBUS of USB3.1 Type-C interface
U52	Voltage Regulator	Intel Enpirion ER3105DI - 500mA Wide VIN Synchronous Buck Regulator, implements local power supply used by U49 and U50.
U53, U54, U55, U60	Voltage Regulator	Intel Enpirion EN6337QI - 3A PowerSoC Voltage Mode Synchronous PWM Buck with Integrated Inductor, implements 1.03V, 1.5V, and 1.8V power rails to FPGA
U56	Voltage Regulator	Intel Enpirion EN6347QI - 4A PowerSoC Voltage Mode Synchronous PWM Buck with Integrated Inductor, implements voltage adjustable power rail to FPGA and FMC daughter card
U62	Voltage Regulator	Intel Enpirion ER3110DI - 1A Wide VIN Synchronous Buck Regulator, implements power supply used by U2 and U3.
Configuration and Setup Elements		
J9	Embedded Intel FPGA Download Cable II	Type-B Micro USB Connector for programming and debugging the FPGA
J11	10-pin header	Optional JTAG direct via 10-pin header for external download cables
S1	DIP-SW: ON/Closed/0 OFF/Open/1	Intel Cyclone 10 GX FPGA Configuration Mode
S7	FPGA PGM_SEL Push Button	Press this button to cycle through different PFL loads
S12	FPGA nCONFIG Push Button	Press this button to trigger reconfiguration
S13	FPGA Reset Push Button	Press this button to reset all registers in the FPGA
Status Elements		
D23	Power LED (Green)	Power Good LED (All power rails are OK) ON: Detected Power is Good OFF: Detected Power is Bad
D13	Configuration Error LED (Red)	Config error status Indicator ON: FPGA configuration failed OFF: FPGA configured without error
<i>continued...</i>		



Board Reference	Type	Description
D14	Load LED (Green)	Config is loading ON: FPGA configuration is going on OFF: FPGA configuration has finished
D15	Configuration LED (Green)	Config done status Indicator ON: FPGA configured successfully OFF: FPGA not configured
General User Input/Output		
S8, S10, S11	General user push buttons	Three user push buttons. Driven low when pressed.
D19, D20, D21, D22	User LEDs	Four user LEDs. Illuminates when driven low.
S9, S15	User DIP Switches	4-bit user DIP switches, low when set to ON
Clocks		
U11	50 MHz Oscillator	50 MHz crystal oscillator for logic of two Intel MAX 10 FPGA devices, 3.3V LVCMOS
Y4	50 MHz Oscillator	50 MHz crystal oscillator for general purpose logic of Intel Cyclone 10 GX FPGA, 1.8V LVCMOS
Y1	100 MHz Oscillator	100 MHz crystal oscillator for calibration and configuration of Intel Cyclone 10 GX FPGA, 1.8V LVCMOS
Y2	Programmable Oscillator	Programmable Oscillator for Intel Cyclone 10 GX FPGA Transceivers, LVDS
U7	Clock Buffer	2:1 buffer for reference clock
U64	Programmable clock generator	Eight channel Programmable clock generator. 4 outputs are implemented, default frequencies are 125 MHz, 21.186 MHz, 125 MHz and 100 MHz
Transceiver Interfaces		
U16	PCIe x4 Golden Finger	PCIe Gen2 x4 endpoint
J5, J6	SFP+	Support 10 GE SFP+ module
J7	FMC	5 Transceivers up to 12.5Gbps
J8	USB Type-C	Implements USB3.1 and USB2.0
U26	USB 2:1 MUX	TI HD3SS3220 USB Type-C DRP Port Controller with SuperSpeed 2:1 MUX
U65	USB Redriver	TI USB1002 USB3.1 10 Gbps Dual-Channel Linear Redriver
Memory		
U12, U13, U14	DDR3 memory	ISSI IS43TR16256A-107MBLI 256Mx16 4Gb DDR3 SDRAM
U4	EPCQ-L Flash	EPCQ-L 1024
U58	QSPI Flash	ISSI IS25WP256D-RHLE, 256Mbit
Power		
J12	PCIe ATX 2x4	Auxiliary power supply of PCIe system
J13	DC-input	4-pin DIN power adaptor
S14	Power Switch	Slide switch for power input



4.2. Cyclone 10 GX FPGA

The target FPGA device this kit is designed to work with is the Intel Cyclone 10 GX 10CX220YF780E5G FPGA. It is the device with the fastest speed, largest resource and biggest package in the Intel Cyclone 10 GX FPGA series.

Table 4. Maximum Resource Availability

Feature	Count
FPGA Device	10CX220YF780E5G
Logic Elements (LE)	220K
ALM	80,330
Registers	321,320
Memory - M20K	11,740 Kb
Memory - MLAB	1,690
Variable precision DSP block	192
18 x 19 Multiplier	384
Hard Floating-point Arithmetic	Yes
PLL (Fractional Synthesis)	4
PLL (I/O)	6
12.5 Gbps Transceiver	12
GPIO	284
LVDS Pair	118
PCIe Hard IP Block	1
Hard Memory Interfaces	2
Package	F780 (29 mm x 29 mm)

The table below presents a summary of the Intel Cyclone 10 GX FPGA I/O resource allocation. I/O Direction is with respect to the FPGA.

Table 5. Cyclone 10 GX FPGA I/O Resources Table

Bank Number	Function	I/O Type	I/O Count	Description
Transceiver Clocks				
1C	USB_REFCLK		2	125 MHz (adjustable) , AC
1C	FMC_GBTCLK_M2C	LVDS input	2	User-defined from FMC, AC
1D	SFP_REFCLK	LVDS input	2	644.53125 MHz (adjustable), AC
1D	PCIe_REFCLK	LVDS input	2	100 MHz from PCIe, DC
Transceiver Channels				
1C/1D	PCIe_TX [0:3]	CML output	8(4p)	PCIe Gen2 Transmit
<i>continued...</i>				



Bank Number	Function	I/O Type	I/O Count	Description
1C/1D	PCIE_RX [0:3]	CML/LVDS input	8(4p)	PCIe Gen2 Receive
1D	SFP+_TX [0:1]	CML output	4(2p)	SFP+ Transmit
1D	SFP+_RX [0:1]	CML / LVDS input	4(2p)	SFP+ Receive
1D	USB31_TX	CML output	2(1p)	USB3.1 Transmit
1D	USB31_RX	CML/LVDS input	2(1p)	USB3.1 Receive
1C/1D	FMC_DP_C2M [0:4]	CML output	10(5p)	FMC Transmit
1C/1D	FMC_DP_M2C [0:4]	CML/LVDS input	10(5p)	FMC Receive
Global FPGA Clocks				
2A	M10_USB_CLK	1.8 V CMOS input	1	30/48 MHz from U2 (MAX10)
2A	C10_REFCLK1	LVDS input	2	125 MHz (adjustable)
2L	C10_CLK50M	1.8 V CMOS input	1	50 MHz OSC, free running
2L	C10_REFCLK2	LVCOS input	2	100 MHz (adjustable)
2J	REFCLK_EMIF	LVDS input	2	21.186 MHz (adjustable)
Global FPGA Reset				
2A	FPGA_RESETh	1.8 V CMOS input	1	From U2 (Intel MAX 10)
JTAG				
CSS	C10_TCK	1.8 V CMOS input	1	From U2 (Intel MAX 10)
CSS	C10_TMS	1.8V CMOS input	1	From U2 (Intel MAX 10)
CSS	C10_TDI	1.8 V CMOS input	1	From U2 (Intel MAX 10)
CSS	C10_TDO	1.8 V CMOS input	1	To U2 (Intel MAX 10)
Configuration				
2A	C10_CLKUSR	1.8 V CMOS input	1	100 MHz, for calibration
CSS	C10_MSEL[0:1]	1.8 V CMOS input	2	From DIP Switch S1
CSS	C10_nSTATUS	1.8 V CMOS output	1	To U2/U3 (Intel MAX 10)
CSS	C10_CONF_DONE	1.8 V CMOS output	1	To U2/U3 (Intel MAX 10)
CSS	C10_nCONFIG	1.8 V CMOS input	1	From U2 (Intel MAX 10)
CSS	C10_CS0n	1.8 V CMOS output	1	To U4 (EPCQ-L)
CSS	C10_AS_D [0:3]	1.8 V CMOS inout	4	To U4 (EPCQ-L)
CSS	C10_DCLK	1.8 V CMOS inout	1	To U4 (EPCQ-L) for ASx4
<i>continued...</i>				



Bank Number	Function	I/O Type	I/O Count	Description
				From U3 (Intel MAX 10) for FPPx16
2A	FPP [0:15]	1.8 V CMOS input	16	From U3 (Intel MAX 10)
2A	CVP_CONFDONE	1.8 V CMOS output	1	To U2 (Intel MAX 10)
UBII Side Bus				
2A	M10_USB_DATA [0:7]	1.8 V CMOS input	8	From U2 (Intel MAX 10)
2A	M10_USB_ADDR [0:1]	1.8 V CMOS input	2	From U2 (Intel MAX 10)
2A	M10_USB_RDn	1.8 V CMOS input	1	From U2 (Intel MAX 10)
2A	M10_USB_WRn	1.8 V CMOS input	1	From U2 (Intel MAX 10)
2A	M10_USB_RESETh	1.8 V CMOS input	1	From U2 (Intel MAX 10)
2A	M10_USB_FULLL	1.8 V CMOS output	1	From U2 (Intel MAX 10)
2A	M10_USB_EMPTY	1.8 V CMOS output	1	From U2 (Intel MAX 10)
2A	M10_USB_Oen	1.8 V CMOS input	1	From U2 (Intel MAX 10)
2A	M10_USB_SCL	1.8 V CMOS input	1	From U2 (Intel MAX 10)
2A	M10_USB_SDA	1.8 V CMOS inout	1	From U2 (Intel MAX 10)
EMIF				
2J	DDR3_A [0:14]	1.5 V SSTL output	15	To U12/U13/U14 DDR3
2J	DDR3_BA [0:2]	1.5 V SSTL output	3	To U12/U13/U14 DDR3
2J	DDR3_RASn	1.5 V SSTL output	1	To U12/U13/U14 DDR3
2J	DDR3_CASn	1.5 V SSTL output	1	To U12/U13/U14 DDR3
2J	DDR3_WEn	1.5 V SSTL output	1	To U12/U13/U14 DDR3
2J	DDR3_CK	1.5 V SSTL output	2	To U12/U13/U14 DDR3
2J	DDR3_CKE [0:1]	1.5 V SSTL output	2	To U12/U13/U14 DDR3
2J	DDR3_ODT [0:1]	1.5 V SSTL output	2	To U12/U13/U14 DDR3
2J	DDR3_CS [0:1]	1.5 V SSTL output	2	To U12/U13/U14 DDR3
<i>continued...</i>				



Bank Number	Function	I/O Type	I/O Count	Description
2J	DDR3_RSTn	1.5 V CMOS output	1	To U12/U13/U14 DDR3
2J/2K	DDR3_D [0:39]	1.5 V SSTL inout	40	To U12/U13/U14 DDR3
2J/2K	DDR3_DQS [0:4]	1.5 V SSTL inout	10	To U12/U13/U14 DDR3
FMC LVDS GPIO				
3A/3B	FMC_LA_TX [0:16]	Vadj CMOS inout	34	To J7 (FMC), DC
3A/3B	FMC_LA_RX [0:14]	Vadj CMOS inout	30	To J7 (FMC), DC
3A/3B	FMC_LA_CC [0:1]	Vadj CMOS input	4	From J7 (FMC), DC
3A/3B	FMCA_CLK_M2C [0:1]	Vadj CMOS input	4	From J7 (FMC), DC
3B	FMC_PRSN_1V8	Vadj CMOS input	1	From J7 (FMC)
3A	FMC_SCL	Vadj CMOS output	1	To J7 (FMC)
3A	FMC_SDA	Vadj CMOS inout	1	To J7 (FMC)
10/100/1000 Base-T				
2A	SGMII_TXP/N	LVDS output	2	To U33 (88E1111 PHY), AC
2A	SGMII_TXP/N	LVDS input	2	To U33 (88E1111 PHY), AC
2L	ETH_MDC_C10	1.8 V CMOS output	1	To U33 (88E1111 PHY)
2L	ETH_MDIO_C10	1.8 V CMOS inout	1	To U33 (88E1111 PHY), AC
2L	ETH_INTn_C10	1.8 V CMOS input	1	To U33 (88E1111 PHY), AC
2L	ETH_RESEn_C10	1.8 V CMOS output	1	To U33 (88E1111 PHY), AC
SFP+ sideband				
2L	SFP_SCL_0	1.8 V CMOS output	1	To J5 (SFP+ 0)
2L	SFP_SDA_0	1.8 V CMOS inout	1	To J5 (SFP+ 0)
2L	SFP_INT_0	1.8 V CMOS input	1	To J5 (SFP+ 0)
2L	SFP_SCL_1	1.8 V CMOS output	1	To J6 (SFP+ 1)
2L	SFP_SDA_1	1.8 V CMOS inout	1	To J6 (SFP+ 1)
2L	SFP_INT_1	1.8 V CMOS input	1	To J6 (SFP+ 1)
PCIe sideband				
2L	PCIE_WAKEn	1.8 V CMOS input	1	To golden finger, reserved
2L	PCIE_SMBCLK	1.8 V CMOS output	1	To golden finger
2L	PCIE_SMBDAT	1.8 V CMOS inout	1	To golden finger
2A	PCIE_PERSTn	1.8 V CMOS input	1	To golden finger
<i>continued...</i>				



Bank Number	Function	I/O Type	I/O Count	Description
ULPI (USB 2.0)				
2L	USB_D [0:7]	1.8 V CMOS inout	8	To U32 (USB Transceiver)
2L	USB_NXT	1.8 V CMOS input	1	To U32 (USB Transceiver)
2L	USB_DIR	1.8 V CMOS input	1	To U32 (USB Transceiver)
2L	USB_STP	1.8 V CMOS output	1	To U32 (USB Transceiver)
2L	USB_CLK	1.8 V CMOS output	1	60 MHz, REFCLK for ULPI
2L	USB_RESETh	1.8 V CMOS output	1	To U32 (USB Transceiver)
USB3.1 sideband				
2L	USB_SCL	1.8 V CMOS output	1	To U26 (USB3.1 Transceiver Switch)
2L	USB_SDA	1.8 V CMOS inout	1	To U26 (USB3.1 Transceiver Switch)
2L	USB_PWEN	1.8 V CMOS output	1	To U25 (USB3.1 Transceiver Switch)
2L	USB_SW_INTh_1.8V	1.8 V CMOS input	1	To U26 (USB3.1 Transceiver Switch)
2L	USB_ID_1.8V	1.8 V CMOS input	1	To U26 (USB3.1 Transceiver Switch)
QSPI Flash				
2L	C10_QSPI_CS _n	1.8 V CMOS output	1	To U58 (QSPI Flash)
2L	C10_QSPI_RESETh	1.8 V CMOS output	1	To U58 (QSPI Flash)
2L	C10_QSPI_CLK	1.8 V CMOS output	1	To U58 (QSPI Flash)
2L	C10_QSPI_D [0:3]	1.8 V CMOS inout	4	To U58 (QSPI Flash)

4.3. MAX 10 System Controller

The highlights of the Intel MAX 10 devices include:

- Internally stored dual configuration flash
- User flash memory
- Instant on support
- Integrated analog-to-digital converter (ADC)
- Single-chip Nios II soft core processor support

Intel MAX 10 devices are the ideal solution for system management, I/O expansion, communication control planes, industrial, automotive, and consumer applications.



Table 6. Summary of Features for Intel MAX 10 Devices

Feature	Description
Technology	55 nm TSMC Embedded Flash (Flash + SRAM) process technology
Packaging	<ul style="list-style-type: none"> • Low cost, small form factor packages—support multiple packaging technologies and pin pitches • Multiple device densities with compatible package footprints for seamless migration between different device densities • RoHS6-compliant
Core architecture	<ul style="list-style-type: none"> • 4-input look-up table (LUT) and single register logic element (LE) • LEs arranged in logic array block (LAB) • Embedded RAM and user flash memory • Clocks and PLLs • Embedded multiplier blocks • General purpose I/Os
Internal memory blocks	<ul style="list-style-type: none"> • M9K—9 kilobits (Kb) memory blocks • Cascadable blocks to create RAM, dual port, and FIFO functions
User flash memory (UFM)	<ul style="list-style-type: none"> • User accessible non-volatile storage • High speed operating frequency • Large memory size • High data retention • Multiple interface option
Embedded multiplier blocks	<ul style="list-style-type: none"> • One 18 × 18 or two 9 × 9 multiplier modes • Cascadable blocks enabling creation of filters, arithmetic functions, and image processing pipelines
ADC	<ul style="list-style-type: none"> • 12-bit successive approximation register (SAR) type • Up to 16 analog inputs • Cumulative speed up to 1 million samples per second (MSPS) • Integrated temperature sensing capability
Clock networks	<ul style="list-style-type: none"> • Global clocks support • High speed frequency in clock network
Internal oscillator	Built-in internal ring oscillator
PLLs	<ul style="list-style-type: none"> • Analog-based • Low jitter • High precision clock synthesis • Clock delay compensation • Zero delay buffering • Multiple output taps
General-purpose I/Os (GPIOs)	<ul style="list-style-type: none"> • Multiple I/O standards support • On-chip termination (OCT) • Up to 830 megabits per second (Mbps) LVDS receiver, 800 Mbps LVDS transmitter
External memory interface (EMIF)	Supports up to 600 Mbps external memory interfaces: <ul style="list-style-type: none"> • DDR3, DDR3L, DDR2, LPDDR2 • SRAM (Hardware support only)

continued...



Feature	Description
	<i>Note:</i> For 600 Mbps performance, -6 device speed grade is required. Performance varies according to device grade (commercial, industrial, or automotive) and device speed grade (-6 or -7). Refer to the MAX 10 Device Data Sheet or External Memory Interface Spec Estimator for more details.
Configuration	<ul style="list-style-type: none"> Internal configuration JTAG Advanced Encryption Standard (AES) 128-bit encryption and compression options Flash memory data retention of 20 years at 85 °C
Flexible power supply schemes	<ul style="list-style-type: none"> Single- and dual-supply device options Dynamically controlled input buffer power down Sleep mode for dynamic power reduction

Related Information

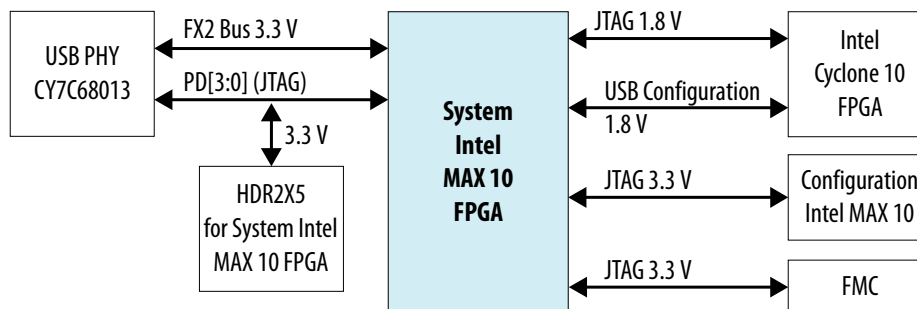
[MAX 10 FPGA Device Overview](#)

4.4. FPGA Configuration

JTAG

The JTAG topology of the board is shown in the figure below. An on-board USB Blaster is implemented with the Intel MAX 10. It is in the form of a micro-USB type-B connector (J9).

Figure 3. JTAG topology block diagram



The system Intel MAX 10 device itself can be configured through on-board USB port or an external USB-Blaster II header. the 2x5 header for Intel MAX 10 is not mounted by default.

A secondary Intel MAX 10 device is used for PFL configuration mode. This CFG Intel MAX 10 is configured with on-board USB port.

The Intel Cyclone 10 GX FPGA device is configured with on-board USB port or an external USB-Blaster II header.

The FMC interface also has a JTAG interface. The FMC JTAG can also be included into the JTAG chain.

The Intel Cyclone 10 GX device JTAG and FMC JTAG can be put included or isolated from the JTAG chain by setting a DIP switch S5.

Table 7. JTAG DIP Switch Settings

Switch	Signal	Function
S5.1	FMC_JTAGEN	ON - Disable JTAG
S5.2	C10_JTAGEN	ON - Disable JTAG

Configuration

The Intel Cyclone 10 GX FPGA device can be configured using different modes. Mode selection can be done using DIP switch S1.

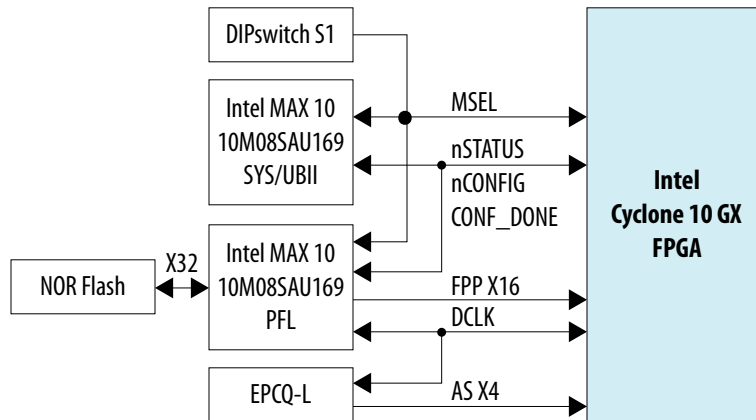
Table 8. Configuration Mode Settings

Configuration Scheme	V _{CCPGM} (V)	Power-On Reset Delay	Valid MSEL [2:0]
JTAG-based Configuration	-----	-----	Use any valid MSEL pin settings given below
AS (x1 and x4)	1.8	Fast	010
		Standard	011
PS and FPP (x8, x16, x32)	1.2 / 1.5 / 1.8	Fast	000
		Standard	001

Table 9. MSEL Switch S1 Definition

Switch	Signal	Note
S1.1	C10_MSEL0	MSEL2 is tied to GND ON - '0'
S1.2	C10_MSEL1	

Figure 4. FPGA Configuration Scheme Block Diagram



The Intel Cyclone 10 GX FPGA device is configured with two modes: ASx4 or FPP x16. The AS x4 mode uses an EPCQ-L 1024 to store the image. A dedicated Intel MAX 10 device is used to implement PFL. It interfaces with two pieces of x16 parallel NOR flash devices to get a x32 bus width. The highest density is 2 Gb. The flash interface works at 3.3 V and various NOR flashes from different vendors can be used with this board.



Micron MT28EW01GABA1LPC-0SITES is installed in manufacturing by default. 2 Gb is provided with the board.

For the Intel Cyclone 10 GX FPGA device, the image size is less than 85 Mb. Multiple images can be stored and selected by the user. The image to be used can be selected with a group of Push Buttons and LEDs.

The user can select between the images to be loaded into Intel Cyclone 10 GX FPGA.

- Cycling images by pushing button S7
- CFG Intel MAX 10 device displays current number to be used with LEDs D16-D18
- Initiate the reconfiguration by pushing button S12

The signal definition of these buttons and LEDs are shown below:

Table 10. Program Selection Signals Definition

Switch / LED	Signal	Note
S7	PGM_SEL	Select program
S12	SYS_CONFIG_PB	Reconfigure
D16	PGM_LED0	PGM_LED [2:0] indicates the program to be used
D17	PGM_LED1	
D18	PGM_LED2	

Side Bus

A group of Side Bus signals are defined between Intel MAX 10 and Intel Cyclone 10 GX FPGA device to provide a higher speed access through on-board USB-Blaster. This interface is reserved in hardware.

4.5. Status and User I/O Elements

4.5.1. Switches

Power Switch

The Power Switch S14 is at the edge of the card. When the switch stub is at higher position (marked 'OFF'), the power is OFF.

Note: When the board is inserted into a PCIe slot in computer, the power switch is override. The board is powered ON/OFF with the PCIe system irrespective of the position of the power switch.

DIP Switches

The DIP switches are on the bottom side of the board, close to the upper edge.

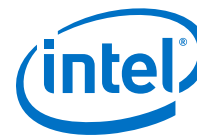


Table 11. DIP Switch Definition

Board Reference	Switch	Signal Name	Default Value	Function
S9	S9.1	USER_DIP0	1	User available Digital Input 0
	S9.2	USER_DIP1	1	User available Digital Input 1
S15	S15.1	USER_DIP2	1	User available Digital Input 2
	S15.2	USER_DIP3	1	User available Digital Input 3
S6	S6.1	CFG_M10_PGM0	1	Reserved, No Function
	S6.2	CFG_M10_PGM0	1	
S1	S1.1	C10_MSEL0	1	Intel Cyclone 10 GX MSEL
	S1.2	C10_MSEL1	1	
S3	S3.1	Si5340_INSEL0	1	Input selection for clock generator chip, the Si5332 on this board [INSEL1, INSEL0] values: 01 - internal oscillator 10 - external reference input from SMB Set to 01 by default
	S3.2	Si5340_INSEL1	0	
S2	S2.1	CLKBUF_SEL	0	Set the input source of Si53307 0: Use CLKIN0 1: Use CLKIN1 Fixed to '0'
	S2.2	Si570_OE	1	Enable the output of Si570 (Y2) 0: Output disabled 1: Output enabled Fixed to '1'
S5	S5.1	FMC_JTAGEN	1	Enable FMC Card JTAG 0: Isolate FMC card JTAG from the chain 1: Add FMC Card JTAG into the chain
	S5.2	C10_JTGEN	1	Enable Intel Cyclone 10 GX FPGA JTAG 0: Isolate FPGA JTAG from the chain 1: Add FPGA JTAG into the chain

4.5.2. Pushbuttons

The push buttons are located on the upper right corner of the board.

**Table 12. Push Button Definition**

Board Reference	Signal Name	Function
S11	USER_PB2	User available Pushbutton 2
S10	USER_PB1	User available Pushbutton 1
S8	USER_PB0	User available Pushbutton 0
S7	PGM_SEL	PFL Image selection. Use this pushbutton to rotate through three images.
S12	SYS_CONFIG_PB	Trigger reconfiguration to Intel Cyclone 10 GX FPGA. The image used for configuration is selected with PGM_SEL button and indicated by PGM_NUM LEDs
S13	C10_RESETh_PB	Trigger logic reset to Intel Cyclone 10 GX FPGA logic. The state of the configured logic is reset, the configuration remains unchanged.

4.5.3. LEDs

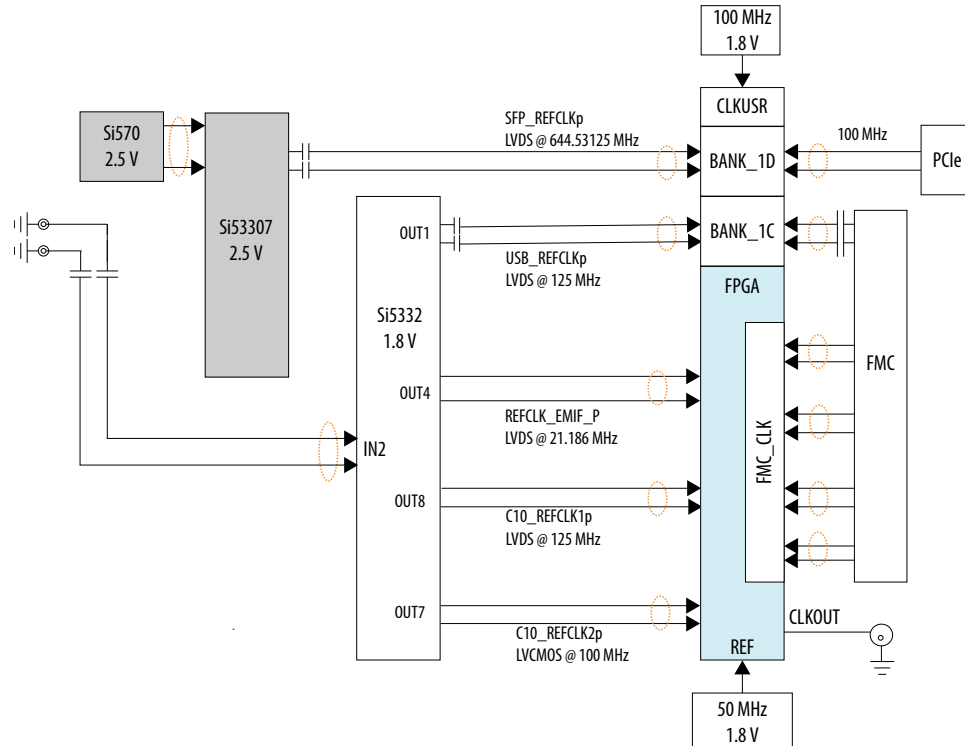
The LEDs are on the top side of the board at the upper right corner.

Table 13. Board LED Definition

Board Reference	Signal Name	Colour	Function
D16	PGM_LED0	Green	Image 0 is loaded in FPP mode
D17	PGM_LED1	Green	Image 1 is loaded in FPP mode
D18	PGM_LED2	Green	Image 2 is loaded in FPP mode
D14	LOAD_LED	Green	Indicates image is loading
D15	CFGDONE_LED	Green	Indicates image loading succeeded
D13	ERR_LED	Red	Indicates image loading failed
D22	USER_LED3	Green	'1' to light, output from FPGA
D19	USER_LED0	Green	'1' to light, output from FPGA
D20	USER_LED1	Green	'1' to light, output from FPGA
D21	USER_LED2	Green	'1' to light, output from FPGA
D23	POK_LED	Green	Indicates power is OK

4.6. Clocks

Figure 5. Clock Distribution

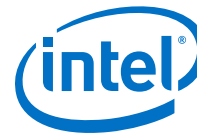


The Intel Cyclone 10 GX FPGA local clocks are generated with Si570 + Si53307 + Si5332.

Si570 is a programmable oscillator. It is configurable with an I2C interface at address $7'b110_0110$. Si53307 is a clock buffer. With Si570 + Si53307, a high frequency reference clock at frequency up to 725 MHz is available for Intel Cyclone 10 GX FPGA Transceiver. Other clocks are generated with an programmable clock generator Si5332 at I2C address $7'b110_1010$.

Features of Si5332

- Output frequency Range: 5 MHz to 312.5 MHz differential
- Input frequency Range: 10 MHz to 250 MHz differential, 16 MHz to 30 MHz external crystal
- Embedded 50 MHz crystal option for 8 or 12 port devices
- MultiSynth technology enables any frequency synthesis on any output up to 250 MHz
- Highly configurable output path featuring a cross-point multiplexer
 - Up to three independent fractional synthesis output paths
 - Up to five independent integer dividers
 - The Input Reference Clock



- Low Phase Jitter: 400 fs rms max
- Programmable spread spectrum
- 1.8 V, 2.5 V, 3.3 V core V_{DD}
- 1.8 V, 2.5 V, 3.3 V differential output

A local free running 100 MHz oscillator is used to generate the reference clock for calibration. This clock is also used by ASx4 configuration. A free running 50 MHz oscillator is used to generate a reference clock for FPGA core.

The Intel MAX 10 works with free running 50 MHz oscillator. Adjusting the variable clocks does not affect the working of the Intel MAX 10 device.

4.7. Memory

4.7.1. EMIF with DDR3

The Intel Cyclone 10 GX FPGA device supports DDR3 memory up to 933 MHz. On this development kit, a DDR3 x40 at 933 MHz is implemented with DDR3 devices. The EMIF uses continuous banks in the same column. To achieve 933 MHz speed, EMIF uses bank 2J and 2K to support 40-bit width at 933 MHz. The signal definition conforms to the EMIF constraints.

4.7.2. QSPI Flash

Besides the flash memories used by the configuration modules, a user accessible QSPI Flash device is provided for non-volatile data storage. The device is 256 Mb with 4-bit data width.

4.8. Power

This development kit is powered by a +12 V power source. The power is one of the following:

- PCIe golden finger from PCIe system
- ATX 2 x 4 or external AC/DC adaptor.

Attention: The ATX 2x4 and external adaptor cannot be used simultaneously. The ATX 2x4 can work together with the PCIe system power input to provide power higher than 25 W.

Power Distribution

Figure 6. Power Distribution Scheme

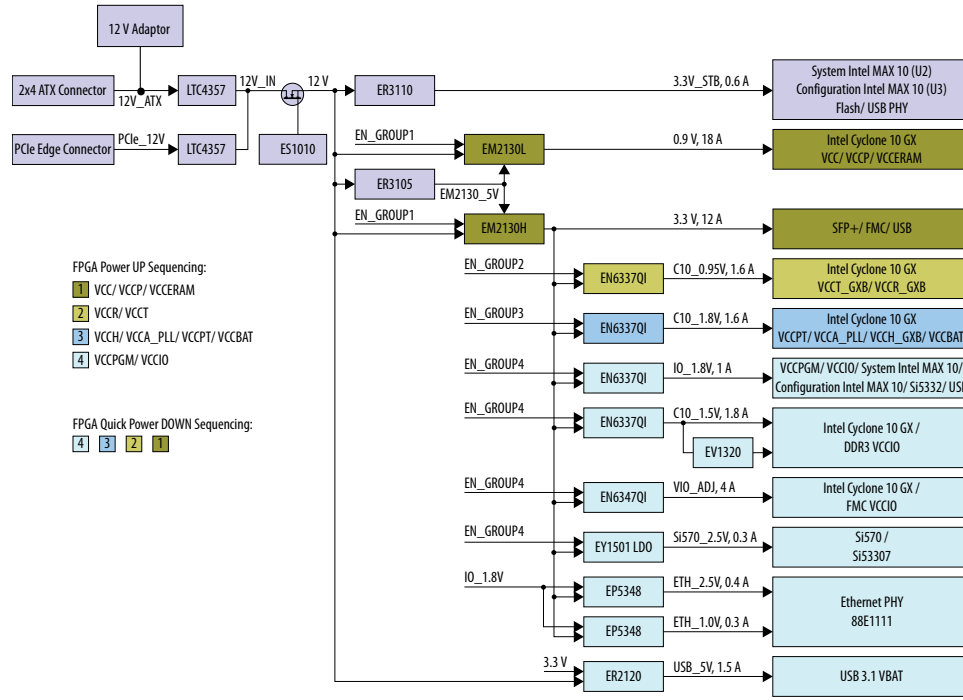


Table 14. Enpirion Power Regulators

Power Group	Power Rail	Generated From (V)	Maximum Current (A)	Intel Enpirion Part
0	3.3 V for Intel MAX 10	12	0.65	ER3110
	5 V for EM2130	12	0.20	ER3105
1	0.9 V	12	16.18	EM2130L
	3.3 V	12	12.39	EM2130H
2	0.95 V	3.3	1.53	EN6337
3	1.8 V	3.3	1.54	EN6337
4	1.8 V	3.3	0.75	EN6337
	1.5 V	3.3	1.83	EN6337
	VADJ	3.3	4.00	EN6347
	2.5 V for clock	3.3	0.22	EY1501
	2.5 V for GigE	3.3	0.40	EP5348
	1 V for GigE	3.3	0.30	EP5348
	5 V for USB3.1	12	1.50	ER2120
	VTT	1.5	0.6	EV1320
Softstart			ES1010	



4.9. Transceivers Interfaces and Communication Ports

4.9.1. Transceiver Channels

The Intel Cyclone 10 GX FPGA device has 12 channels of transceivers that work at 12.5 Gbps. The transceivers are organized in two banks, each bank has six channels.

Table 15. Transceiver Channel Allocation

Channel Number (Bank 1C)	Function (Bank 1C)	Channel Number (Bank 1D)	Function (Bank 1D)
0	FMC_DP [0]	0	PCIe [2]
1	FMC_DP [1]	1	PCIe [3]
2	FMC_DP [2]	2	FMC_DP [4]
3	FMC_DP [3]	3	SFP+ 1
4	PCIe [0]	4	SFP+ 0
5	PCIe [1]	5	USB3.1

4.9.2. PCIe Interface

The PCIe x4 Gen2 Hard IP with CvP is implemented in this development kit. The position of the PCIe channels is fixed by the hard IP. This development kit is a PCIe add-in card. The PCIe interface is configured to End-Point.

The PCIe interface has the following signals:

- Transceivers, x4, up to 5 Gbps
- PCIE_REFCLKp/n, 100 MHz from PCIe system
- PCIE_SMBUS, 3.3V level-translated to 1.8V with U18
- PCIE_PERSTn, 3.3V level-translated to 1.8V with U17
- PCIE_WAKEn, 3.3V level-translated to 1.8V with U17, reserved

The PCIe width can be selected with Jumper resistors:

- R506 installed, x1 mode
- R507 installed, x4 mode, this is the default mode

There are three power rails from PCIe golden finger connector:

- +12 V, +/- 8 %, up to 75 W, is used as power of the board
- +3.3 V, +/- 9 %, up to 10 W, is not used on this board
- +3.3 Vaux, +/- 9 %, 375 mA max, is not used since wakeup is not supported

4.9.3. SFP+ Interface

Two SFP+ connectors (J5, J6) are provided on the PCIe bracket. Each connector supports a 10 GE SFP+ hot pluggable module.



Each SFP+ interface has the following signals:

- Transceivers, x1 for each SFP+, up to 12.5 Gbps
- SMBUS (I²C), 3.3V for SFP+ and I/O expander, level-translated 10 1.8V with U22/U23
- IRQ of I/O expander, 3.3V level-translated to 1.8V with U19

Each SFP+ module has six status/control signals and two LEDs. The FPGA device does not have enough I/O pins for these signals, hence an I/O expander is used to implement these I/Os for each SFP+ connector. The I²C I/O expander is on the same I²C bus as the SFP+ module, and the I²C bus of two SFP+ modules are independent of each other.

The I/O expander used is TI TCA9534PWR. U20 is for SFP+ 0, with I²C address 7'b010_0000. U21 is for SFP+, with I²C address 7'b010_0000.

The I/O expander has 8 I/Os. The definition of the I/Os is shown in the table below. The device is controlled with I²C bus.

Table 16. I/O Expander: I/O Definition

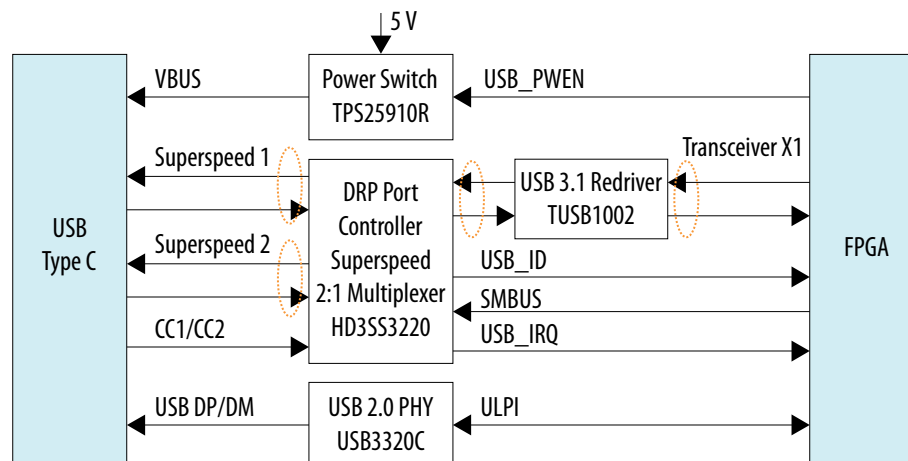
I/O Number	Signal	I/O Type	Function
P0	SFP_RLED	Output	Red LED, indicates LOS/ERR, "0" - ON
P1	SFP_GLED	Output	Green LED, indicates Link, "0" - ON
P2	SFP_TXDIS	Output	Tx_Disable, Pulled up, Transmitter is turned off if high
P3	SFP_TFLT	Input	Tx_Fault, Pulled up, indicates fault when high
P4	SFP_RS1	Output	Rate Select, Pulled up with 1K resistor
P5	SFP_RLOS	Input	Rx_LOS, Pulled up, indicates LOS when high
P6	SFP_RS0	Output	Rate Select, Pulled up with 1K resistor
P7	SFP_PRSN	Input	Mod_ABS, Pulled up, module in place when low

The I/Os of TCA9534 is in high impedance input mode upon power up. Hence, the module is placed in TX_Disable mode and the LEDs are off. The status changes on the I/Os are reported with an IRQ to the FPGA. Each I/O expander has its own dedicated IRQ signal.

4.9.4. USB3.1 Type-C Interface

A USB3.1 Type-C interface (J8) is provided on the PCIe bracket. The interface supports SuperSpeed up to 10 Gbps as well as the backward compatible support of USB2.0.

Figure 7. USB3.1 Type-C Block Diagram



The Type-C connector provides any orientation insertion of the cable. To support this feature, a Texas Instruments DRP port Controller and SuperSpeed 2:1 MUX HD3SS3220 is used. The port is configured in DRP mode. The controller detects the orientation of the plugged cable and multiplexes the transceiver of the FPGA to two SuperSpeed interfaces. It also determines if the port is an Upstream Facing Port (UFP) or a Downstream Facing Port (DFP). It controls the power switch to feed the power to cable when in DFP mode. HD3SS3220 is controlled by the FPGA through a dedicated I²C bus.

Parameters of USB3.1

- I²C address is 7'b110_0111 by default. It can be changed to 7'b100_0111 by installing R199 and removing R198
- Port mode is Dual Role Port (DRP) by default. It can be changed to DFP if R177 is installed, or UFP if R178 is installed.
- Current Advertisement is 1.5A

A USB3.1 Redriver TUSB1002 is used to condition the high-speed signal because of the degradation caused by the 2:1 mux and to support the 10 Gbps SuperSpeed Plus. The equalization gain and V_{OD} gain of TUSB1002 are set by resistors. The default settings are:

- EQ for channel 1: 5.5 dB
- EQ for channel 2: 5.5 dB
- V_{OD} Gain: 0 for both channels with linear range 1200 mV.

The resistors are set in pull down mode on the board. Other configurations are available by changing the pulling resistors. EQ configurations with pin level "1" are not available.

The power of USB VBUS is controlled with a Texas Instruments power switch TPS25910. The voltage is 5 V and the maximum current is 1.5 A. The power control pin to the TPS25910 is connected to the USB_ID output of HD3SS3220. The power is applied to VBUS only when the port is in DFP mode. The power application can be controlled by the FPGA too. The USB_PWEN signal is active high because of the NMOS inverter.



USB_ID pin on HD3SS3220 indicates the port is linked as a power source (DFP), or dual-role (DRP) acting as source (DFP). USB_ID is connected to the FPGA as well as TPS25910 and USB3320.

Backward support for USB2.0 is implemented with Microchip's USB3320 USB PHY. It interfaces with the FPGA through ULPI interface. The reference clock mode for ULPI is FPGA clock output to USB3320.

4.9.5. FPGA Mezzanine Card (FMC) Interface

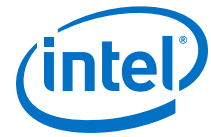
A FMC Connector (J7) is provided on the development kit for expansion. The FMC interface is compatible with the following daughter cards:

- 12G SDI: Semtech RDK-12GSRD-ALTRA00 Evaluation Board
- 8G DisplayPort: Bitec FMC DisplaPort Daughter Card
- 6G HDMI 2.0: Bitec FMC HDMI Daughter Card

Table 17. FMC Signals

Intel Cyclone 10 GX FPGA Development Kit				SDI	DisplayPort	HDMI
Signal	V57.1 Name	Signal Name	Pin Number	SDI FMC Signal Name	DisplayPort FMC Signal Name	HDMI FMC Signal Name
FMC_DP_C2M_P0	DP0_C2M_P	DP0_C2M_P	C2	x	FMC_TX_P0	GXB_TXp0
FMC_DP_C2M_N0	DP0_C2M_N	DP0_C2M_N	C3	x	FMC_TX_N0	GXB_TXn0
FMC_DP_C2M_P1	DP1_C2M_P	DP1_C2M_P	A22	x	FMC_TX_P1	GXB_TXp1
FMC_DP_C2M_N1	DP1_C2M_N	DP1_C2M_N	A23	x	FMC_TX_N1	GXB_TXn1
FMC_DP_C2M_P2	DP2_C2M_P	DP2_C2M_P	A26	FMC_GS12181_IN+	FMC_TX_P2	GXB_TXp2
FMC_DP_C2M_N2	DP2_C2M_N	DP2_C2M_N	A27	FMC_GS12181_IN-	FMC_TX_N2	GXB_TXn2
FMC_DP_C2M_P3	DP3_C2M_P	DP3_C2M_P	A30	x	FMC_TX_P3	GXB_TXp3
FMC_DP_C2M_N3	DP3_C2M_N	DP3_C2M_N	A31	X	FMC_TX_N3	GXB_TXn3
FMC_DP_C2M_P4	DP4_C2M_P	DP4_C2M_P	A34	x	x	x
FMC_DP_C2M_N4	DP4_C2M_N	DP4_C2M_N	A35	x	x	x
X	DP5_C2M_P	DP5_C2M_P	A38	x	x	x
X	DP5_C2M_N	DP5_C2M_N	A39	x	x	x
X	DP6_C2M_P	DP6_C2M_P	B36	x	x	x
X	DP6_C2M_N	DP6_C2M_N	B37	x	x	x
X	DP7_C2M_P	DP7_C2M_P	B32	x	x	x

continued...



Intel Cyclone 10 GX FPGA Development Kit				SDI	DisplayPort	HDMI
Signal	V57.1 Name	Signal Name	Pin Number	SDI FMC Signal Name	DisplayPort FMC Signal Name	HDMI FMC Signal Name
X	DP7_C2M_N	DP7_C2M_N	B33	x	x	x
X	DP8_C2M_P	DP8_C2M_P	B28	x	x	x
X	DP8_C2M_N	DP8_C2M_N	B29	x	x	x
X	DP9_C2M_P	DP9_C2M_P	B24	x	x	x
X	DP9_C2M_N	DP9_C2M_N	B25	x	x	x
FMC_DP_M2C_P0	DP0_M2C_P	DP0_M2C_P	C6	x	FMC_RX_P0	GXB_RXp0
FMC_DP_M2C_N0	DP0_M2C_N	DP0_M2C_N	C7	x	FMC_RX_N0	GXB_RXn0
FMC_DP_M2C_P1	DP1_M2C_P	DP1_M2C_P	A2	x	FMC_RX_P1	GXB_RXp1
FMC_DP_M2C_N1	DP1_M2C_N	DP1_M2C_N	A3	x	FMC_RX_N1	GXB_RXn1
FMC_DP_M2C_P2	DP2_M2C_P	DP2_M2C_P	A6	FMC_GS12141_OUT+	FMC_RX_P2	GXB_RXp2
FMC_DP_M2C_N2	DP2_M2C_N	DP2_M2C_N	A7	FMC_GS12141_OUT-	FMC_RX_N2	GXB_RXn2
FMC_DP_M2C_P3	DP3_M2C_P	DP3_M2C_P	A10	x	FMC_RX_P3	x
FMC_DP_M2C_N3	DP3_M2C_N	DP3_M2C_N	A11	x	FMC_RX_N3	x
FMC_DP_M2C_P4	DP4_M2C_P	DP4_M2C_P	A14	x	x	x
FMC_DP_M2C_N4	DP4_M2C_N	DP4_M2C_N	A15	x	x	x
X	DP5_M2C_P	DP5_M2C_P	A18	x	x	x
X	DP5_M2C_N	DP5_M2C_N	A19	x	x	x
X	DP6_M2C_P	DP6_M2C_P	B16	x	x	x
X	DP6_M2C_N	DP6_M2C_N	B17	x	x	x
X	DP7_M2C_P	DP7_M2C_P	B12	x	x	x
X	DP7_M2C_N	DP7_M2C_N	B13	x	x	x
X	DP8_M2C_P	DP8_M2C_P	B8	x	x	x
X	DP8_M2C_N	DP8_M2C_N	B9	x	x	x
X	DP9_M2C_P	DP9_M2C_P	B4	x	x	x
X	DP9_M2C_N	DP9_M2C_N	B5	x	x	x
FMC_GBTCLK_M2C_P0	GBTCLK0_M2C_P	GBTCLK0_M2C_P	D4	CLK_297MHz+(AC)	CLK_135_N(DC)	DVI_RX_CLKn(AC)
FMC_GBTCLK_M2C_N0	GBTCLK0_M2C_N	GBTCLK0_M2C_N	D5	CLK_297MHz-(AC)	CLK_135_P(DC)	DVI_RX_CLKp(AC)

continued...



Intel Cyclone 10 GX FPGA Development Kit				SDI	DisplayPort	HDMI
Signal	V57.1 Name	Signal Name	Pin Number	SDI FMC Signal Name	DisplayPort FMC Signal Name	HDMI FMC Signal Name
X	GBTCLK1_M2C_P	GTBCLK1_M2C_P	B20	x	x	x
X	GBTCLK1_M2C_N	GTBCLK1_M2C_N	B21	x	x	x
LA Bank						
FMC_LA_CC_P0	LA00_P_CC	LA_RX_CLK_P	G6	x	x	x
FMC_LA_CC_N0	LA00_N_CC	LA_RX_CLK_N	G7	x	x	x
FMC_LA_CC_P1	LA01_P_CC	LA_TX_CLK_P	D8	x	x	x
FMC_LA_CC_N1	LA01_N_CC	LA_TX_CLK_N	D9	x	x	x
FMC_LA_TXP0	LA02_P	LA_TX_P0	H7	FMC_GS12141_GPIO0	x	x
FMC_LA_TXN0	LA02_N	LA_TX_N0	H8	x	x	x
FMC_LA_RXP0	LA03_P	LA_RX_P0	G9	x	x	x
FMC_LA_RXN0	LA03_N	LA_RX_N0	G10	x	x	x
FMC_LA_TXP1	LA04_P	LA_TX_P1	H10	FMC_GS12141_GPIO2	x	x
FMC_LA_TXN1	LA04_N	LA_TX_N1	H11	FMC_GS12141_GPIO3	x	x
FMC_LA_TXP2	LA05_P	LA_TX_P2	D11	x	x	x
FMC_LA_TXN2	LA05_N	LA_TX_N2	D12	x	x	x
FMC_LA_RXP1	LA06_P	LA_RX_P1	C10	x	x	x
FMC_LA_RXN1	LA06_N	LA_RX_N1	C11	x	x	x
FMC_LA_TXP3	LA07_P	LA_TX_P3	H13	FMC_GS12181_GPIO0	x	x
FMC_LA_TXN3	LA07_N	LA_TX_N3	H14	FMC_GS12181_GPIO1	x	x
FMC_LA_RXP2	LA08_P	LA_RX_P2	G12	x	x	x
FMC_LA_RXN2	LA08_N	LA_RX_N2	G13	FMC_LMH1981_HSYNCn	x	x
FMC_LA_TXP4	LA09_P	LA_TX_P4	D14	x	x	x
FMC_LA_TXN4	LA09_N	LA_TX_N4	D15	x	x	x
FMC_LA_RXP3	LA10_P	LA_RX_P3	C14	x	x	x
FMC_LA_RXN3	LA10_N	LA_RX_N3	C15	x	x	x
FMC_LA_TXP5	LA11_P	LA_TX_P5	H16	FMC_GS12181_GPIO2	x	x

continued...

4. Development Kit Components

UG-20105 | 2018.08.15



Intel Cyclone 10 GX FPGA Development Kit				SDI	DisplayPort	HDMI
Signal	V57.1 Name	Signal Name	Pin Number	SDI FMC Signal Name	DisplayPort FMC Signal Name	HDMI FMC Signal Name
FMC_LA_TXN5	LA11_N	LA_TX_N5	H17	FMC_GS12181_GPIO3	x	x
FMC_LA_RXP4	LA12_P	LA_RX_P4	G15	FMC_LMH1981_VSYNCn	x	x
FMC_LA_RXN4	LA12_N	LA_RX_N4	G16	FMC_LMH1981_VIDEO_FMT	x	x
FMC_LA_TXP6	LA13_P	LA_TX_P6	D17	x	x	x
FMC_LA_TXN6	LA13_N	LA_TX_N6	D18	x	x	x
FMC_LA_RXP5	LA14_P	LA_RX_P5	C18	x	x	x
FMC_LA_RXN5	LA14_N	LA_RX_N5	C19	x	x	x
FMC_LA_TXP7	LA15_P	LA_TX_P7	H19	x	x	x
FMC_LA_TXN7	LA15_N	LA_TX_N7	H20	FMC_LMH1983_NO_REF	x	x
FMC_LA_RXP6	LA16_P	LA_RX_P6	G18	FMC_LMH1981_FLD2n	RX_HDP_FMC	x
FMC_LA_RXN6	LA16_N	LA_RX_N6	G19	x	AUX_RX_DRV_OUT_FMC	x
FMC_LA_TXP8	LA17_P_CC	LA_TX_P8	D20	x	x	x
FMC_LA_TXN8	LA17_N_CC	LA_TX_N8	D21	x	x	x
FMC_LA_RXP7	LA18_P_CC	LA_RX_P7	C22	x	x	x
FMC_LA_RXN7	LA18_N_CC	LA_RX_N7	C23	x	x	x
FMC_LA_TXP9	LA19_P	LA_TX_P9	H22	FMC_LMH1983_NO_ALIGN	AUX_RX_DRV_OE_FMC	x
FMC_LA_TXN9	LA19_N	LA_TX_N9	H23	FMC_LMH1983_NO_LOCK	AUX_RX_DRV_IN_FMC	x
FMC_LA_RXP8	LA20_P	LA_RX_P8	G21	FPGA_STATUS1	TX_SCL_FMC	DVI_RX_HPD_N
FMC_LA_RXN8	LA20_N	LA_RX_N8	G22	x	RX_SENSE_N_INV_FMC	DVI_RX_SDA
FMC_LA_TXP10	LA21_P	LA_TX_P10	H25	FMC_GSPI_SCLK	RX_SENSE_P_INV_FMC	DVI_RX_SCL
FMC_LA_TXN10	LA21_N	LA_TX_N10	H26	FMC_GSPI_SDI_N	TX_SDA_FMC	DVI_RX_CEC_IN_N
FMC_LA_RXP9	LA22_P	LA_RX_P9	G24	GSPI_OEn	x	DVI_RX_5V_N
FMC_LA_RXN9	LA22_N	LA_RX_N9	G25	FMC_GSPI_OEn	TX_HPD_INV_FMC	SCL
FMC_LA_TXP11	LA23_P	LA_TX_P11	D23	x	x	SDA
FMC_LA_TXN11	LA23_N	LA_TX_N11	D24	x	x	DVI_RX_CEC_OUT_N
FMC_LA_TXP12	LA24_P	LA_TX_P12	H28	FMC_LMH1983_INIT	AUX_TX_DRV_IN_FMC	DVI_TX_HPD_N

continued...



Intel Cyclone 10 GX FPGA Development Kit				SDI	DisplayPort	HDMI
Signal	V57.1 Name	Signal Name	Pin Number	SDI FMC Signal Name	DisplayPort FMC Signal Name	HDMI FMC Signal Name
FMC_LA_TXN12	LA24_N	LA_TX_N12	H29	FMC_FPGA_FL Dn	TX_CAD_INV_FMC	DVI_TX_SDA
FMC_LA_RXP10	LA25_P	LA_RX_P10	G27	CLK_RATE_SE L(PU 3.3V)	AUX_TX_DRV_OUT_FMC	DVI_TX_SCL
FMC_LA_RXN10	LA25_N	LA_RX_N10	G28	tp	AUX_TX_DRV_OE_FMC	DVI_TX_CEC_I N_N
FMC_LA_TXP13	LA26_P	LA_TX_P13	D26	x	x	DVI_TX_CEC_OUT_N
FMC_LA_TXN13	LA26_N	LA_TX_N13	D27	x	x	x
FMC_LA_RXP11	LA27_P	LA_RX_P11	C26	x	x	x
FMC_LA_RXN11	LA27_N	LA_RX_N11	C27	x	TX_CAD_FPGA	x
FMC_LA_TXP14	LA28_P	LA_TX_P14	H31	FMC_FPGA_VS YNCn	HDCP_SCL	x
FMC_LA_TXN14	LA28_N	LA_TX_N14	H32	FMC_FPGA_HS YNCn	HDCP_SDA	x
FMC_LA_RXP12	LA29_P	LA_RX_P12	G30	tp	x	x
FMC_LA_RXN12	LA29_N	LA_RX_N12	G31	x	x	x
FMC_LA_TXP15	LA30_P	LA_TX_P15	H34	LMK03328_PD N(PU 3.3V)	x	x
FMC_LA_TXN15	LA30_N	LA_TX_N15	H35	FMC_GSPI_CS _GS12181	x	x
FMC_LA_RXP13	LA31_P	LA_RX_P13	G33	x	x	x
FMC_LA_RXN13	LA31_N	LA_RX_N13	G34	x	x	x
FMC_LA_TXP16	LA32_P	LA_TX_P16	H37	FMC_GSPI_CS _GS12141	x	x
FMC_LA_TXN16	LA32_N	LA_TX_N16	H38	FMC_GSPI_SD OUT	x	x
FMC_LA_RXP14	LA33_P	LA_RX_P14	G36	x	x	x
FMC_LA_RXN14	LA33_N	LA_RX_N14	G37	x	x	x
Miscellaneous Signals						
FMCA_CLK_M2 C_P0	CLK0_M2C_P	CLK_M2C_P0	H4	FMC_AUDIO_C LK+	x	x
FMCA_CLK_M2 C_N0	CLK0_M2C_N	CLK_M2C_N0	H5	FMC_AUDIO_C LK-	x	x

continued...



Intel Cyclone 10 GX FPGA Development Kit				SDI	DisplayPort	HDMI
Signal	V57.1 Name	Signal Name	Pin Number	SDI FMC Signal Name	DisplayPort FMC Signal Name	HDMI FMC Signal Name
FMCA_CLK_M2_C_P1	CLK1_M2C_P	CLK_M2C_P1	G2	x	x	x
FMCA_CLK_M2_C_N1	CLK1_M2C_N	CLK_M2C_N1	G3	x	x	x
FMC_PRSNT	PRSNT_M2C_L	PRSNTN_M2C_L	H2	x	GND	GND
FMC_SCL	SCL	SCL	C30	FMC_I2C_SCL	x	x
FMC_SDA	SDA	SDA	C31	FMC_I2C_SDA	x	x
FMC_TMS	TMS	JTAG_TMS	D33	x	x	x
FMC_TDO	TDO	JTAG_TDO	D31	x	loopback	Loopback
FMC_TDI	TDI	JTAG_TDI	D30	x		
FMC_TCK	TCK	JTAG_TCK	D29	x	x	x

4.9.6. 10/100/1000Base-T Ethernet Connector

A copper Ethernet connector (RJ1) is provided on the PCIe bracket. This interface is implemented with Marvell 88E1111 10/100/1000Base-T Ethernet PHY.

The interface to FPGA is with SGMII through a pair of LVDS on FPGA. The PHY is managed with MDC/MDIO management interface. The signals used and hardware configuration pins of the Marvell device are shown in the table below:

Table 18. JTAG DIP Switch Settings

Hardware Configuration Pins	Connection	Bits	Bit [2]	Bit [1]	Bit [0]
Config0	GND	000	PHYADR [2:0] = 000		
Config1	GND	000	ENA_PAUSE = 0	PHYADR [4:3] = 00	
Config2	VDDO	111	ANEG [3:1] = 111		
Config3	GND	000	ANEG [0] = 0	ENA_XC = 0	DIS_125 = 0
Config4	LED_1000	100	HWCFG_MODE [2:0] = 100		
Config5	LED_10	110	DIS_FC = 1	DIS_SLEEP = 1	HWCFG_MODE [3] = 0
Config6	LED_RX	010	SEL_TWSI = 0	INT_POL = 1	75/50 OHM = 0

The default hardware configuration is

- Select MDC/MDIO interface. PHY address is 5'b00000.
- INTn signal is active low
- 50 Ohm termination for SGMII
- Disable fiber/copper auto selection



- Hardware Configuration mode is "SGMII without Clock with SGMII Auto-Neg to copper"
- Energy detect is disabled
- Disable crsoover
- PAUSE is disabled

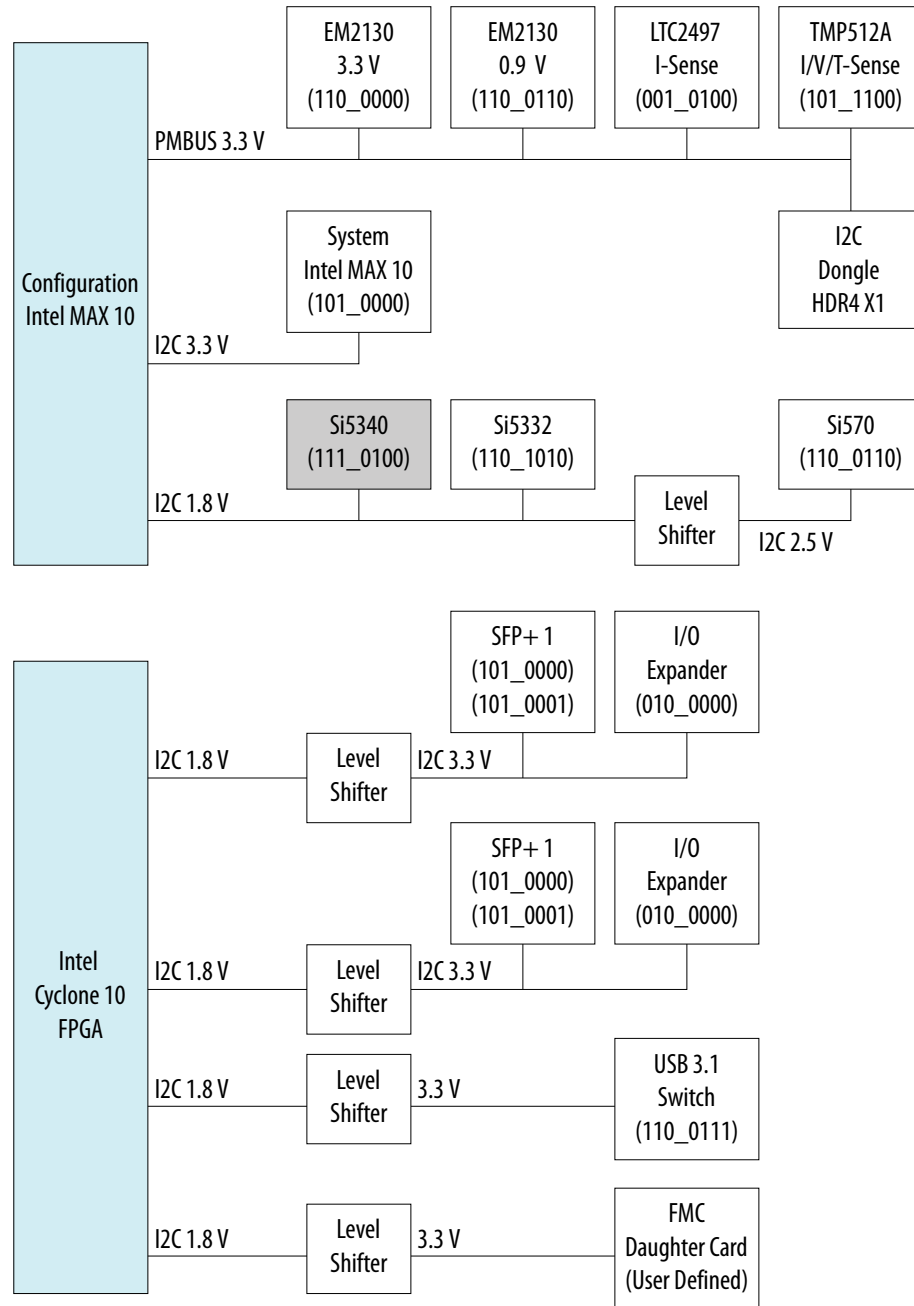
The registers of the Marvell 88E1111 device can be changed with MDC/MDIO. The MDC/MDIO is connected to the FPGA device through a level translator.

4.9.7. I²C/PMBUS

The power and various peripherals are managed by I²C/PMBUS. The topology of the I²C bus is shown in the figure below.



Figure 8. I²C Bus Topology





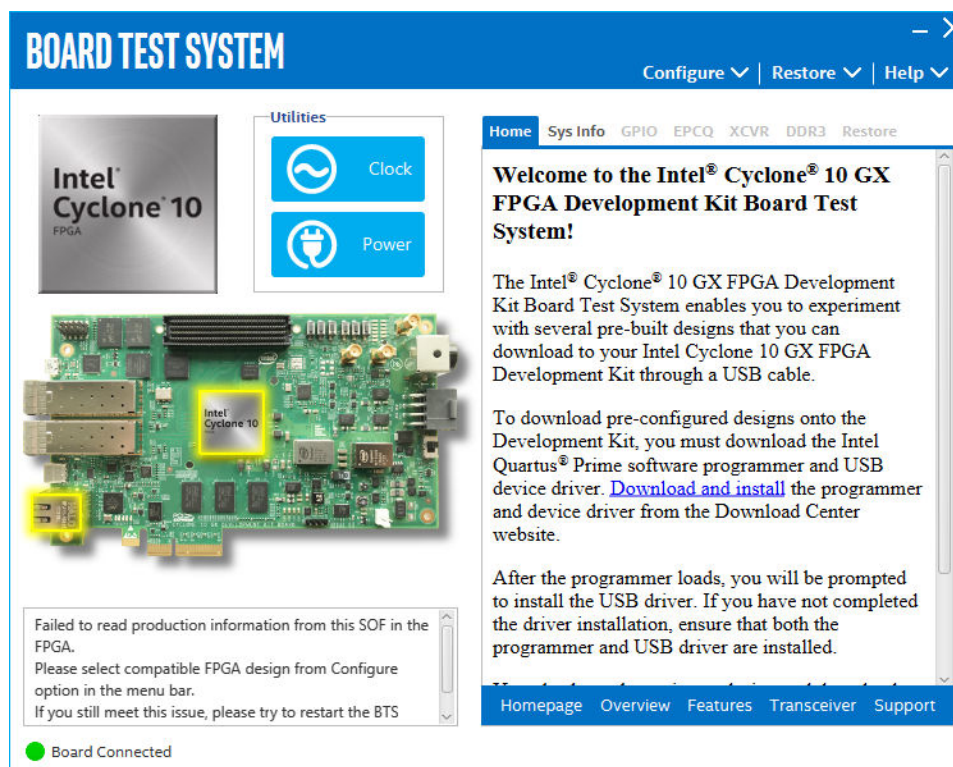
5. Board Test System

The Intel Cyclone 10 GX FPGA Development Kit includes a design example and an application called the Board Test System (BTS) to test the functionality of this board. The BTS provides an easy-to-use interface to alter functional settings and observe results. You can use the BTS to test board components, modify functional parameters, observe performance and measure power usage.

While using the BTS, you reconfigure the FPGA several times with test designs specific to the functionality that you are testing. The BTS is also useful as a reference for designing systems. The BTS communicates over the JTAG bus to a test design running in the Intel Cyclone 10 GX GX FPGA device.

The figure below shows the Graphical User Interface (GUI) for a board that is in factory configuration.

Figure 9. BTS GUI



Intel Corporation. All rights reserved. Intel, the Intel logo, Altera, Arria, Cyclone, Enpirion, MAX, Nios, Quartus and Stratix words and logos are trademarks of Intel Corporation or its subsidiaries in the U.S. and/or other countries. Intel warrants performance of its FPGA and semiconductor products to current specifications in accordance with Intel's standard warranty, but reserves the right to make changes to any products and services at any time without notice. Intel assumes no responsibility or liability arising out of the application or use of any information, product, or service described herein except as expressly agreed to in writing by Intel. Intel customers are advised to obtain the latest version of device specifications before relying on any published information and before placing orders for products or services.

*Other names and brands may be claimed as the property of others.

ISO
9001:2015
Registered



Figure 10. About BTS



5.1. Preparing the Board

Several designs are provided to test the major board features. Each design provides data for one or more tabs in the application. The Configure Menu identifies the appropriate design to download to the FPGA for each tab.

After successful FPGA configuration, the appropriate tab appears that allows you to exercise the related board features. Highlights appear in the board picture around the corresponding components.

The BTS communicates over the JTAG bus to a test design running in the FPGA. The BTS and Power Monitor share the JTAG bus with other applications like the Nios II debugger and the Signal Tap II Embedded Logic Analyzer. Because the BTS is designed based on the Intel Quartus Prime software, be sure to close other applications before you use the BTS.

The BTS relies on the Intel Quartus Prime software's specific library. Before running the BTS, open the Intel Quartus Prime software to automatically set the environment variable `$QUARTUS_ROOTDIR`. The BTS uses this environment variable to locate the Intel Quartus Prime library. The version of Intel Quartus Prime software set in the `QUARTUS_ROOTDIR` environment variable should be newer than version 14.1. For example, the Development Kit Installer version 15.1 requires that the Intel Quartus Prime software 14.1 or later version to be installed.

Also, to ensure that the FPGA is configured successfully, you should install the latest Intel Quartus Prime software that can support the silicon on the development kit. For this board, we recommend you install Intel Quartus Prime version 17.1.0.240.

Please refer to the `README.txt` file for more information in the `examples\board_test_system` directory.



5.2. Running the Board Test System

Before you begin

With the power to the board off, follow these steps:

1. Connect the USB cable to your PC and the board.
2. Check whether the development board switches and jumpers are set according to your preferences.
3. Set the load selector switch (S1) to (OFF OFF) for standard ASx4 mode. The development kit ships with the EPCQ Flash device preprogrammed with a default Simple Socket Server Example.
4. Turn on the power to the board. The board loads the design stored in the EPCQ flash memory into the FPGA.

Note: To ensure operating stability, keep the USB cable connected and the board powered on when running the demonstration application. The BTS cannot run correctly unless the USB cable is attached and the board is on.

To run the BTS

1. Navigate to the <package_dir>\examples\board_test_system directory and run the BoardTestSystem.exe application.
2. A GUI appears, displaying the application tab corresponding to the design running in the FPGA. If the design loaded in the FPGA is not supported by the BTS GUI, you will receive a message prompting you to configure your board with a valid BTS design. Refer to the Configure Menu on configuring your board.

Note: If some design is running in the FPGA, the BTS GUI loads the design file (.sof) in the image folder to check the current running design in the FPGA, therefore the design running in the FPGA must be the same with the design file in the image folder.

5.3. Using the Board Test System

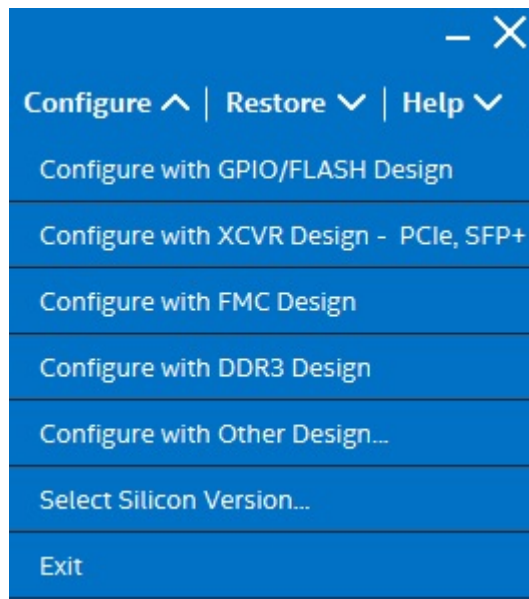
This section describes each control in the BTS.

5.3.1. The Configure Menu

Use the Configure Menu to select the design you want to use. Each design example tests different board features. Select a design from this menu and the corresponding tabs become active for testing.



Figure 11. The Configure Menu



To configure the FPGA with a test system design, perform the following steps:

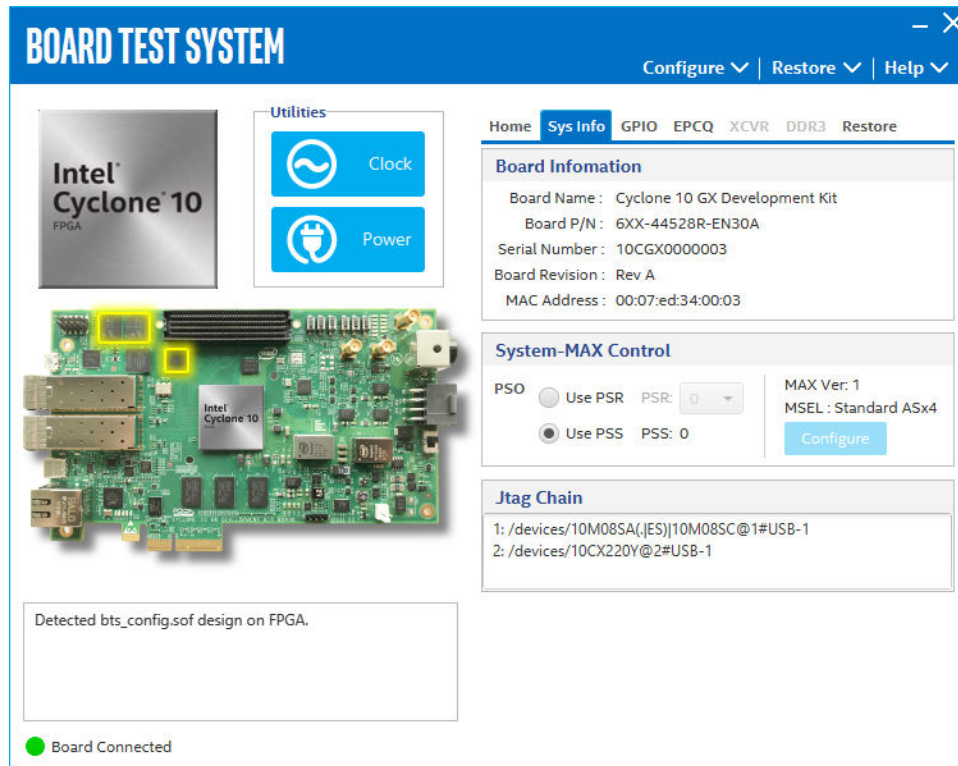
1. On the Configure menu, click the configure command that corresponds to the functionality you wish to test.
2. In the dialog box that appears, click Configure to download the corresponding design to the FPGA.
3. When configuration finishes, the design begins running in the FPGA. The corresponding GUI application tabs that interface with the design are now enabled.

If you use the Intel Quartus Prime Programmer for configuration, rather than the BTS GUI, you may need to restart the GUI.

5.3.2. The System Info Tab

The System Info tab shows the board's current configuration. The tab displays the contents of the Intel MAX 10 registers, the JTAG chain, the board's MAC address, and other details stored on the board.

Figure 12. The System Info tab



The following sections describe the controls of the System info tab

Board Information

The Board Information control displays static information about your board:

- Board Name: Indicates the official name of the board given by BTS
- Board P/N: Indicates the part number of the board
- Serial Number: Indicates the serial number of the board
- Board Revision: Indicates the revision of the board
- MAC Address: Indicates MAC Address of the board

System MAX Control

MAX Ver: Indicates the version of Intel MAX 10 code currently running on the board.

The Intel MAX 10 code resides in the <package_dir>\examples\max10 directory. Newer revisions of this code may be available on the Intel Cyclone 10 GX FPGA Development kit link on the Intel website.

The Intel MAX 10 register control allows you to view and change the current Intel MAX 10 register values as described in the table below. Change to the register values with the GUI take effect immediately.



Table 19. MAX 10 Registers

MAX 10 Register Values	Description
Configure	Resets the system and reloads the FPGA with a design from the CFI flash memory based on the other Intel MAX 10 register values. It works only in FPP mode.
PSO	Sets the Intel MAX 10 PSO register.
PSR	Sets the Intel MAX 10 PSR register. Allows PSR to determine the page of flash memory to use for FPGA reconfiguration. The numerical values in the list corresponds to the page of flash memory to load during the FPGA configuration.
PSS	Displays the Intel MAX 10 PSS register value. Allows the PSS to determine the page of flash memory to use for FPGA reconfiguration.

JTAG Chain

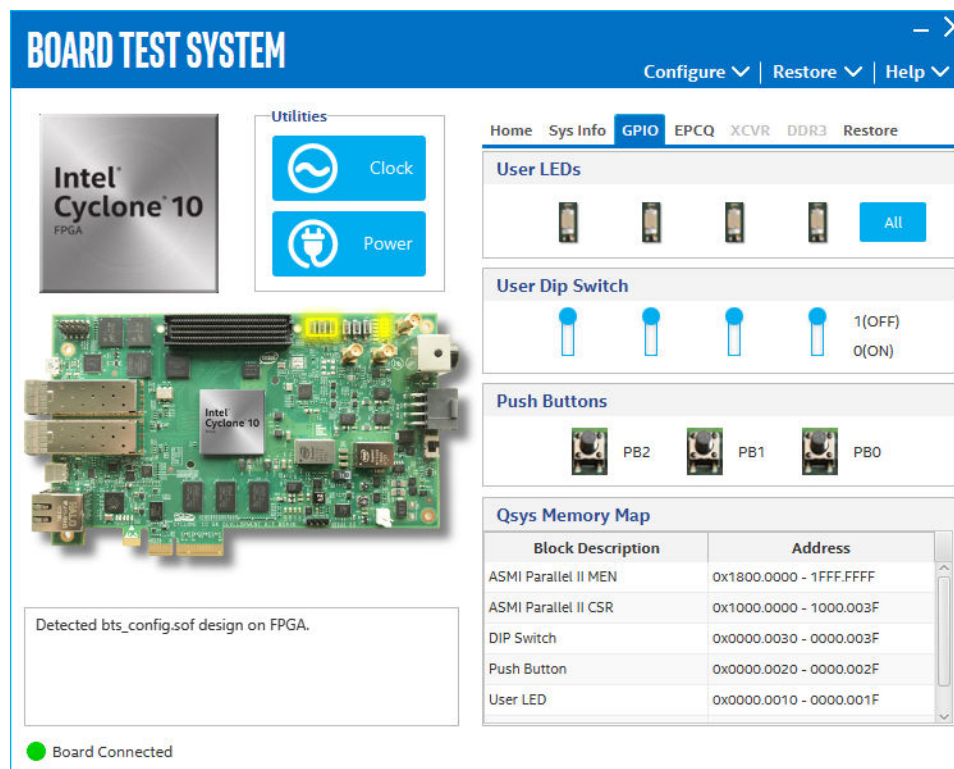
The JTAG chain shows all the devices currently in the JTAG chain.

Note: System MAX and FPGA should all be present in the JTAG chain when running BTS GUI.

5.3.3. The GPIO Tab

The GPIO tab allows you to interact with all the general purpose user I/O components on your board. You can read DIP switch settings, turn LEDs on or off and detect push button presses.

Figure 13. The GPIO Tab



The following sections describe the controls on the GPIO tab.

User DIP Switch

The read-only User DIP Switch control displays the current positions of the switches in the user DIP switch bank (SW1). Change the switches on the board to see the graphical display change.

User LEDs

The User LEDs control displays the current state of the user LEDs. Toggle the LED buttons to turn the board LEDs on or off.

Push Buttons

Read only control displays the current state of the board user push buttons. Press a push button on the board to see the graphical display change accordingly.

Qsys Memory Map

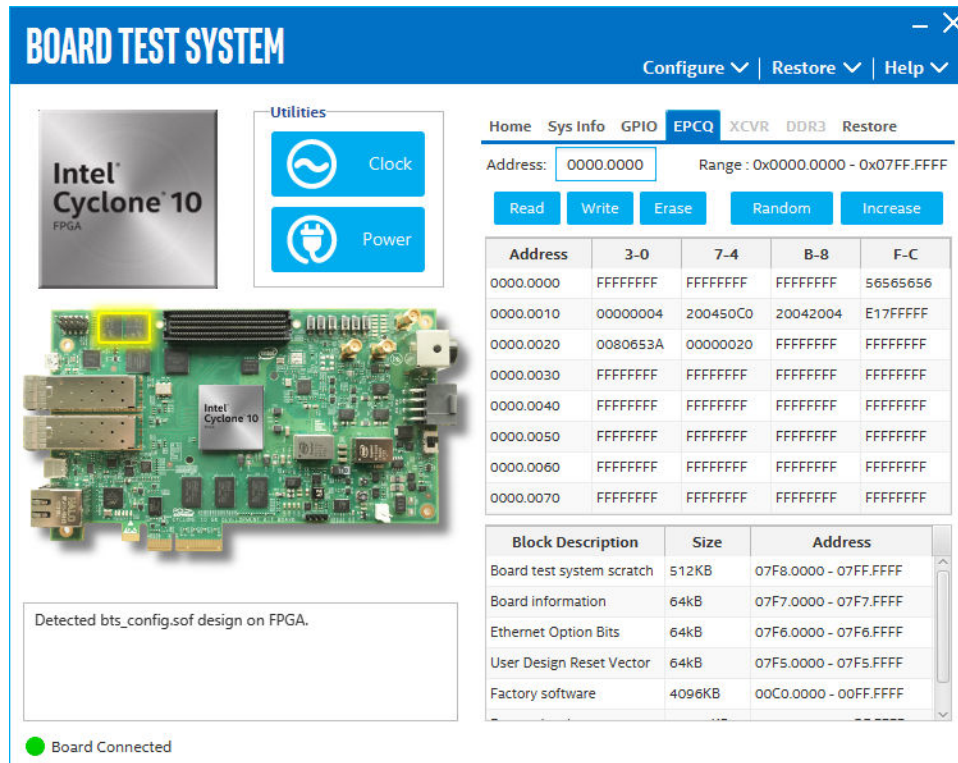
The Qsys memory map control shows the memory map of the `bts_config.sof` design running on your board.

5.3.4. The EPCQ Tab

The EPCQ tab allows you to read and write EPCQ flash memory on your board. The memory table displays the address 0 contents by default after you configure the FPGA.

Note: The EPCQ Tab works only when the board MSEL is configured on AS mode.

Figure 14. The Flash Tab





The following sections describe the controls on the Flash tab

Read

Reads the flash memory on your board. To see the flash memory contents, type a starting address in the text box and click Read. Values starting at the specified address in the table.

Write

Writes the flash memory on your board. To update the flash memory contents, change values in the table then press the Enter key and click Write. The application writes the new values to flash memory and then reads the values back to guarantee that the graphical display accurately reflects the memory contents.

Random

Starts a random data pattern test to flash memory, limited to the 512K test system scratch page.

Increase

Starts an incrementing data pattern test to flash memory, limited to the 512K test system scratch page.

Erase

Erases flash memory of the current sector.

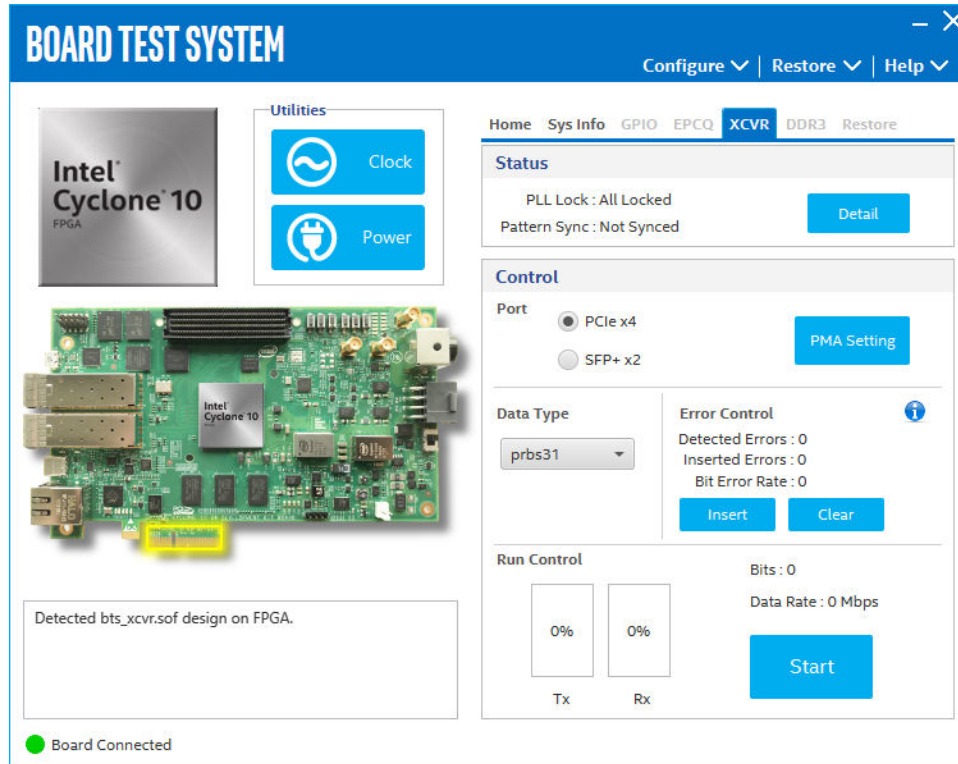
Flash Memory Map

Displays the flash memory map for the development board.

5.3.5. The XCVR Tab

This tab allows you to perform loopback tests on the PCIe and SFP+ ports.

Figure 15. The XCVR Tab



Status

Displays the following status information during a loopback test:

- PLL lock: Shows the PLL locked or unlocked state.
- Pattern sync: Shows the pattern synced or not synced state. The pattern is considered synced when the start of the data sequence is detected.
- Details: Shows the PLL lock, pattern sync status and number of errors for a single channel.

Channel	PLL Lock Status	Pattern Sync Status	Errors
0	Locked	Not Synced	0
1	Locked	Not Synced	0
2	Locked	Not Synced	0
3	Locked	Not Synced	0

Port

Allows you to specify which interface to test. The following port tests are available:



- PCIe
- SFP+

PMA Setting

Allows you to make changes to the PMA parameters that affect the active transceiver interface. The following settings are available for analysis:

- Serial Loopback: Routes signals between the transmitter and the receiver.
- VOD: Specifies the voltage output differential of the transmitter buffer.
- Pre-emphasis tap:
 - 1st pre: Specifies the amount of pre-emphasis on the pre-tap of the transmitter buffer.
 - 2nd pre: Specifies the amount of pre-emphasis on the second pre-tap of the transmitter buffer.
 - 1st post: Specifies the amount of pre-emphasis on the first post tap of the transmitter buffer.
 - 2nd post: Specifies the amount of pre-emphasis on the second post tap of the transmitter buffer.
- Equalizer: Specifies the AC gain setting for the receiver equalizer in four stage mode.
- DC gain: Specifies the DC gain setting for the receiver equalizer in four stage mode.
- VGA: Specifies the VGA gain value.

		Serial Loopback	Pre-emphasis tap					Equalizer	DC gain	VGA
			VOD	1st Pre	2nd Pre	1st Post	2nd Post			
<input checked="" type="checkbox"/>	All CH	<input type="checkbox"/>	31	-3	0	-10	6	1	0	2
<input type="checkbox"/>	Ch0	<input type="checkbox"/>	31	-3	0	-10	6	1	0	2
<input type="checkbox"/>	Ch1	<input type="checkbox"/>	31	-3	0	-10	6	1	0	2
<input type="checkbox"/>	Ch2	<input type="checkbox"/>	31	-3	0	-10	6	1	0	2
<input type="checkbox"/>	Ch3	<input type="checkbox"/>	31	-3	0	-10	6	1	0	2

Data Type

Specifies the type of data contained in the transactions. The following data types are available for analysis:

- PRBS 7: Selects pseudo-random 7-bit sequences.
- PRBS 15: Selects pseudo-random 15-bit sequences.
- PRBS 23: Selects pseudo-random 23-bit sequences.



- PRBS 31: Selects pseudo-random 31-bit sequences.
- high_freq: Selects highest frequency divide-by-2 data pattern 10101010.
- low_freq: Selects lowest frequency divide-by-33 data pattern.

Error Control

Displays data errors detected during analysis and allows you to insert errors:

- Detected errors: Displays the number of data errors detected in the hardware.
- Inserted errors: Displays the number of errors inserted into the transmit data stream.
- Insert: Inserts a one-word error into the transmit data stream each time you click the button. Insert is only enabled during transaction performance analysis.
- Clear: Resets the Detected errors and Inserted errors counters to zeroes.

Run Control

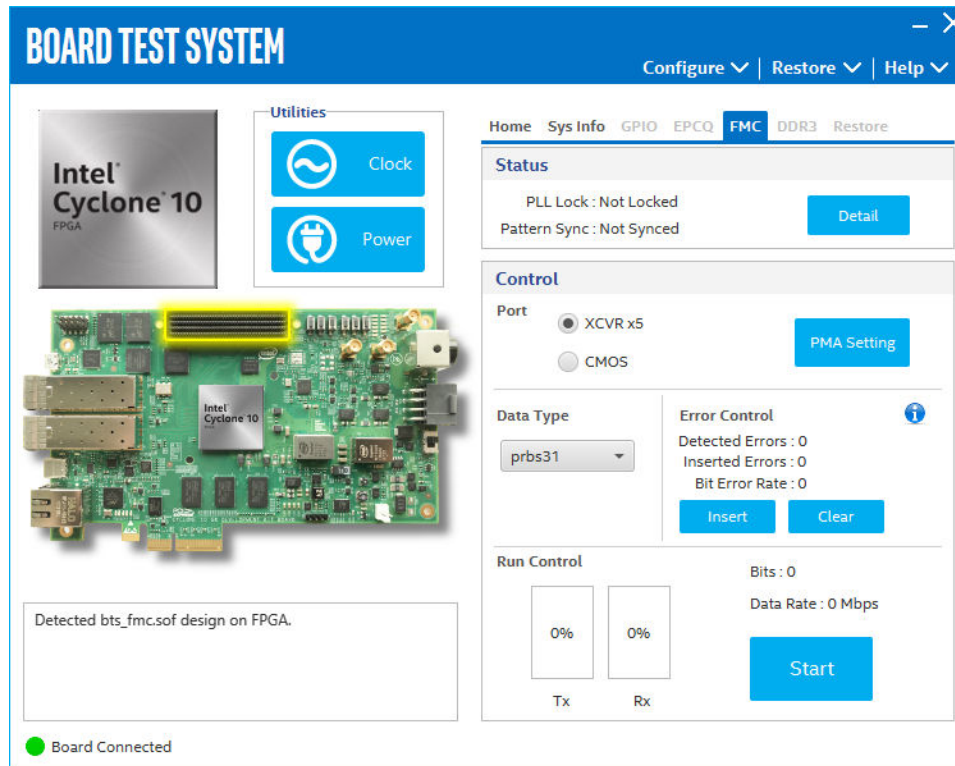
- **Start:** Initiates the selected ports transaction performance analysis.
Note: Always click **Clear** before **Start**.
- **Stop:** Terminates transaction performance analysis.
- **TX and RX performance bars:** Show the percentage of maximum theoretical data rate that the requested transactions are able to achieve.

5.3.6. The FMC Tab

This tab allows you to perform loopback tests on the FMC port.



Figure 16. The FMC Tab



The following sections describe controls in the FMC tab.

Status

Displays the following status information during a loopback test:

- PLL Lock: Shows the PLL locked or unlocked state.
- Pattern Sync: Shows the pattern synced or not synced state. The pattern is considered synced when the start of the data sequence is detected.
- Details: Shows the PLL lock, pattern sync status and number of errors per channel.

Channel	PLL Lock Status	Pattern Sync Status	Errors
0	Locked	Not Synced	0
1	Locked	Not Synced	0
2	Locked	Not Synced	0
3	Locked	Not Synced	0
4	Locked	Not Synced	0

Port

Allows you to specify the interface to test. The following port are available to test:

- XCVR
- CMOS

PMA Settings

Allows you to make changes to the PMA parameters that affect the active transceiver interface. The following settings are available for analysis:

- Serial Loopback: Routes signals between the transmitter and receiver.
- VOD: Specifies the voltage output differential of the transmitter buffer.
- Pre-emphasis tap:
 - 1st pre - Specifies the amount of pre-emphasis on the pre-tap of the transmitter buffer.
 - 2nd pre - Specifies the amount of pre-emphasis on the second pre-tap of the transmitter buffer.
 - 1st post - Specifies the amount of pre-emphasis on the first post tap of the transmitter buffer.
 - 2nd post - Specifies the amount of pre-emphasis on the second post tap of the transmitter buffer.
- Equalizer: Specifies the AC gain setting for the receiver equalizer in four stage mode.
- DC gain: Specifies the DC gain setting for the receiver equalizer in four stage mode.
- VGA: Specifies the VGA gain value.

Figure 17. PMA Settings

	Serial Loopback	Pre-emphasis tap					Equalizer	DC gain	VGA
		VOD	1st Pre	2nd Pre	1st Post	2nd Post			
All CH	<input type="checkbox"/>	31	-3	0	-3	3	6	0	2
Ch0	<input type="checkbox"/>	31	-3	0	-3	3	6	0	2
Ch1	<input type="checkbox"/>	31	-3	0	-3	3	6	0	2
Ch2	<input type="checkbox"/>	31	-3	0	-3	3	6	0	2
Ch3	<input type="checkbox"/>	31	-3	0	-3	3	6	0	2
Ch4	<input type="checkbox"/>	31	-3	0	-3	3	6	0	2

Buttons: Default, OK, Cancel, Apply

Data Type

Specifies the type of data contained in the transactions. The following data types are available for analysis.



- PRBS 7- Selects pseudo-random 7-bit sequences
- PRBS 15- Selects pseudo-random 15-bit sequences
- PRBS 23- Selects pseudo-random 23-bit sequences
- PRBS 31-Selects pseudo-random 31-bit sequences
- high_freq - Selects highest frequency divide-by-2 data pattern 10101010
- low_freq - Selects lowest frequency divide-by-33 data pattern

Error Control

Displays data errors detected during analysis and allows you to insert errors:

- Detected errors - Displays the number of data errors detected in the hardware.
- Inserted errors - Displays the number of errors inserted into the transmit data stream.
- Insert Error - Inserts a one-word error into the transmit data stream each time you click the button. Insert Error is only enabled during transaction performance analysis.
- Clear - Resets the Detected error and Inserted error counters to zeroes.

Run Control

Start - Initiates the selected ports transaction performance analysis.

Note: Always click **Clear** before **Start**

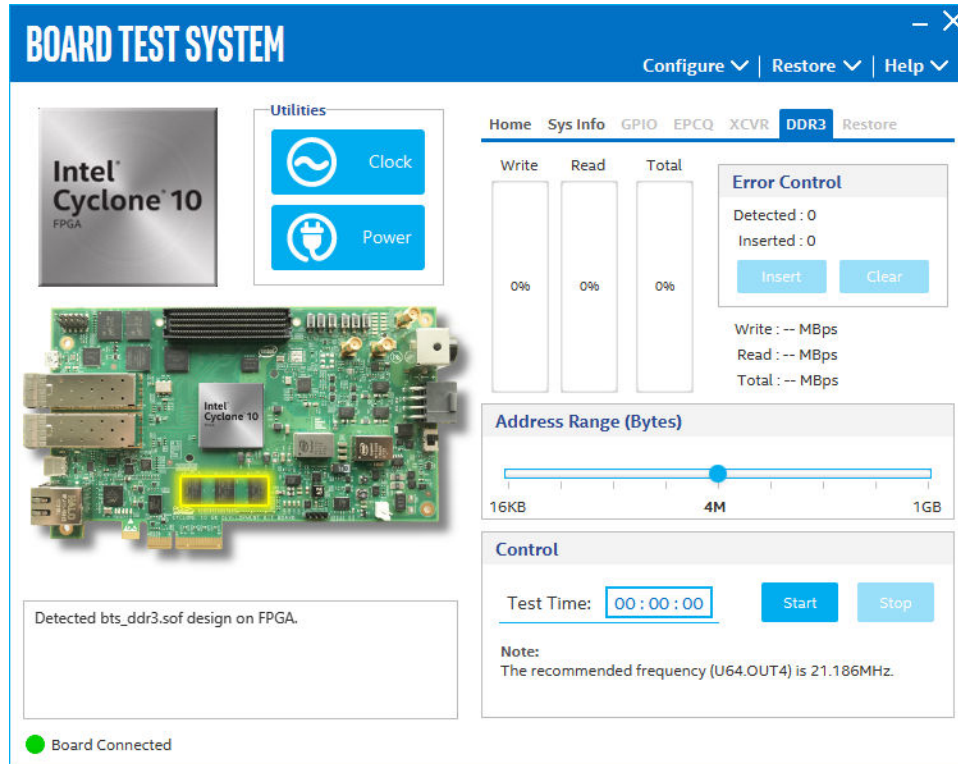
Stop - Terminates transaction performance analysis.

TX and RX performance bars - Shows the percentage of maximum theoretical data rate that the requested transactions are able to achieve.

5.3.7. The DDR3 Tab

This tab allows you to read and write DDR3 memory on your board.

Figure 18. The DDR3 Tab



The following sections describe the controls on the DDR3 tab.

Start

Initiates DDR3 memory transaction performance analysis.

Stop

Terminates transaction performance analysis.

Performance Indicators

These controls display current transaction performance analysis information collected since you last clicked Start:

- **Write, Read and Total performance bars:** Shows the percentage of maximum theoretical data rate that the requested transactions are able to achieve.
- **Write (MBps), Read(MBps) and Total(MBps):** Show the number of bytes of data analyzed per second.

Error Control

This control displays data errors detected during analysis and allows you to insert errors:



- **Detected:** Displays the number of data errors detected in the hardware.
- **Inserted:** Displays the number of errors inserted into the transaction stream.
- **Insert:** Inserts a one-word error into the transaction stream each time you click the button. Insert Error is only enabled during transaction performance analysis.
- **Clear:** Resets the Detected errors and Inserted errors counters to zeroes.

Address Range (Bytes)

Determines the number of bytes to use in each iteration of reads and writes.

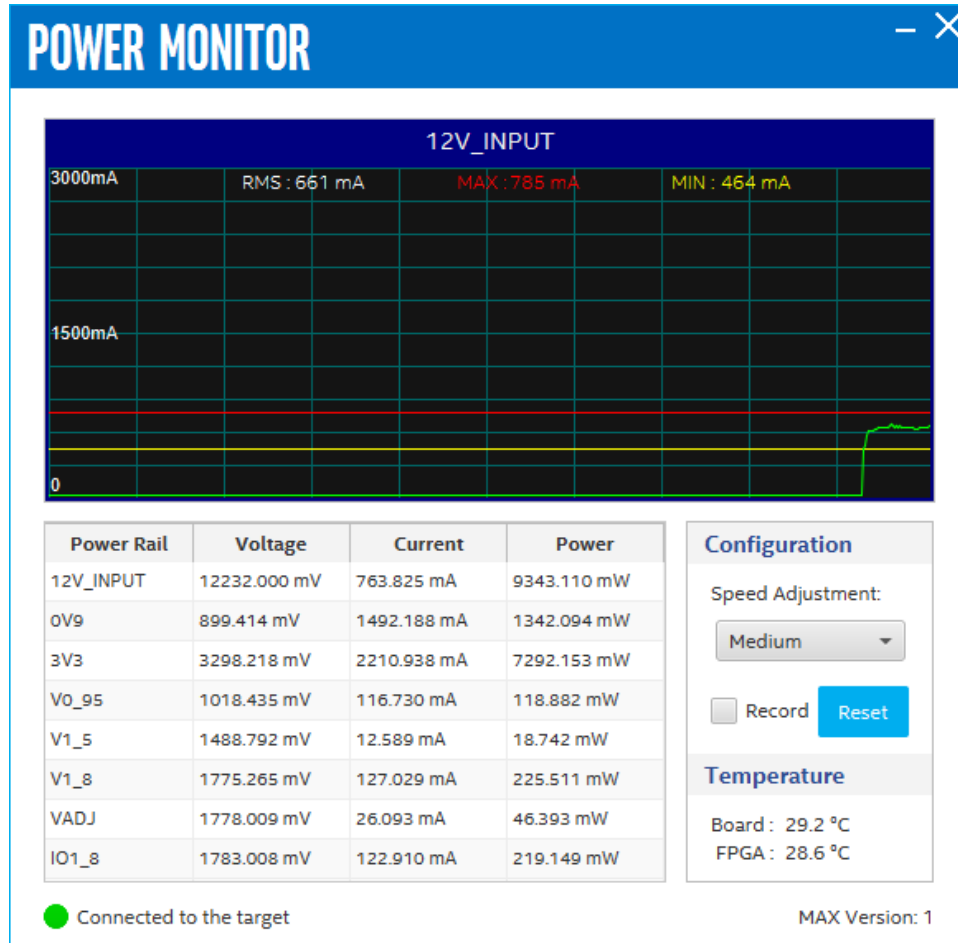
5.3.8. Power Monitor

The Power Monitor measures and reports current power information and communicates with the Intel MAX 10 device on the board through the JTAG bus. A power monitor circuit attached to the Intel MAX 10 device allows you to measure the power that the FPGA is consuming.

To start the application, click the Power Monitor icon in the BTS. You can also run the Power Monitor as a stand-alone application. The `PowerMonitor.exe` resides in the `<package dir>\examples\board_test_system` directory.

Note: You cannot run the stand-alone power application and the BTS simultaneously. Also, you cannot run power and clock interface at the same time.

Figure 19. Power Monitor Interface



The controls on the Power Monitor are described below.

Table 20. Power Monitor GUI

Options	Description
Graph	Displays the mA power consumption of your board over time. The green line indicates the current value. The red line indicates the maximum value read since the last reset. The yellow line indicates the minimum value read since the last reset. It also displays root mean square (RMS) current, maximum and minimum numerical power readings in mA.
Table	Displays real time values of power rails. It refreshes about every 10 seconds. When you click some rail, the power rail will show on the Graph Chart.
Configuration	Speed Adjustment: Specifies how often to refresh the graph. Date Record: Record real time voltage, current and power values, and save to a log file.
Reset	Clears the graph, resets the minimum and maximum values and restarts the Power Monitor.
Temperature	Displays the temperature of the FPGA and the development kit.



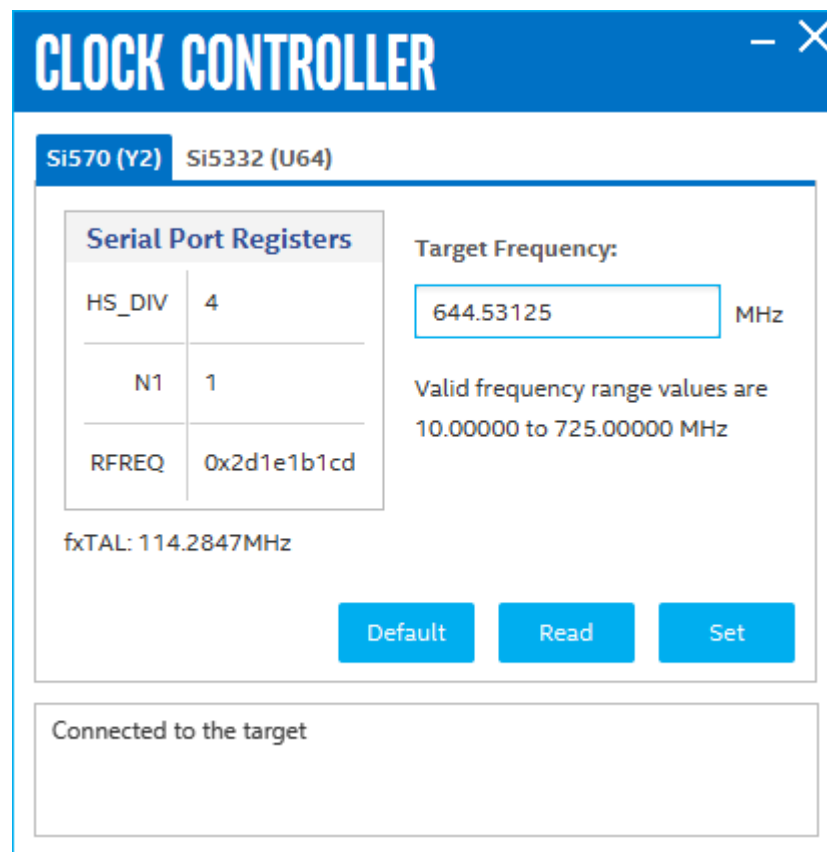
5.3.9. Clock Controller

The Clock Controller application sets the Si5332 programmable oscillators to any frequency between 5 MHz and 312.5 MHz differential.

The Clock Controller application sets the Si570 programmable oscillators to any frequency between 10 MHz and 725 MHz.

The Clock Control communicates with the Intel MAX 10 on the board through the JTAG bus. The programmable oscillator are connected to the Intel MAX 10 device through a 2-wire serial bus.

Figure 20. Clock Controller - Si570



Serial Port Registers

Shows the current values from the Si570 registers for frequency configuration.

Target Frequency (MHz)

Allows you to specify the frequency of the clock. Legal values are between 10 MHz and 725 MHz with eight digits of precision to the right of the decimal point. For example, 421.31259873 is possible within 100 parts per million (ppm). The **Target Frequency** control works in conjunction with the **Set** control.

fXTAL

Shows the calculated internal fixed-frequency crystal based on the serial port register values.

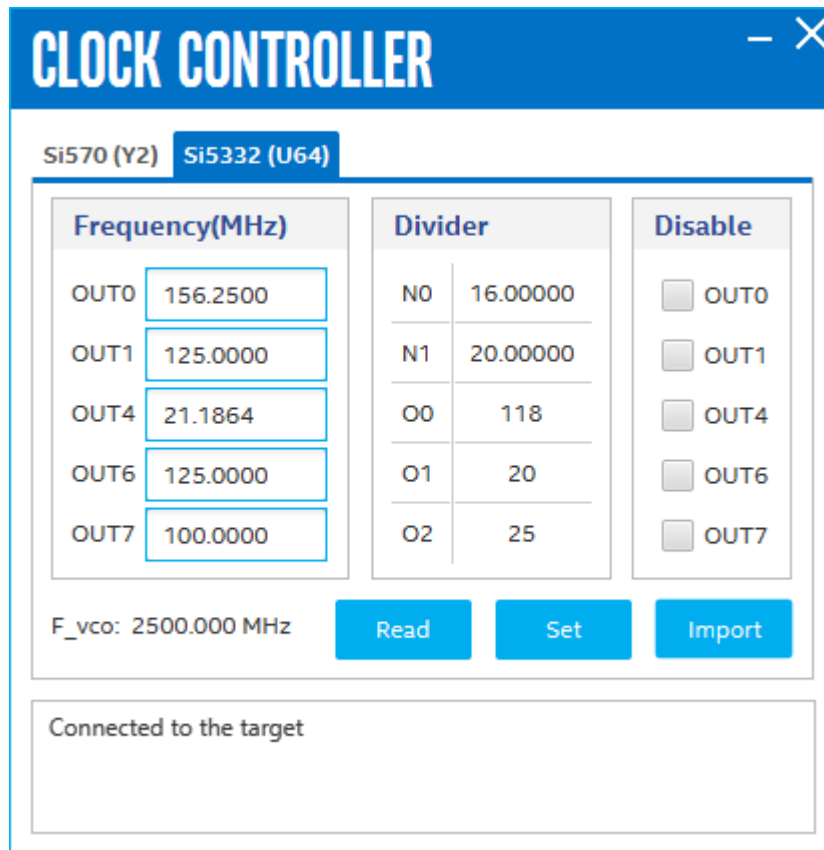
Default

Sets the frequency for the oscillator associated with the active tab back to its default value. This can also be accomplished by power cycling the board.

Set

Sets the programmable oscillator frequency for the selected clock to the value in the **Target Frequency** control for the programmable oscillators. Frequency changes might take several milliseconds to take effect. You might see glitches on the clock during this period. Intel recommends resetting the FPGA logic after changing frequencies.

Figure 21. Clock Controller - Si5332



Si5332 tab displays the same GUI controls for each clock generators. The Si5332 is a high-performance, low-jitter clock generator capable of synthesizing five independent banks for user-programmable clock frequencies up to 312.5 MHz.



Note: Currently, only OUT0 and OUT1 can support fractional synthesis output for this board. If you want to change the divider setting, you should use Silicon Laboratories' ClockBuilder tool to generate the register map and use import function on this application.

The controls of the clock controller are described below:

F_vco

Displays the generating signal value of the voltage-controlled oscillator.

Frequency

Allows you to specify the frequency of the clock MHz.

Divider

Display the divider mode and value currently being used on this board.

Disable

Allows you to disable a single output.

Read

Reads the current frequency setting for the oscillator.

Set

Sets the programmable oscillator frequency for the selected clock to the value in OUT0, OUT1, OUT4, OUT6 and OUT7 controls for the Si5332. Frequency changes might take several milliseconds to take effect. You might see glitches on the clock during this period. Intel recommends resetting the FPGA logic after changing frequencies.

Import

Import register map file generated from Silicon Laboratories ClockBuilder Desktop.



A. Additional Information

A.1. Safety and Regulatory Information



ENGINEERING DEVELOPMENT PRODUCT - NOT FOR RESALE OR LEASE

This development kit is intended for laboratory development and engineering use only.

This development kit is designed to allow:

- Product developers and system engineers to evaluate electronic components, circuits, or software associated with the development kit to determine whether to incorporate such items in a finished product.
- Software developers to write software applications for use with the end product.

This kit is not a finished product and when assembled may not be resold or otherwise marketed unless all required Federal Communications Commission (FCC) equipment authorizations are first obtained.

Operation is subject to the condition that this product not cause harmful interference to licensed radio stations and that this product accept harmful interference.

Unless the assembled kit is designed to operate under Part 15, Part 18 or Part 95 of the United States Code of Federal Regulations (CFR) Title 47, the operator of the kit must operate under the authority of an FCC licenseholder or must secure an experimental authorization under Part 5 of the United States CFR Title 47.

Safety Assessment and CE mark requirements have been completed, however, other certifications that may be required for installation and operation in your region have not been obtained.



A.1.1. Safety Warnings





Power Supply Hazardous Voltage

AC mains voltages are present within the power supply assembly. No user serviceable parts are present inside the power supply.


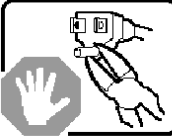
Power Connect and Disconnect

The AC power supply cord is the primary disconnect device from mains (AC power) and used to remove all DC power from the board/system. The socket outlet must be installed near the equipment and must be readily accessible.

	WARNING	
RISK OF ELECTRIC SHOCK		
Connect only to a properly earth grounded outlet. Apparaten skall anslutas till jordat uttag när den ansluts till ett nätverk.		

System Grounding (Earthing)

To avoid shock, you must ensure that the power cord is connected to a properly wired and grounded receptacle. Ensure that any equipment to which this product will be attached is also connected to properly wired and grounded receptacles.

	WARNING	
RISK OF ELECTRIC SHOCK		
Do not attempt to modify or use the supplied AC power cord if it is not the exact type and rating required.		

Power Cord Requirements

The connector that plugs into the wall outlet must be a grounding-type male plug designed for use in your region. It must have marks showing certification by an agency in your region. The connector that plugs into the AC receptacle on the power supply must be an IEC 320, sheet C13, female connector. If the power cord supplied with the system does not meet requirements for use in your region, discard the cord and do not use it with adapters.




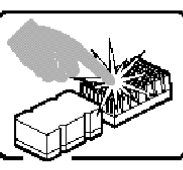
Lightning/Electrical Storm

Do not connect/disconnect any cables or perform installation/maintenance of this product during an electrical storm.

Risk of Fire

To reduce the risk of fire, keep all flammable materials a safe distance away from the boards and power supply. You must configure the development kit on a flame retardant surface.

A.1.2. Safety Cautions

	<h3>CAUTION</h3>	
	Hot Surfaces and Sharp Edges	
<p>Integrated Circuits and heat sinks may be hot if the system has been running. Also, there might be sharp pins and edges on some boards. Contact should be avoided.</p>		

Caution: Hot Surfaces and Sharp Edges. Integrated Circuits and heat sinks may be hot if the system has been running. Also, there might be sharp edges on some boards. Contact should be avoided.

Thermal and Mechanical Injury

Certain components such as heat sinks, power regulators, and processors may be hot. Heatsink fans are not guarded. Power supply fan may be accessible through guard. Care should be taken to avoid contact with these components.



Cooling Requirements

Maintain a minimum clearance area of 5 centimeters (2 inches) around the side, front and back of the board for cooling purposes. Do not block power supply ventilation holes and fan.

Electro-Magnetic Interference (EMI)

This equipment has not been tested for compliance with emission limits of FCC and similar international regulations. Use of this equipment in a residential location is prohibited. This equipment generates, uses and can radiate radio frequency energy which may result in harmful interference to radio communications. If this equipment does cause harmful interference to radio or television reception, which can be determined by turning the equipment on and off, the user is required to take measures to eliminate this interference.

Telecommunications Port Restrictions

The wireline telecommunications ports (modem, xDSL, T1/E1) on this product must not be connected to the Public Switched Telecommunication Network (PSTN) as it might result in disruption of the network. No formal telecommunication certification to FCC, R&TTE Directive, or other national requirements have been obtained.



Electrostatic Discharge (ESD) Warning

A properly grounded ESD wrist strap must be worn during operation/installation of the boards, connection of cables, or during installation or removal of daughter cards. Failure to use wrist straps can damage components within the system.

Attention: Please return this product to Intel for proper disposition. If it is not returned, refer to local environmental regulations for proper recycling. Do not dispose of this product in unsorted municipal waste.

A.2. Compliance and Conformity Statements

CE EMI Conformity Caution

This development board is delivered conforming to relevant standards mandated by Directive 2014/30/EU. Because of the nature of programmable logic devices, it is possible for the user to modify the development kit in such a way as to generate electromagnetic interference (EMI) that exceeds the limits established for this equipment. Any EMI caused as a result of modifications to the delivered material is the responsibility of the user of this development kit.





B. Revision History

B.1. Document Revision History for Intel Cyclone 10 GX FPGA Development Kit User Guide

Document Version	Changes
2018.08.15	Updated LEDs on page 25. The D19, D20, D21, D22 board reference function updated to '1 to light, output from FPGA'.
2018.03.06	In Default Switch and Jumper Settings on page 10, updated value for S3.1 in DIP Switch Settings table to OPEN/OFF/1 In Switches on page 23, in DIP Switch Settings table, updated default value of S3.1 to 1. Changed values in S3 description to 01 - Internal Oscillator. Set to 01 by default.
2017.12.18	Initial release.

Intel Corporation. All rights reserved. Intel, the Intel logo, Altera, Arria, Cyclone, Enpirion, MAX, Nios, Quartus and Stratix words and logos are trademarks of Intel Corporation or its subsidiaries in the U.S. and/or other countries. Intel warrants performance of its FPGA and semiconductor products to current specifications in accordance with Intel's standard warranty, but reserves the right to make changes to any products and services at any time without notice. Intel assumes no responsibility or liability arising out of the application or use of any information, product, or service described herein except as expressly agreed to in writing by Intel. Intel customers are advised to obtain the latest version of device specifications before relying on any published information and before placing orders for products or services.

*Other names and brands may be claimed as the property of others.

ISO
9001:2015
Registered