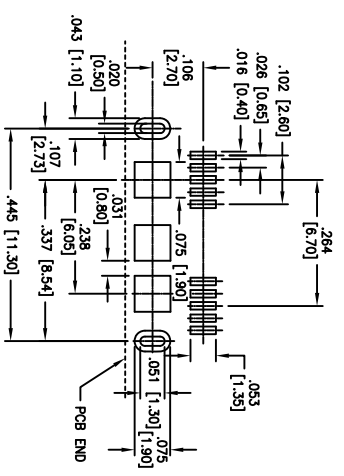
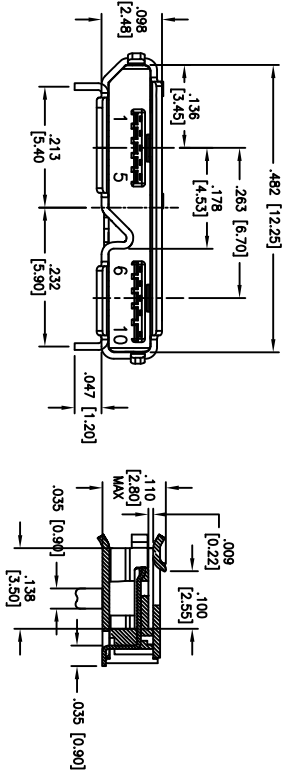
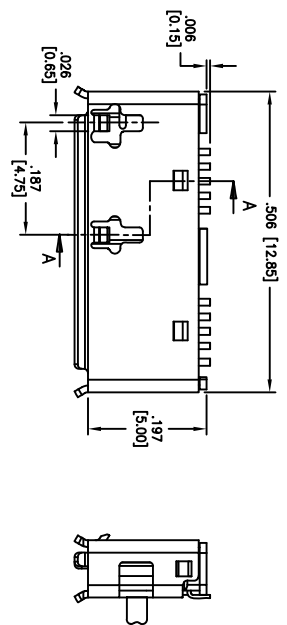


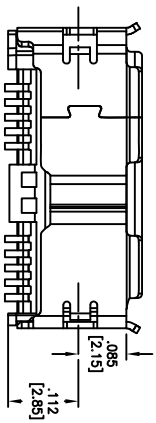
Rev	AWO #	Description	Date	Appr
-		RELEASED	12/3/10	

APPROVED: _____
 DATE: _____ TITLE: _____



Pin Number	Signal Name
1	VCC
2	D-
3	D+
4	TD
5	GN
6	NC
7	NC
8	GN
9	NC
10	NC

RECOMMENDED PCB LAYOUT



SPECIFICATIONS:

Material:
 Insulator: Hi-Temp Thermoplastic, rated UL 94V-0
 Insulator color: Black
 Contacts: Brass
 Shell: Stainless Steel, Gold Flash plated on the soldering tab
 Plating:
 Gold flash over Nickel underplate overall
Electrical:
 Operating voltage: 30 VAC max.
 Current rating: 1 Amp max.
 Contact resistance: 50 mohms max.
 Insulation resistance: 100 Mohms min. @ 500 VDC
 Dielectric withstanding voltage: 250 VAC for 1 minute
 Temperature Rating:
 Operating temperature: -20°C to +85°C
 Environmental:
 Lead free, RoHS compliant.
 Recommended soldering temp: 260°C for 5 sec.

ADAM TECH

909 Railway Avenue, Union, NJ 07083
 Phone: 908-687-5000 Fax: 908-687-5710

MICRO USB 3.0 B TYPE, 10PIN, SMT, DIP SHELL

UNLESS OTHERWISE SPECIFIED ALL DIMENSIONS ARE INCHES [MM] TOLERANCES: EXCEPT AS NOTED INCHES		Holes		DATE	
.X	± .10	ØXX	± .10		
.XX	± .020	ØXXX	± .015		
.XXX	± .015	ØXXXX	± .010		
DRAWN AY		12/3/10		TITLE	
CHECKED AH		12/3/10		PART NO.	
APPROVED				MCR-B3-RA-SMT	
		REF: S0042C		SCALE: NTS	
				SHEET 1 OF 4	