

**PLEASE CHECK WWW.MOLEX.COM FOR LATEST PART INFORMATION**

**Part Number:** [0366640001](#)  
**Status:** **Active**  
**Overview:** [mlx](#)  
**Description:** MLX Crimp Terminal 42024, 10-12 AWG, Reel, Tin (Sn)

**Documents:**

[Drawing \(PDF\)](#) [RoHS Certificate of Compliance \(PDF\)](#)  
[Product Specification PS-36663-001 \(PDF\)](#)

**General**

Product Family	Crimp Terminals
Series	36664
Crimp Quality Equipment	Yes
Overview	<a href="#">mlx</a>
Product Name	MLX™

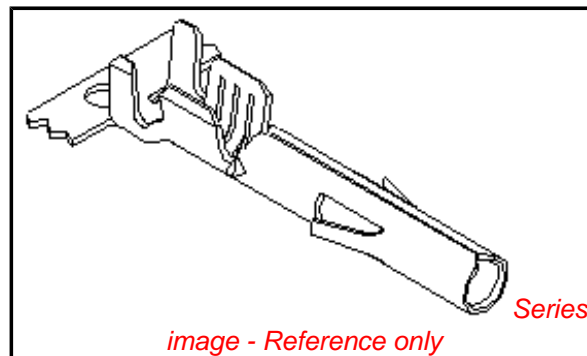
**Physical**

Gender	Female
Material - Metal	Brass
Material - Plating Mating	Tin
Material - Plating Termination	Tin
Packaging Type	Reel
Plating min: Mating (µin)	20
Plating min: Mating (µm)	0.50
Plating min: Termination (µin)	20
Plating min: Termination (µm)	0.50
Termination Interface: Style	Crimp or Compression
Wire Insulation Diameter	5.08mm (.200") max.
Wire Size AWG	10, 12
Wire Size mm²	3.30, 5.25

**Material Info**

**Reference - Drawing Numbers**

Product Specification	PS-36663-001
Sales Drawing	SD-36664-001



*image - Reference only*

**EU RoHS**

**ELV and RoHS  
Compliant**  
**REACH SVHC  
Contains SVHC: No**  
**Halogen-Free  
Status  
Halogen-Free**

**China RoHS**



**Need more information on product  
environmental compliance?**

Email [productcompliance@molex.com](mailto:productcompliance@molex.com)  
 For a multiple part number RoHS Certificate of Compliance, [click here](#)

Please visit the [Contact Us](#) section for any non-product compliance questions.

**Search Parts in this Series**

[36664Series](#)

**Use With**

[42021 Housing](#)

**Application Tooling | FAQ**

*Tooling specifications and manuals are found by selecting the products below. Crimp Height Specifications are then contained in the Application Tooling Specification document.*

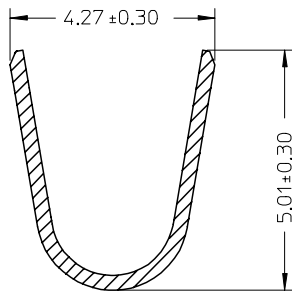
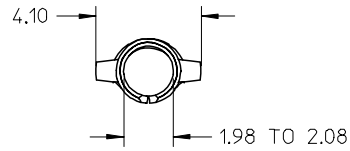
**Global**

Description	Product #
Hand Crimp Tool	<a href="#">0638114700</a>
Mini-Mac™ Applicator	<a href="#">0638325200</a>
T2 Terminator Die	<a href="#">0638584000</a>

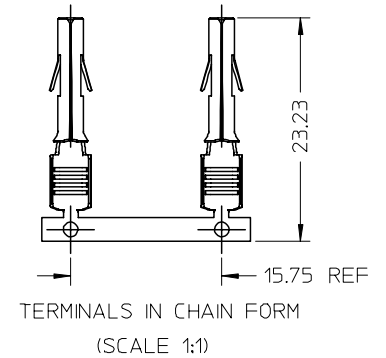
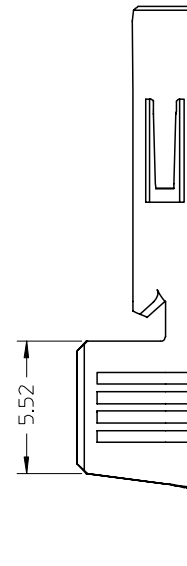
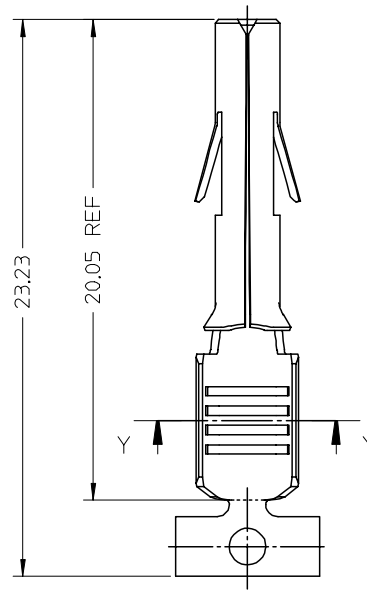
36664

MATERIAL No.	FINISH	WIRE SIZE	INSULATION DIA	PACKAGING
36664-0001	SEE NOTE 2	10-12AWG	5.08 MAX	REEL
36664-0002	SEE NOTE 2	10-12AWG	5.08 MAX	LOOSE

- NOTE:
- MATERIAL : BRASS
  - FINISH : HOT TIN DIP, THICKNESS 0.51 MICROMETER MIN
  - SOCKET TERMINALS FOR USE WITH THE .084/(2.13) SERIES HOUSINGS  
PLUG (42021-\*\*)   
CAP (42022-\*\*)   
SOCKET TERMINAL TO MATE WITH PIN TERMINALS OF .084/(2.13) DIA SERIES
  - CRIMP RANGE : SEE CHART
  - PRODUCT SPECIFICATION : PS-36663-001 APPLIES



SECTION Y  
(SCALE 10:1)



EC NO: 12005-0004 DRWN: SSUDHIR 2004/07/07 CHKD: DGDATHA 2004/07/07 APPR: DGDATHA 2004/07/08	QUALITY SYMBOLS ▽ = 0 ▽ = 0	GENERAL TOLERANCES (UNLESS SPECIFIED)		SCALE 5:1	DESIGN UNITS METRIC	THIRD ANGLE PROJECTION	REVISE ON CAD ONLY	
		4 PLACES ± --- ± --- 3 PLACES ± --- ± --- 2 PLACES ± 0.25 ± --- 1 PLACE ± 0.38 ± ---	DIMENSION STYLE MM ONLY	TITLE STAMP PART BRASS TERMINAL SOCKET MLX 10-12AWG 5.08 INS DIA				
		ANGULAR ± 2 °		DRAWN BY SSUDHIR	DATE 2004/07/01	MOLEX INCORPORATED		
		DRAFT WHERE APPLICABLE MUST REMAIN WITHIN DIMENSIONS		CHECKED BY DGDATHA	DATE 2004/07/01	MATERIAL NO. SEE CHART	DOCUMENT NO. SD-36664-001	SHEET NO. 1 OF 1
THIS DRAWING CONTAINS INFORMATION THAT IS PROPRIETARY TO MOLEX INCORPORATED AND SHOULD NOT BE USED WITHOUT WRITTEN PERMISSION								