

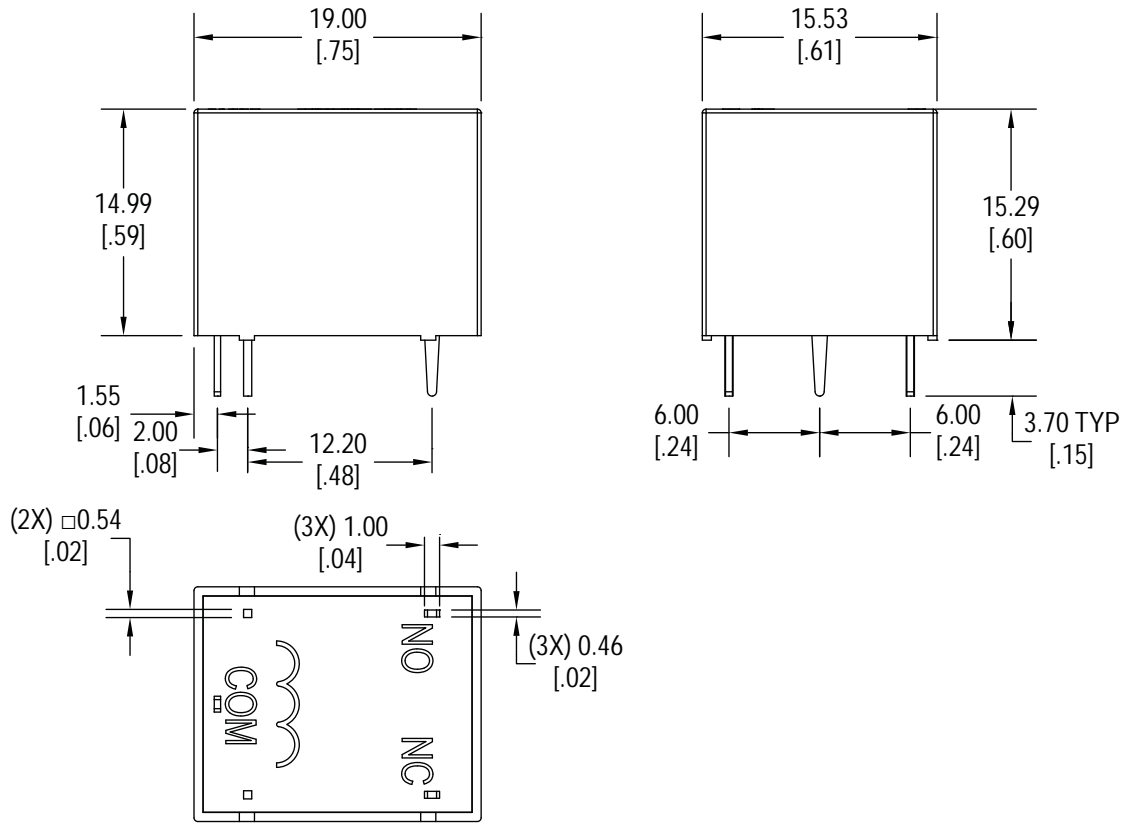
J107F

Ordering Information

1. Series	J107F	1C	S	12	12VDC	.36
J107F						
2. Contact Arrangement	1A = SPST N.O. 1B = SPST N.C. 1C = SPDT					
3. Sealing Option	S = Sealed					
4. Contact Rating	12 = 12A 15 = 15A 20 = 20A (20Amp available in .45 or .80 watt coil only)					
5. Coil Voltage	3VDC 5VDC 9VDC 12VDC 24VDC 48VDC					
6. Coil Power	.36 = .36W .45 = .45W .80 = .80W					

Dimensions

Units = mm



Schematics & PC Layouts

Bottom Views

