



FEATURES

- SMALLEST AVAILABLE SMD-CRYSTAL IN CERAMIC PACKAGE
- HIGH RELIABILITY FOR LOW COST
- LOW PROFILE - 0.6 MM MAX. PACKAGE HEIGHT
- EXTENDED TEMPERATURE RANGE TO -40/+125°C AVAILABLE
- DESIGNED FOR THE USE IN MOBILE COMMUNICATION, AUTOMOTIVE, ETC.
- TIGHT TOLERANCES AND STABILITIES AVAILABLE

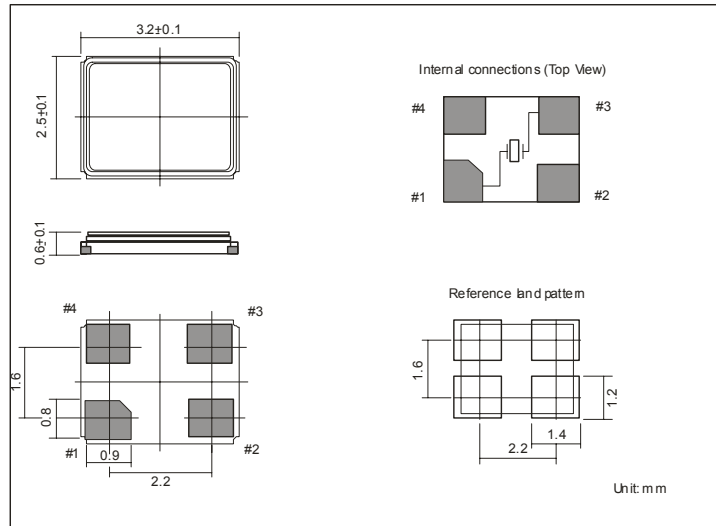
MINI-SMD-CRYSTAL SERIES	SMD03025/4	
FREQUENCY RANGE	12.0 ~ 50.0 MHz (AT-FUNDAMENTAL)	
STANDARD FREQUENCIES IN MHz	12.000 / 13.000 / 14.7456 / 16.000 / 16.384 / 19.200 20.000 / 25.000 / 26.000 / 27.000 / 30.000 / 36.000 40.000 / 48.000 / 50.000 MHz	
RESONANCE RESISTANCE	12 MHz = <100 Ω / 13 - 19.2 MHz = <80 Ω / 20 - 48 MHz = <50 Ω	
FREQUENCY TOLERANCE AT 25°C	+5 ppm ~ +50 ppm	
TEMPERATURE RANGE	0/+50°C ~ -40/+125°C	
TEMPERATURE STABILITY	+3 ppm	0/+50°C
	+5 ppm	0/+50°C / -10/+60°C / -20/+70°C
	+10 ppm	0/+50°C / -10/+60°C / 0/+70°C / -20/+70°C / -40/+85°C
	+15 ppm	0/+50°C / -10/+60°C / 0/+70°C / -20/+70°C / -40/+85°C
	+20 ppm	0/+50°C / -10/+60°C / 0/+70°C / -20/+70°C / -40/+85°C
	+30 ppm	0/+50°C / -10/+60°C / 0/+70°C / -20/+70°C / -40/+85°C
	+50 ppm	0/+50°C / -10/+60°C / 0/+70°C / -20/+70°C / -40/+85°C / -40/+125°C
LOAD CAPACITANCE	6 ~ 50 pF or Series	
SHUNT CAPACITANCE	7 pF max.	
DRIVE LEVEL	0.01 mW ~ 0.1 mW (optional 1.0 mW available)	
AGING	+2 ppm per year (optional +1 ppm available)	
INSULATION RESISTANCE	>500 MΩ DC/100V +10%	
STORAGE TEMPERATURE	-55/+125°C	
PACKAGE	Tape and Reel (1.000 pcs per reel)	
OTHER PARAMETERS ARE AVAILABLE ON REQUEST / CREATE HERE YOUR SPECIFICATION		

PART NUMBERING SYSTEM

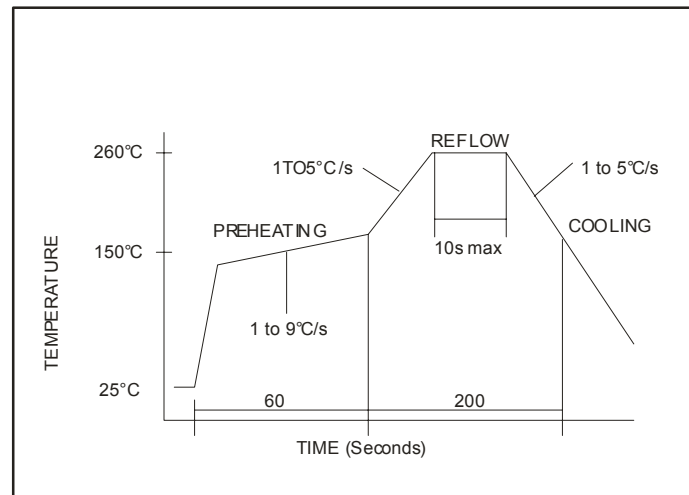
EXAMPLE	SMD03025/4 26.000 MHz 10/10/0+70/12pF
----------------	---------------------------------------

TYPE	SMD03025/4
FREQUENCY	IN MHZ
FREQUENCY TOLERANCE AT 25°C	REQUIRED VALUE
TEMPERATURE STABILITY	REQUIRED VALUE
TEMPERATURE RANGE	REQUIRED VALUE
LOAD CAPACITANCE	REQUIRED VALUE

OUTLINE DRAWING OF SMD03025/4



REFLOW SOLDER PROFILE



Crystals can be soldered according to the norm JEDEC J-STD-020C.

REEL SPECIFICATION

