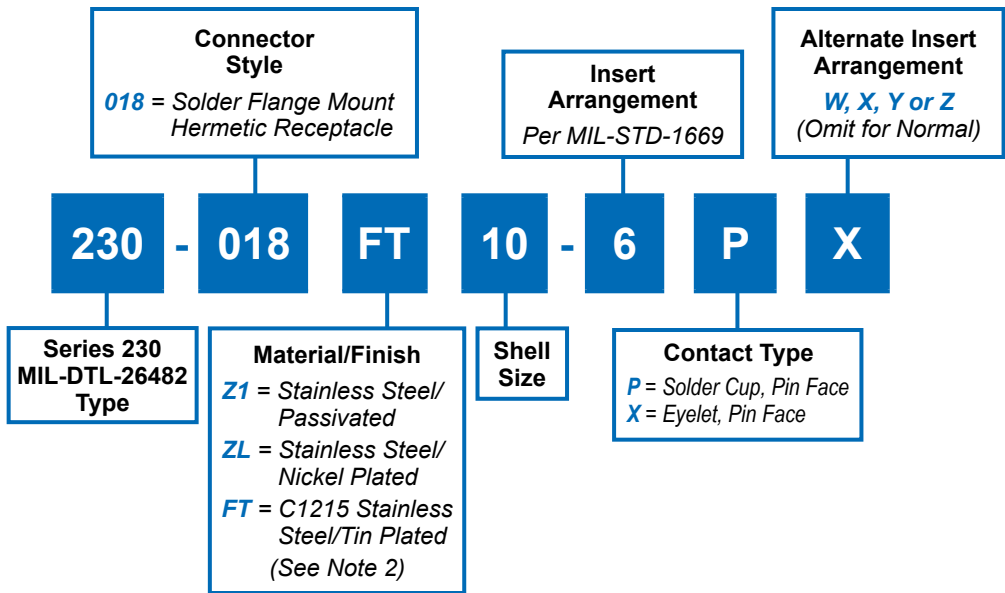
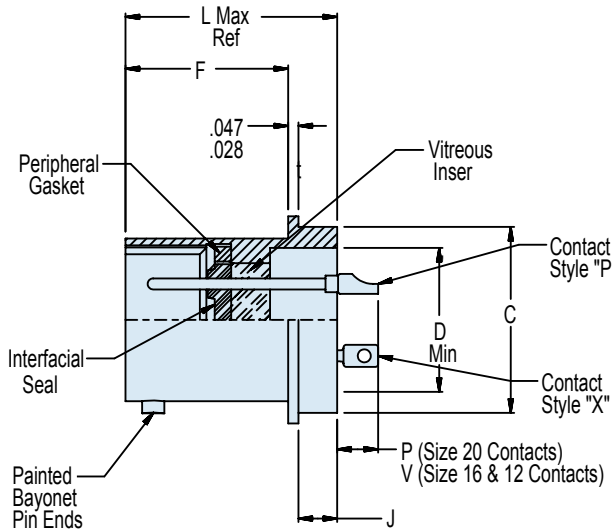
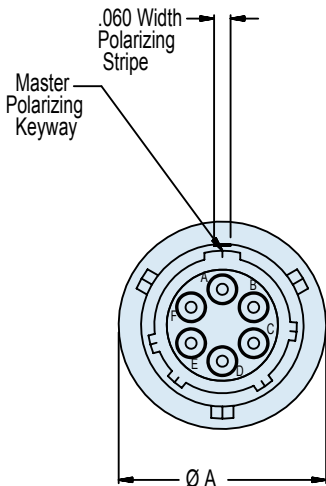




230-018
MIL-DTL-26482 Series II Type Hermetic
Bayonet Coupling Solder Flange Mount Receptacle
MS3443 Type



D



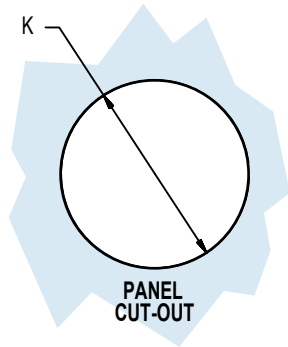
APPLICATION NOTES

- To be identified with manufacturer's name, part number and date code, space permitting.
- Material/Finish:
 Shell: Z1 - 304L stainless steel/passivate.
 FT - C1215 stainless steel/tin plated.
 Titanium and Inconel® available. Consult factory.
 Contacts - 52 Nickel alloy/gold plate.
 Bayonets - Stainless steel/passivate.
 Seals - Silicone elastomer/N.A.
 Insulation - Glass/N.A.
- Consult factory and/or MIL-STD-1669 for arrangement and insert position options.
- Glenair 230-018 will mate with any QPL MIL-DTL-26482 Series II bayonet coupling plug of same size and insert polarization.
- Performance:
 Hermeticity - $<1 \times 10^{-7}$ cc/sec @ 1 atm differential.
 Dielectric withstanding voltage - Consult factory or MIL-STD-1669.
 Insulation resistance - 5000 megohms min @500VDC.
- Metric Dimensions (mm) are indicated in parentheses.

230-018
MIL-DTL-26482 Series II Type Hermetic
Bayonet Coupling Solder Flange Mount Receptacle
MS3449 Type



MIL-DTL
26482 Type



HERMETIC LEAK RATE MOD CODES	
Designator	Required Leak Rate
-585A	1 x 10 ⁻¹⁰ cc's Helium per second
-585B	1 x 10 ⁻⁹ cc's Helium per second
-585C	1 x 10 ⁻⁸ cc's Helium per second

D

TABLE I: CONNECTOR AND CUT-OUT DIMENSIONS

Shell Size	A Dia ± .010 (0.3)	C Dia Mounting Locator	D Dia Min	F	J	K	L	P	V	Max Weight (Lbs.)
8	.625 (15.9)	.563/.557 (14.3/14.1)	.403 (10.2)	.598/.578 (15.2/14.7)	.156/.116 (4.0/2.9)	.570 (14.5)	.801 (20.3)	.178/.118 (4.5/3.0)	.248/.188 (6.3/4.8)	.0310
10	1.141 (29.0)	.673/.667 (17.1/16.9)	.515 (13.1)	.598/.578 (15.2/14.7)	.156/.116 (4.0/2.9)	.680 (17.3)	.801 (20.3)	.178/.118 (4.5/3.0)	.248/.188 (6.3/4.8)	.0340
12	1.266 (32.2)	.782/.776 (19.9/19.7)	.630 (16.0)	.598/.578 (15.2/14.7)	.156/.116 (4.0/2.9)	.789 (20.0)	.801 (20.3)	.178/.118 (4.5/3.0)	.248/.188 (6.3/4.8)	.0400
14	1.360 (34.5)	.907/.901 (23.0/22.9)	.755 (19.2)	.598/.578 (15.2/14.7)	.156/.116 (4.0/2.9)	.914 (23.2)	.801 (20.3)	.178/.118 (4.5/3.0)	.248/.188 (6.3/4.8)	.0510
16	1.453 (36.9)	1.032/1.026 (26.2/26.1)	.880 (22.4)	.598/.578 (15.2/14.7)	.156/.116 (4.0/2.9)	1.039 (26.4)	.801 (20.3)	.178/.118 (4.5/3.0)	.248/.188 (6.3/4.8)	.0620
18	1.532 (38.9)	1.157/1.151 (29.4/29.2)	.980 (24.9)	.598/.578 (15.2/14.7)	.156/.116 (4.0/2.9)	1.164 (29.6)	.801 (20.3)	.178/.118 (4.5/3.0)	.248/.188 (6.3/4.8)	.0820
20	1.688 (42.9)	1.251/1.245 (31.8/31.6)	1.105 (28.1)	.660/.640 (16.8/16.3)	.156/.116 (4.0/2.9)	1.258 (32.0)	.863 (21.9)	.178/.118 (4.5/3.0)	.248/.188 (6.3/4.8)	.1000
22	1.766 (44.9)	1.376/1.371 (35.0/34.8)	1.230 (31.2)	.660/.640 (16.8/16.3)	.188/.148 (4.8/3.8)	1.383 (35.1)	.895 (22.7)	.146/.086 (3.7/2.2)	.216/.156 (5.5/4.0)	.1150
24	1.891 (48.0)	1.501/1.495 (38.1/38.0)	1.385 (35.2)	.660/.640 (16.8/16.3)	.188/.148 (4.8/3.8)	1.508 (38.3)	.895 (22.7)	.146/.086 (3.7/2.2)	.216/.156 (5.5/4.0)	.2680