

| BOM LIST | | | |
|----------|----------------|------|---------|
| ITEM | PART NAME | Q'ty | NOTES |
| 1 | PLASTIC HOOD | 2 | SEE P/N |
| 2 | 2.1 LONG BOLT | 2 | #4-40 |
| | 2.2 SHORT BOLT | 2 | #4-40 |
| 3 | NUT | 2 | M3 |
| 4 | LONG SCREW | 2 | M3 |
| 5 | SMALL WASHER | 2 | M3 |
| 6 | SHORT SCREW | 2 | M3 |
| 7 | METAL WASHER | 2 | M3 |

| REV. | DESCRIPTION | DRAWN | CHECKED | APPROVED |
|------|-----------------|---------------|---------|---------------|
| A | NEW RELEASE | LJH 08/13/05' | ~ | LJC 08/13/05' |
| C | 整理英制短螺丝尺寸 | YCH 07/18/08' | ~ | LJC 07/18/08' |
| D | 增加“全包装”类型 | YCH 05/20/10' | ~ | LJC 05/20/10' |
| E | 改M3*12的螺钉为M3*10 | YCH 08/30/10' | ~ | LJC 08/30/10' |
| F | ADD P/N CODE | LJC 12/24/13' | ~ | LJC 12/24/13' |
| J | DRAWING UPDATE | JLZ 05/19/16' | ~ | |

NOTES:

1. Hardwares are all Nickel plated.

2. PART NUMBER CODE:

DS1045 - 09 X X X X X - X

Hood Materials (H)

A: ABS
B: Similar ABS

Washer type
1: Metal

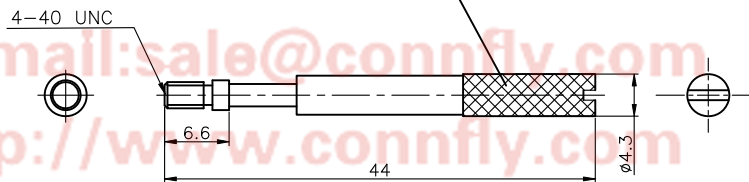
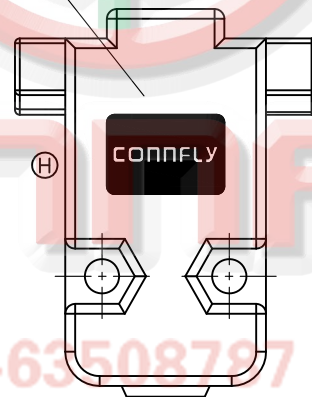
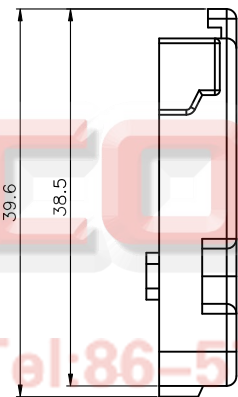
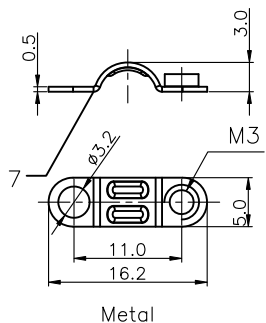
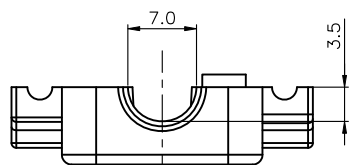
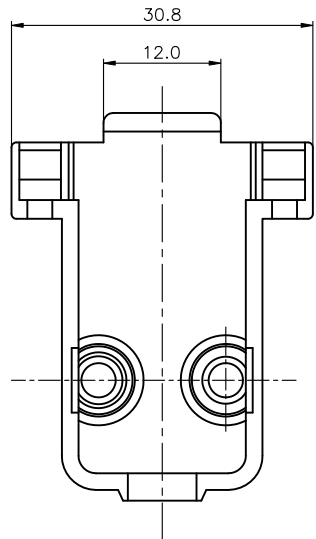
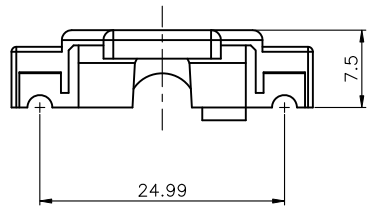
Bolt type
L: Long
S: Short

Packing type
1: Mix packing
Q: Full packing

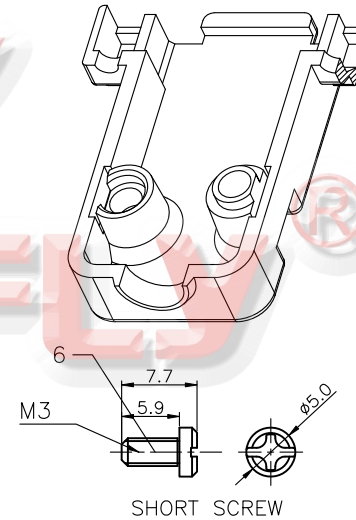
Cover Material
P: Plastic(ABS)
Cover Color

A: Gray
B: Black
V: Ivory

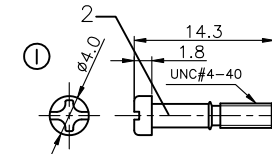
Position
09: 9pin



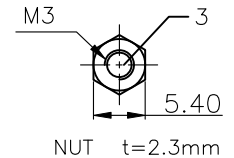
Long BOLT



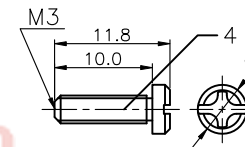
SHORT SCREW



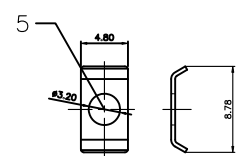
Short BOLT



NUT t=2.3mm



LONG SCREW



SMALL WASHER

| GENERAL TOLERANCE | | ANGLE TOLERANCE | |
|-------------------|-------|-----------------|-----|
| X. | ±0.60 | X. | ±5° |
| .X | ±0.38 | .X | ±3° |
| .XX | ±0.25 | .XX | ±2° |

| PROJECTION | TITLE | D-SUB Plastic Hood 180° 9 Positions | |
|------------|-------|--|---------------|
| UNITS | mm | | |
| SHEET SIZE | A4 | SERIES | DS1045 SERIES |

| DRAWING TYPE | COSTOMER | | |
|--------------|----------------------|-------|--------|
| SCALE | 1:1 | SHEET | 1 OF 1 |
| DRAWING NO. | C-DS1045-09XXXXX-X-J | | |

CONNFLY 晨翔电子有限公司
CONNFLY ELECTRONIC CO., LTD

Tel:86-574-63508797

Fax:86-574-63510817

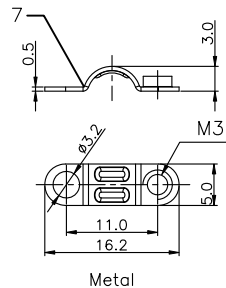
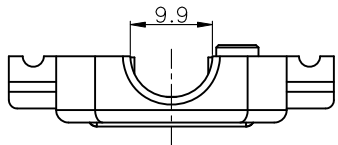
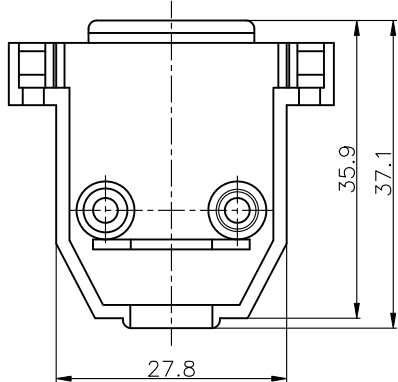
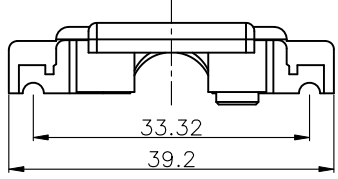
E-mail:sale@connfly.com

http://www.connfly.com

Add:East Industry Zone KuangYan

Town Civi Ningbo China

P.C:315333



| BOM LIST | | | |
|----------|----------------|------|---------|
| ITEM | PART NAME | Q'ty | NOTES |
| 1 | PLASTIC HOOD | 2 | SEE P/N |
| 2 | 2.1 LONG BOLT | 2 | #4-40 |
| | 2.2 SHORT BOLT | 2 | #4-40 |
| 3 | NUT | 2 | M3 |
| 4 | LONG SCREW | 2 | M3 |
| 5 | SMALL WASHER | 2 | M3 |
| 6 | SHORT SCREW | 2 | M3 |
| 7 | METAL WASHER | 2 | M3 |

| REV. | DESCRIPTION | DRAWN | CHECKED | APPROVED |
|------|----------------|---------------|---------|---------------|
| A | NEW RELEASE | LJH 05/18/05' | ~ | LJC 05/18/05' |
| C | 整理英制短螺丝尺寸 | YCH 07/18/08' | ~ | LJC 07/18/08' |
| D | 增加“全包装”类型 | YCH 05/20/10' | ~ | LJC 05/20/10' |
| E | ADD P/N CODE | LJC 12/24/13' | ~ | LJC 12/24/13' |
| J | DRAWING UPDATE | JLZ 05/19/16' | ~ | |

NOTES:
 1. Hardwares are all Nickel plated.
 2. PART NUMBER CODE:
 DS1045 - 15 X X X X X - X

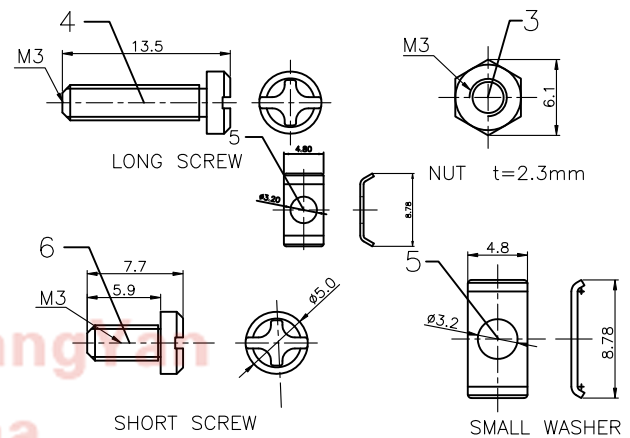
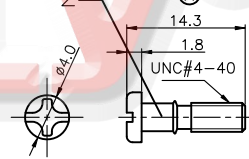
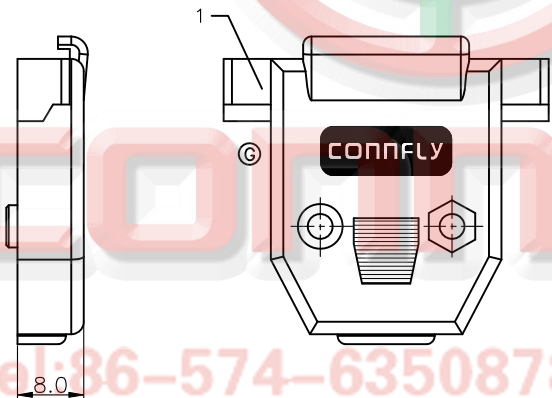
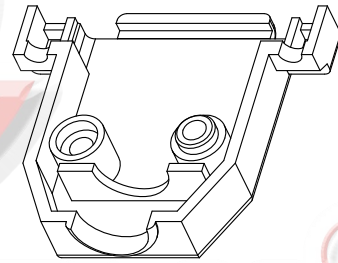
Hood Materials (E)
 A: ABS
 B: Similar ABS

Washer type
 1: Metal

Bolt type
 L: Long
 S: Short

Packing type
 1: Mix packing
 Q: Full packing

Cover Material
 P: Plastic(ABS)
 Cover Color
 A: Gray
 B: Black
 V: Ivory
 Position
 15: 15pin




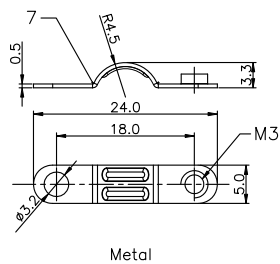
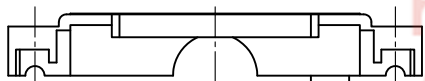
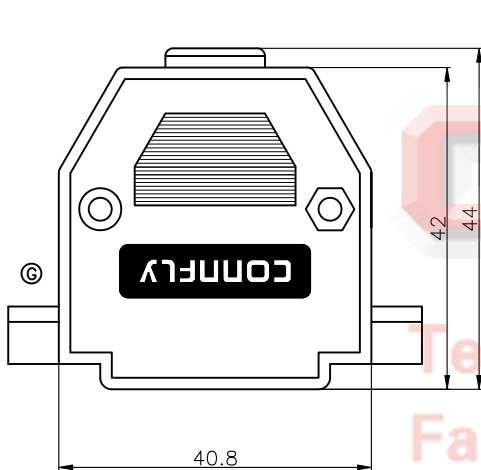
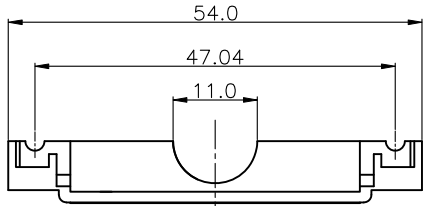
Tel: 86-574-63508787
 Fax: 86-574-63510817
 E-mail: sale@connfly.com
 http://www.connfly.com
 Add: East Industry Zone Kuangshu
 Town Cixi Ningbo China
 P.C: 315333

| GENERAL TOLERANCE | | ANGLE TOLERANCE | |
|-------------------|-------|-----------------|-----|
| X. | ±0.60 | X. | ±5° |
| .X | ±0.38 | .X | ±3° |
| .XX | ±0.25 | .XX | ±2° |

| PROJECTION | TITLE | D-SUB Plastic Hood 180° 15 Positions | |
|------------|-------|---|---------------|
| UNITS | mm | | |
| SHEET SIZE | A4 | SERIES | DS1045 SERIES |

| DRAWING TYPE | COSTOMER | | |
|--------------|----------------------|-------|--------|
| SCALE | 1:1 | SHEET | 1 OF 1 |
| DRAWING NO. | C-DS1045-15XXXXX-X-J | | |

 **晨翔电子有限公司**
CONNFLY® CONNFLY ELECTRONIC CO., LTD



| BOM LIST | | | |
|----------|----------------|------|---------|
| ITEM | PART NAME | Q'ty | NOTES |
| 1 | PLASTIC HOOD | 2 | SEE P/N |
| 2 | 2.1 LONG BOLT | 2 | #4-40 |
| | 2.2 SHORT BOLT | 2 | #4-40 |
| 3 | NUT | 2 | M3 |
| 4 | LONG SCREW | 2 | M3 |
| 5 | SMALL WASHER | 2 | M3 |
| 6 | SHORT SCREW | 2 | M3 |
| 7 | METAL WASHER | 2 | M3 |

| REV. | DESCRIPTION | DRAWN | CHECKED | APPROVED |
|------|----------------|---------------|---------|---------------|
| A | NEW RELEASE | LJH 10/26/05' | ~ | LJC 10/26/05' |
| C | 整理英制短螺丝尺寸 | YCH 07/18/08' | ~ | LJC 07/18/08' |
| D | 增加“全包装”类型 | YCH 05/20/10' | ~ | LJC 05/20/10' |
| E | ADD P/N CODE | LJC 12/24/13' | ~ | LJC 12/24/13' |
| J | DRAWING UPDATE | JLZ 06/19/16' | ~ | |

NOTES:

1. Hardwares are all Nickel plated.

2. PART NUMBER CODE:

DS1045 - 25 X X X X X - X

Hood Materials (E)

A: ABS
B: Similar ABS

Washer type

1: Metal

Bolt type

L: Long

S: Short

Packing type

1: Mix packing

Q: Full packing

Cover Material

P: Plastic(ABS)

Cover Color

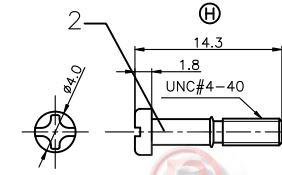
A: Gray

B: Black

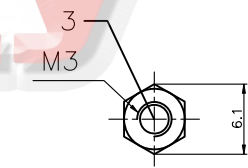
V: Ivory

Position

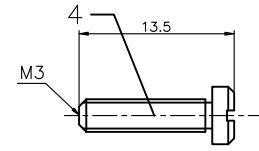
25: 25pin



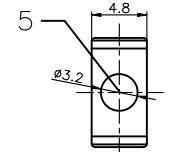
Short BOLT



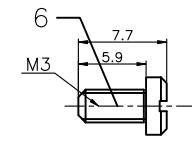
NUT t=2.3mm



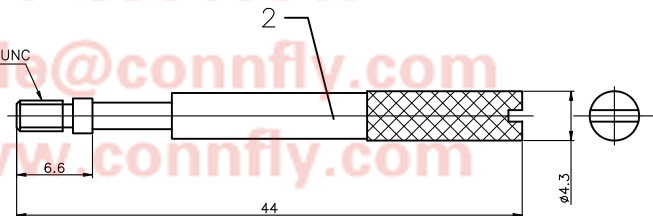
LONG SCREW



SMALL WASHER



SHORT SCREW




Long BOLT

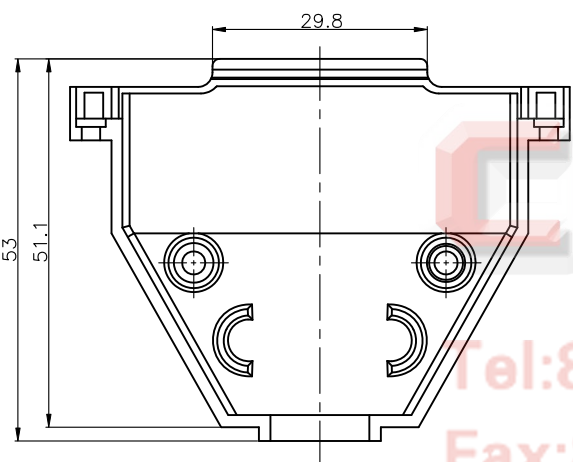
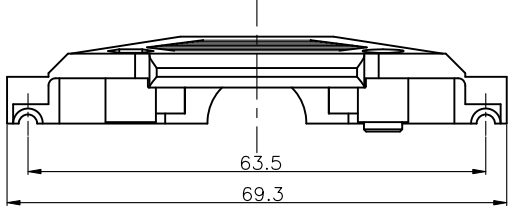
Tel:86-574-63508787
 Fax:86-574-63510817
 E-mail:sales@connfly.com
 http://www.connfly.com
 Add:East Industry Zone KuangYan
 Town Cixi Ningbo China
 P.C:315333

| GENERAL TOLERANCE | | ANGLE TOLERANCE | |
|-------------------|-------|-----------------|-----|
| X. | ±0.60 | X. | ±5° |
| .X | ±0.38 | .X | ±3° |
| .XX | ±0.25 | .XX | ±2° |

| PROJECTION | TITLE | D-SUB Plastic Hood 180° 25 Positions | |
|------------|-------|---|---------------|
| UNITS | mm | SHEET | 1 OF 1 |
| SHEET SIZE | A4 | SERIES | DS1045 SERIES |

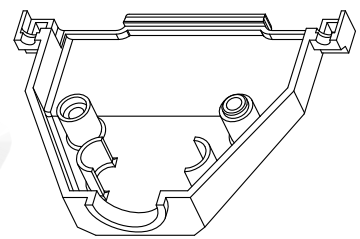
| DRAWING TYPE | COSTOMER | | |
|--------------|----------------------|-------|--------|
| SCALE | 1:1 | SHEET | 1 OF 1 |
| DRAWING NO. | C-DS1045-25XXXXX-X-J | | |

 **晨翔电子有限公司**
CONNFLY® CONNFLY ELECTRONIC CO., LTD



| BOM LIST | | | |
|----------|--------------|------|---------|
| ITEM | PART NAME | Q'ty | NOTES |
| 1 | PLASTIC HOOD | 2 | SEE P/N |
| 2 | LONG BOLT | 2 | #4-40 |
| | SHORT BOLT | 2 | #4-40 |
| 3 | NUT | 2 | M3 |
| 4 | LONG SCREW | 2 | M3 |
| 5 | SMALL WASHER | 2 | |
| 6 | SHORT SCREW | 2 | M3 |
| 7 | METAL WASHER | 2 | M3 |

| REV. | DESCRIPTION | DRAWN | CHECKED | APPROVED |
|------|----------------|---------------|---------|---------------|
| A | NEW RELEASE | LJH 10/26/05' | ~ | LJC 10/26/05' |
| C | 整理英制短螺丝尺寸 | YCH 07/18/08' | ~ | LJC 07/18/08' |
| D | 增加“全包装”类型 | YCH 05/20/10' | ~ | LJC 05/20/10' |
| E | ADD P/N CODE | LJC 12/24/13' | ~ | LJC 12/24/13' |
| J | DRAWING UPDATE | JLZ 05/19/16' | ~ | |



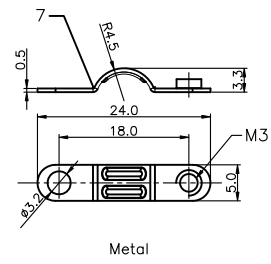
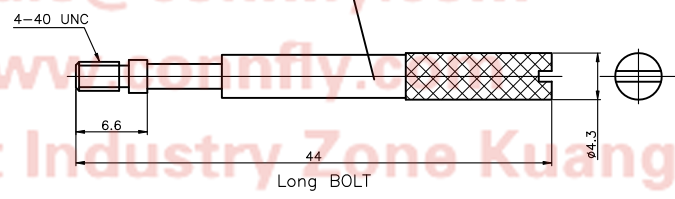
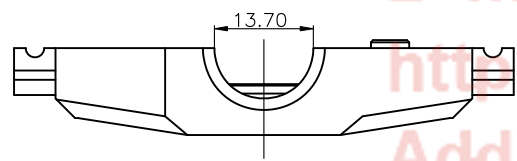
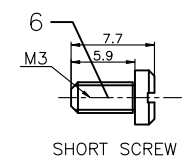
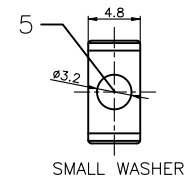
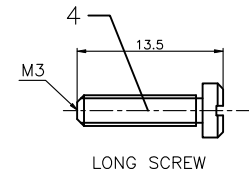
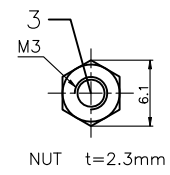
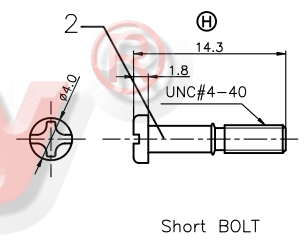
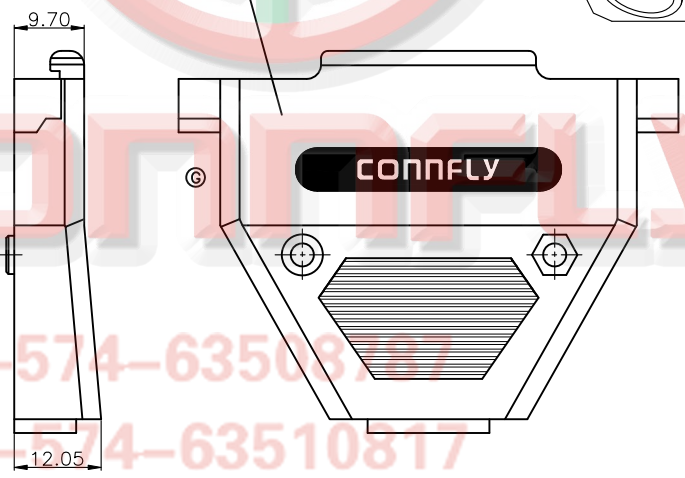
NOTES:
 1. Hardwares are all Nickel plated.
 2. PART NUMBER CODE:
 DS1045 - 37 X X X X X - X

Hood Materials
 A: ABS
 B: Similar ABS

Washer type
 1: Metal

Bolt type
 L: Long
 S: Short
 Packing type
 1: Mix packing
 Q: Full packing

Cover Material
 P: Plastic(ABS)
 Cover Color
 A: Gray
 B: Black
 V: Ivory
 Position
 37: 37pin



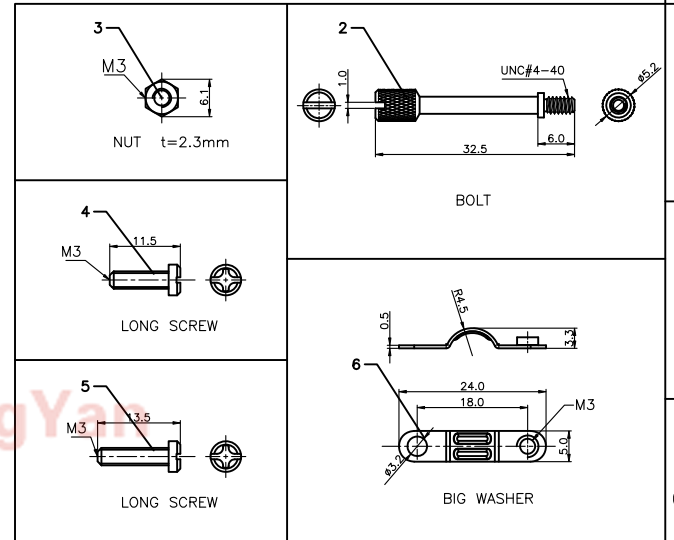
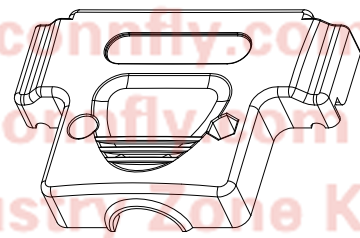
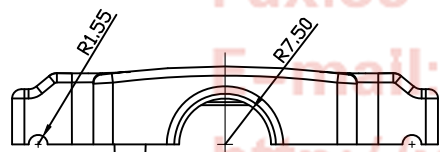
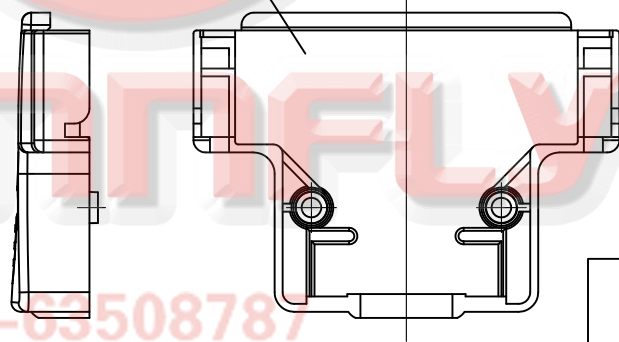
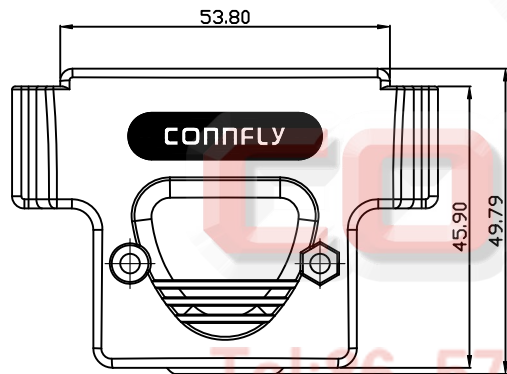
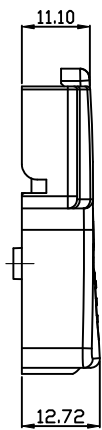
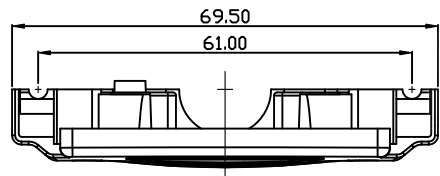
Tel:86-574-6350817
 Fax:86-574-63510817
 E-mail:sale@connfly.com
 http://www.connfly.com
 Add:East Industry Zone KuangYan
 Town Cixi Ningbo China
 P.C:315333

| GENERAL TOLERANCE | | ANGLE TOLERANCE | | PROJECTION | TITLE |
|-------------------|-------|----------------------|-----|--|---|
| X. | ±0.60 | X. | ±5° | mm | D-SUB Plastic Hood 180° 37 Positions |
| .X | ±0.38 | .X | ±3° | A4 | SERIES DS1045 SERIES |
| .XX | ±0.25 | .XX | ±2° | | |
| DRAWING TYPE | | CUSTOMER | | 晨翔电子有限公司 CONNFLY ELECTRONIC CO., LTD | |
| SCALE | | 1:1 SHEET 1 OF 1 | | | |
| DRAWING NO. | | C-DS1045-37XXXXX-X-J | | | |

| REV. | DESCRIPTION | DRAWN | CHECKED | APPROVED |
|------|-----------------|---------------|---------|---------------|
| A | NEW RELEASE | YCH 05/24/11' | ~ | LJC 05/24/11' |
| B | ADD P/N CODE | LJC 12/24/13' | ~ | LJC 12/24/13' |
| C | Arrange Drawing | JLZ 10/09/14' | ~ | LJC 10/09/14' |
| J | DRAWING UPDATE | JLZ 05/19/16' | ~ | |

NOTES:
 1. Hardware are all Nickel plated.
 2. PART NUMBER CODE:
 DS1045 - 50 X X X - X

- Hood Materials®
 - A: ABS
 - B: Similar ABS
- Packing type
 - 1: Mix packing
- Cover Color
 - A: Gray
 - B: Black
- Cover Material
 - P: Plastic(ABS)
- Position
 - 50: 50pin




| BOM LIST | | | |
|----------|--------------|------|---------|
| ITEM | PART NAME | Q'ty | NOTES |
| 1 | PLASTIC HOOD | 2 | SEE P/N |
| 2 | BOLT | 2 | #4-40 |
| 3 | NUT | 2 | M3 |
| 4 | M3*10 SCREW | 2 | M3 |
| 5 | M3*12 SCREW | 2 | M3 |
| 6 | BIG WASHER | 2 | M3 |

| GENERAL TOLERANCE | | ANGLE TOLERANCE | |
|-------------------|-------|-----------------|-----|
| X. | ±0.60 | X. | ±5° |
| .X | ±0.38 | .X | ±3° |
| .XX | ±0.25 | .XX | ±2° |

| DRAWING TYPE | CUSTOMER | | |
|--------------|--------------------|-------|--------|
| SCALE | 1:1 | SHEET | 1 OF 1 |
| DRAWING NO. | C-DS1045-50XXX-X-J | | |

| PROJECTION | TITLE | D-SUB Plastic Hood 180° 50 Positions | |
|------------|-------|---|---------------|
| UNITS | mm | | |
| SHEET SIZE | A4 | SERIES | DS1045 SERIES |

 **晨翔电子有限公司**
CONNFLY® CONNFLY ELECTRONIC CO., LTD

Tel:86-574-63508787
 Fax:86-574-63510817
 Email:sale@connfly.com
 http://www.connfly.com
 Add:East Industry Zone KuangYan
 Town Cixi Ningbo China
 P.C:315333