



2019-V1.0-0307

# Specifications

---

**Constant Current LED Power Supplies**

**LFEU-60C Series, 60W**

**PAIRUI ELECTRONICS**

No. 545 Museum Road  
Yangzhou, Jiangsu  
China 225009

Tel: 86 (514) 8279 1592

Fax: 86 (514) 8769 3159

**2019**

# LED Power Supplies for Outdoor Use

## LFEU-60C SERIES, 60WATT, IP65/IP44 RATING

### Features

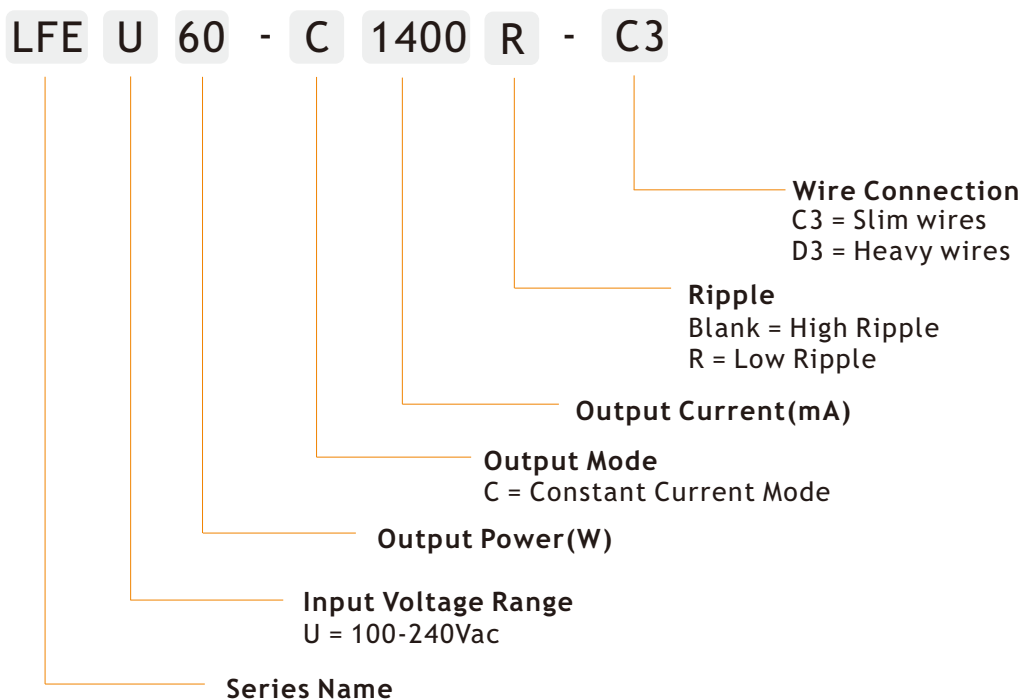
- 3 Year Warranty
- Universal Input Voltage Range: 100~240Vac
- Constant Current Output Mode
- Waterproof Rating IP65/IP44
- Built-in Active Power Factor Correction
- Class II Power, no FG
- All Round Protections: Short Circuit, Over Voltage, Over Current



### Applications

- ✓ Garden Light
- ✓ Cabinet Light
- ✓ Landscape Light
- ✓ Other Indoor and Outdoor used Lights
- ✓ Stage Light

### Electrical



## Electrical

Part Number	Nominal Input Voltage	Output Current Output Voltage	No Load Output Voltage	Ripple	Efficiency	Certificate
High Ripple						
LFEU60-C700-C3 LFEU60-C700-D3	100-240VAC	700mA(60-86V)	95V	50%	90%	–
LFEU60-C1050-C3 LFEU60-C1050-D3	100-240VAC	1050mA(40-57V)	63V	50%	89%	CE, CCC
LFEU60-C1400-C3 LFEU60-C1400-D3	100-240VAC	1400mA(30-43V)	47V	50%	87%	CE, CCC
LFEU60-C1500-C3 LFEU60-C1500-D3	100-240VAC	1500mA(28-40V)	44V	50%	87%	CE, CCC
LFEU60-C1750-C3 LFEU60-C1750-D3	100-240VAC	1750mA(24-34V)	37V	50%	87%	CE, CCC
LFEU60-C2100-C3 LFEU60-C2100-D3	100-240VAC	2100mA(20-29V)	32V	50%	87%	CE, CCC
LFEU60-C2800-C3 LFEU60-C2800-D3	100-240VAC	2800mA(14-21V)	23V	50%	86%	CE, CCC
Low Ripple						
LFEU60-C700R-C3 LFEU60-C700R-D3	100-240VAC	700mA(60-86V)	95V	10%	88%	–
LFEU60-C1050R-C3 LFEU60-C1050R-D3	100-240VAC	1050mA(40-57V)	63V	10%	87%	CE, CCC

NOTE:1. Other output models are may available on request;  
 2. Above models are suitable for indoor or outdoor environment without direct sunlight exposure, avoid immerse in the water for more than 30 minute.

**INPUT**

PARAMETER	CONDITIONS	MIN	TYP	MAX	UNITS
Input frequency		47		63	Hz
Input current	Full load, Vin=230Vac		0.4		A
Inrush current	Cold start, Vin=230Vac			50	A
Power factor(PF)	Full load, Vin=230Vac		0.95		
Surge voltage	L-N		2		KV

**OUTPUT**

PARAMETER	CONDITIONS	MIN	TYP	MAX	UNITS
Output current accuracy			±5		%
Line regulation	Vin from 100Vac to 240Vac		±5		%
Load regulation	Vout from min. to max.		±5		%
Output current overshoot	Turning on			10	%
Turn-on delay time	Cold start, power on		1000		ms
Ripple	Please refer to below measuring method		See page 2		mAp-p
THD	Output load≥60%			20	%

NOTE: The values are measured at 20MHz of bandwidth by using a 12" twisted pair-wire terminated with 0.1uF & 47uF parallel capacitor under ambient temperature 25°C at rated input voltage and rated load.

**Protection**

Short circuit	In hiccup mode, it will recover automatically after fault condition is removed
Over voltage	110-150% Vout, it will recover automatically after fault condition is removed
Over current	In hiccup mode, it will recover automatically after fault condition is removed

## Environment

PARAMETER	CONDITIONS	MIN	TYP	MAX	UNITS
Ambient operating temperature	Startup at rated voltage (Derating required)	-25		+50	°C
Operating relative humidity	Non condensing	20		90	%
Storage temperature	Humidity 10 ~ 95% RH	-40		+80	°C
Maximum case temperature	Hot-spot on case			+75	°C
Lifetime	Full load, 220Vac input, 25°C ambient temperature	30			Khrs
Waterproof rating	Slim wire IP44   Heavy wire IP65				
Dimension(LxWxH)	165.4 x 42.0 x 31.5mm				
Weight	400g				

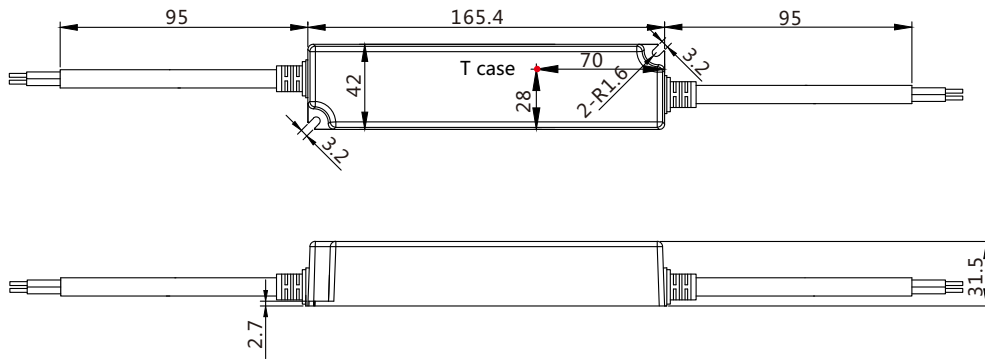
## Safety/EMC

Safety	Design refer to UL8750, EN61347, EN61347-2-13
EMC	Compliance to EN55015, FCC Part 15 Class B, EN61000-3-2, EN61000-3-3, EN61000-4-2, 3, 4, 6, 8, 11, EN61547

NOTE: Unless otherwise specified, all the above parameters are measured at ambient temperature of 25°C and Vin=100Vac to 240Vac.

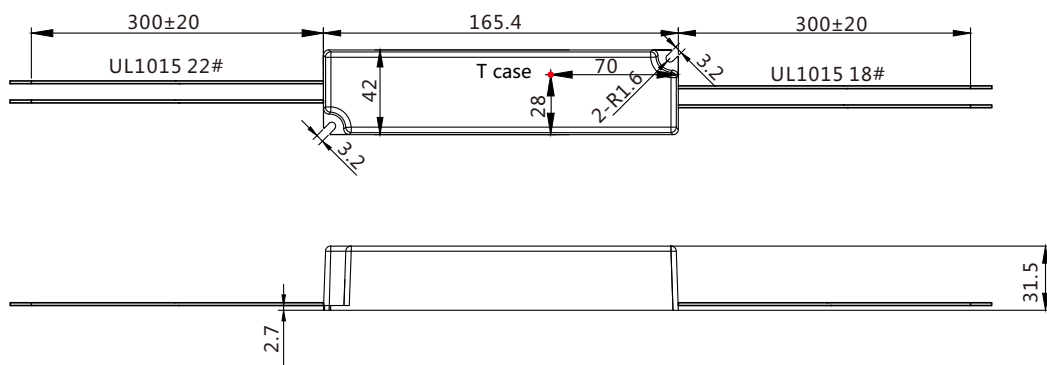
Mechanical

Heavy wires



Unit: mm

Slim wires



Unit: mm

Electrical Curve

