

NOTES:

1. MATERIALS:

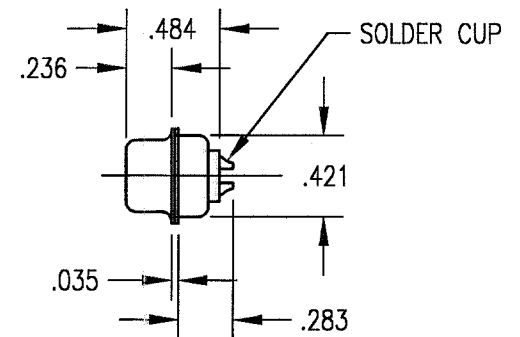
SHELL: STEEL PER ASTM A568
INSULATOR: GLASS FILLED POLYESTER
SIGNAL CONTACTS: BRASS PER ASTM B121

2. FINISH:

SHELL: YELLOW CHROMATE OVER ZINC PER ASTM B633
SIGNAL CONTACTS: .000030 MIN. GOLD PER MIL-G-45204
OVER NICKEL

3. CONTACT ARRANGEMENT:

- (17) SIGNAL CONTACTS, SOLDER CUP (SUPPLIED IN HOUSING)
- (4) COAX OR POWER CONTACTS (NOT SUPPLIED)




THIS INFORMATION IS PROPRIETARY AND CONFIDENTIAL. IT IS DISCLOSED TO YOU ON CONDITION NO FURTHER DISCLOSURE IS MADE TO OTHER THAN RETCONN PERSONNEL WITHOUT WRITTEN AUTHORIZATION FROM RETCONN INC., TORRINGTON, CT.

| REV. | DESCRIPTION OF CHANGE | DATE | DRN | APPR | MATERIAL | FINISH |
|-----------|-----------------------|--------|-----|------|----------|--------|
| E | ECN 1973 | 4/8/98 | JED | PRP | | |
| REVISIONS | | | | | | |

UNLESS OTHERWISE SPECIFIED
ALL DIMENSIONS ARE NOMINAL AND
FOR REFERENCE ONLY.
DIMENSIONS IN INCHES
DO NOT SCALE PRINT

SALES DRAWING



RETCONN
A SUBSIDIARY OF SPM
199 W. PEARL ROAD TORRINGTON, CT. 06790
TEL (860) 489-1220 FAX (860) 496-7307

TITLE: D-SUB HOUSING - MIXED LAYOUTS (21WA4P)

| | | | | |
|---------------------|----------------------------|---------------------------|--------------|--------|
| DRAWN JED | DATE 4/8/98 | CHECKED <i>gmslead</i> | SCALE 1:1 | FSCM (|
| APPR. <i>PRP</i> | DWG. NO. RM21WA4P-50-ZB | RE | | |