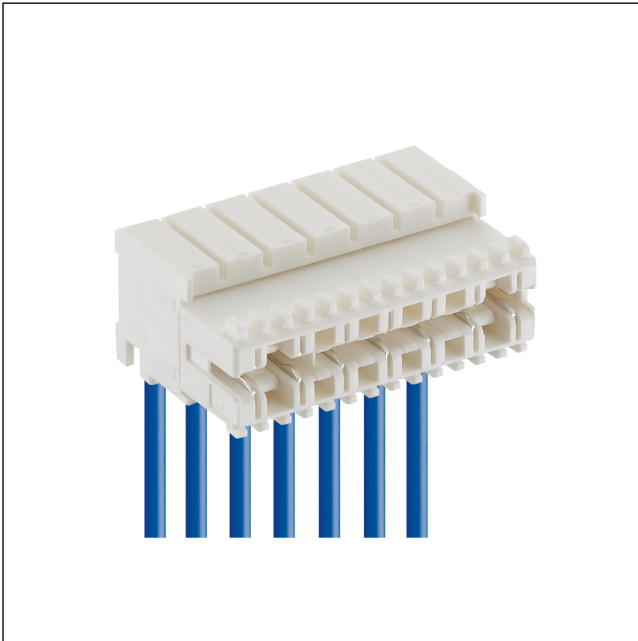


36

3636

RAST 5 connectors, pitch 5.0 mm



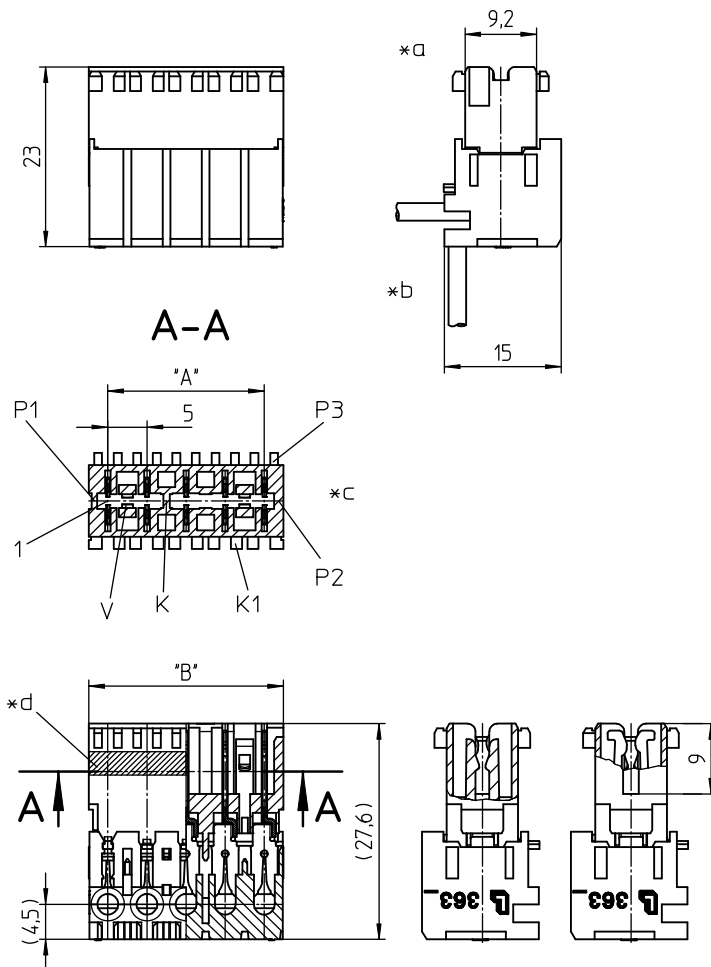
RAST 5 connector for direct mating, insulation displacement technology (IDT), alternatively with or without locking on printed circuit board, with or without keying rib and closed sides, consecutive placement without loss of pitch

State: Active

Approvals:



36 3636



Environmental conditions

Temperature range -40 °C/+125 °C – 3636 (S..)
 -40 °C/+130 °C – 3636 M08(S..) ¹

¹ upper limit temperature (insulating body) RTI (electrical) of the UL Yellow Card


Materials

Insulating body PA, V-2 according to UL94 – 3636 (S..)
 PA, V-2 according to UL94 – 3636 M08(S..) ¹

Contact spring CuSn, tin-plated

¹ M08: component glow wire resistant (GWT 750 °C), testing acc. to IEC 60695-2-11, assessment acc. to IEC 60335-1 (flame < 2 s)


Mechanical data

Mating with Leiterplatte 1,5 ± 0,14 mm
 Insertion force/contact ≤ 4,0 N ¹
 Withdrawal force/contact ≥ 1,0 N ¹
 Retaining force/locking ≥ 6,0 N ²
 Keying proposals at www.lumberg.com 

¹ ≥ 6,0 N

² measured with a polished steel gauge, nominal thickness 1.5 mm

Connectable conductors for IDT area

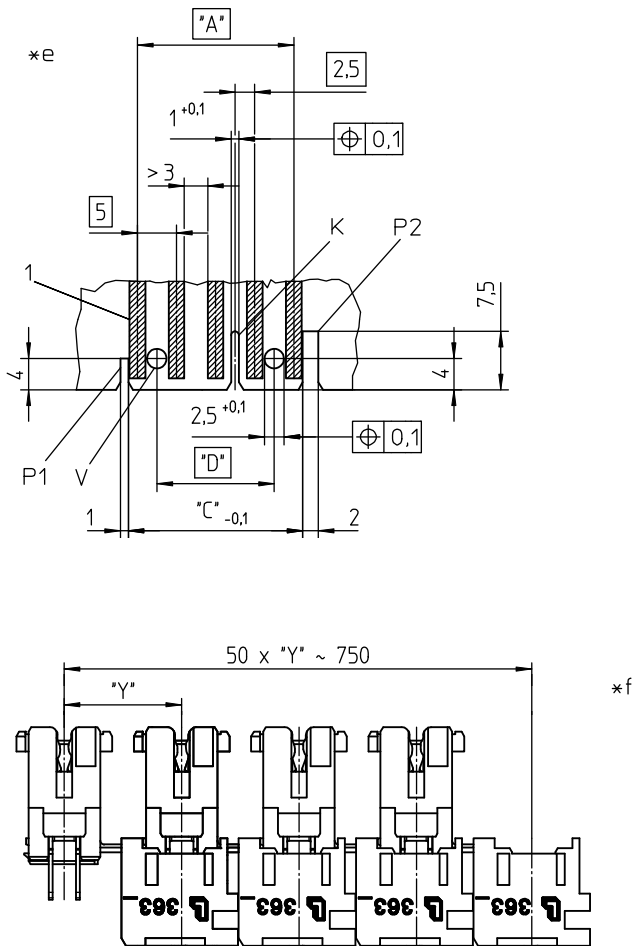
Construction discrete conductor, notched flat cable 5.0 mm
 Section min. 0,22 mm ²
 Section max. 0,75 mm ²
 Insulation diameter ≤ 2,5 mm
 Approved cables at www.lumberg.com 

Electrical data (at T_{amb} 20 °C)

Contact resistance ≤ 5 mΩ
 Rated current 6 A (0,75 mm ², T_u 70 °C) – 3636 (M..)
 4 A (0,38 mm ², T_u 70 °C) – 3636 (M..)S01
 Rated voltage 250 V AC
 Material group I (IEC)/0 (UL) (CTI ≥ 600) – 3636 (S..)
 IIIa (IEC)/2 (UL) (CTI ≥ 250) – 3636 M08(S..)
 Creepage distance 3,6 mm
 Clearance 3,6 mm
 Insulation resistance > 10 GΩ

36

3636



Associated products

Harnessing equipment

☑ HA3...e	☑ HA36e	☑ HA36e-CA
☑ HZ-M36	☑ HZ36-K	☑ KHP36
☑ VARICON 7000	☑ VARICON 7000-RD	

- *a terminated connector
- *b cable departure 90° or 180°
- *c K = keying
P = positioning
V = lock
- *d color marking blue at 3636 (M..)S01
- *e example for printed circuit board layout
- *f chaining of the component parts (state of delivery)

36

3636

Designation	Pole Number	PU (Pieces)	MDQ (Pieces)	Dimensions			
				A (mm)	B (mm)	C (mm)	D (mm)
3636 02	2	3600	3600	5	10	7.3	-
3636 03	3	2250	2250	10	15	12.3	5
3636 04	4	1800	1800	15	20	17.3	10
3636 05	5	1350	1350	20	25	22.3	15
3636 06	6	900	1800	25	30	27.3	20
3636 07	7	900	1800	30	35	32.3	25
3636 08	8	900	1800	35	40	37.3	30
3636 09	9	450	1800	40	45	42.3	35
3636 10	10	450	1800	45	50	47.3	40
3636 11	11	450	1800	50	55	52.3	45
3636 12	12	450	1800	55	60	57.3	50

Designation to be completed by further details (e.g. for keying, color or material options).

Packaging:

chained, in a cardboard box