

# INTEGRATED CONNECTOR MODULES

## 0826-1X4T-23-F Gigabit Ethernet MagJack® 1 x 4 with LEDs



| LED1 POLARITY |        |        | LED2 POLARITY |        |        |
|---------------|--------|--------|---------------|--------|--------|
| PIN 13        | PIN 14 | COLOR  | PIN 15        | PIN 16 | COLOR  |
|               |        |        | +             | -      | ORANGE |
| -             | +      | YELLOW | -             | +      | GREEN  |

### ELECTRICAL CHARACTERISTICS @ 25°C

#### URNS RATIO

|     |               |
|-----|---------------|
| TP1 | 1CT : 1CT ±2% |
| TP2 | 1CT : 1CT ±2% |
| TP3 | 1CT : 1CT ±2% |
| TP4 | 1CT : 1CT ±2% |

#### CL @ 100kHz/100mVRMS

8mA DC BIAS 350µH MIN.

#### INS. LOSS

|                  |             |
|------------------|-------------|
| 0.1MHz TO 1MHz   | -1.1 dB MAX |
| 1MHz TO 65MHz    | -0.5 dB MAX |
| 65MHz TO 100MHz  | -0.8 dB MAX |
| 100MHz TO 125MHz | -1.2 dB MAX |

#### RET. LOSS (MIN) @ 100 OHMS ±15%

|              |                       |
|--------------|-----------------------|
| 0.5MHz-40MHz | -18 dB                |
| 40MHz-100MHz | -12+20LOG(f/80MHz) dB |

#### CM TO CM REJ

100kHz - 100MHz -30 dB MIN

#### CM TO DM REJ

100kHz - 100MHz -35 dB MIN

#### HIPOT (Isolation Voltage):

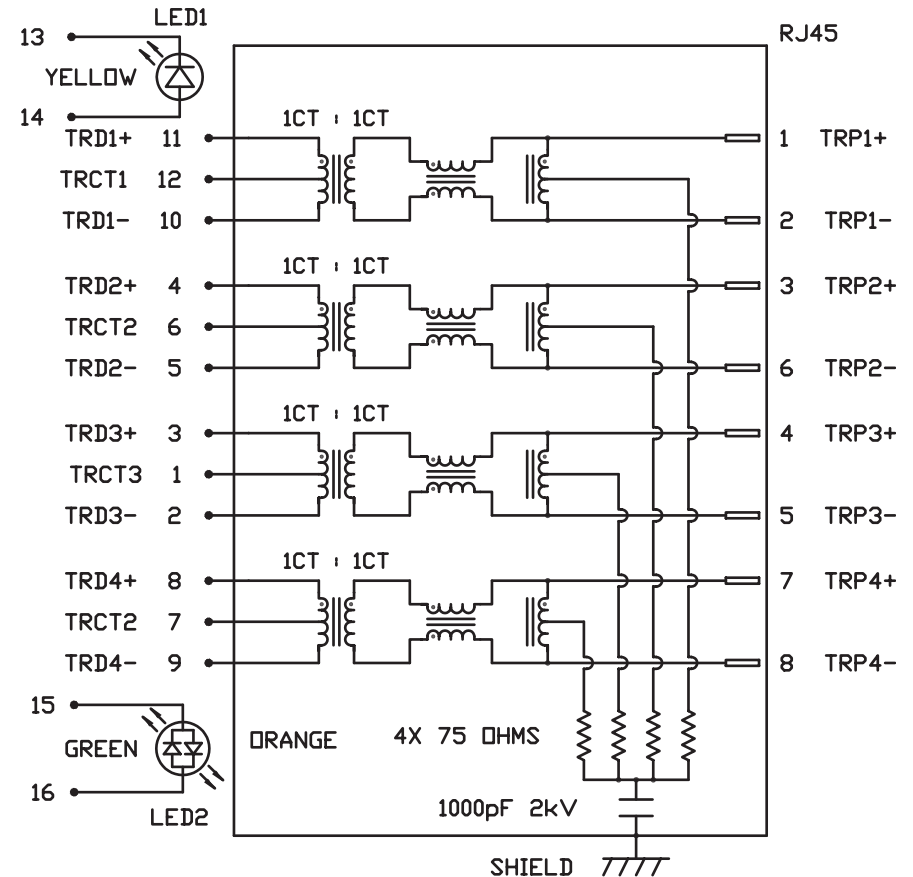
1500 Vrms or 2250 VDC

#### LED 1

|                                      |         |        |            |
|--------------------------------------|---------|--------|------------|
| V <sub>F</sub> (FORWARD VOLTAGE)     | IF=20mA | YELLOW | 2.1V TYP.  |
| λ <sub>D</sub> (DOMINANT WAVELENGTH) | IF=20mA | YELLOW | 590nm TYP. |

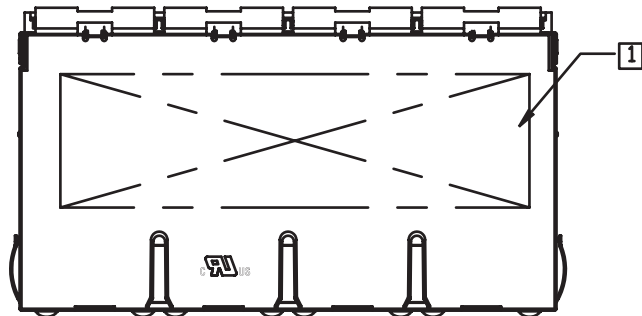
#### LED 2

|                                      |         |        |            |
|--------------------------------------|---------|--------|------------|
| V <sub>F</sub> (FORWARD VOLTAGE)     | IF=20mA | GREEN  | 2.2V TYP.  |
| λ <sub>D</sub> (DOMINANT WAVELENGTH) | IF=20mA | ORANGE | 2.0V TYP.  |
|                                      |         | GREEN  | 565nm TYP. |
|                                      |         | ORANGE | 610nm TYP. |



# INTEGRATED CONNECTOR MODULES

## 0826-1X4T-23-F Gigabit Ethernet MagJack® 1 x 4 with LEDs



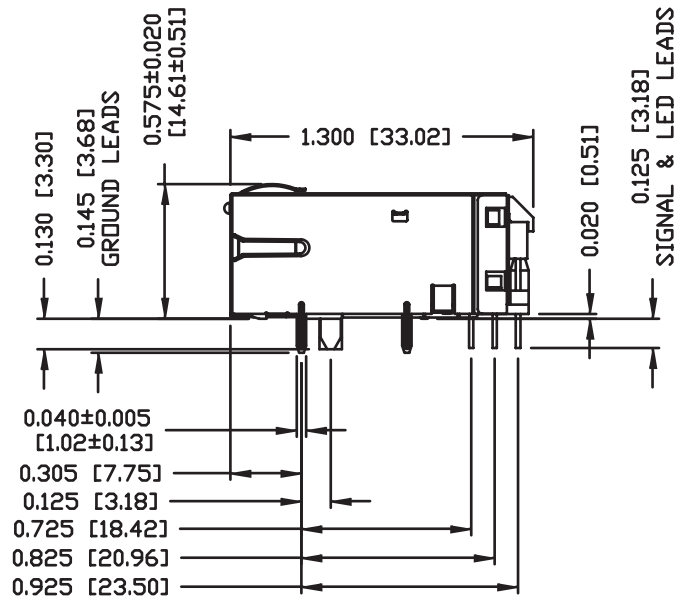
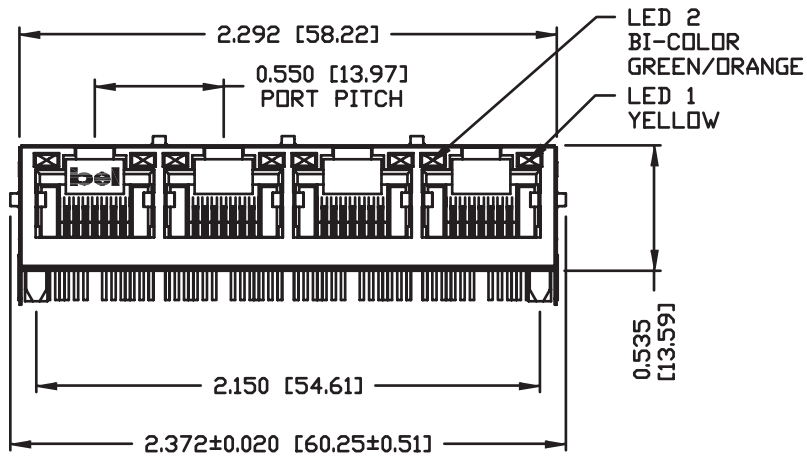
**NOTES:**

- PLASTIC HOUSING: THERMOPLASTIC PBT  
FLAMMABILITY RATING UL 94V-0
- CONTACTS PLATING: 50 MICRO-INCH HARD GOLD PLATING
- PINS: TIN-COATED COPPER WIRE, DIA 0.018 INCH.
- METAL SHIELD: NICKEL PLATED ON COPPER ALLOY,  
(ALL GROUND LEADS ARE SOLDER DIPPED)

1 MARK PART WITH MFG LOGO, MFG NAME, PART NUMBER AND DATE CODE.

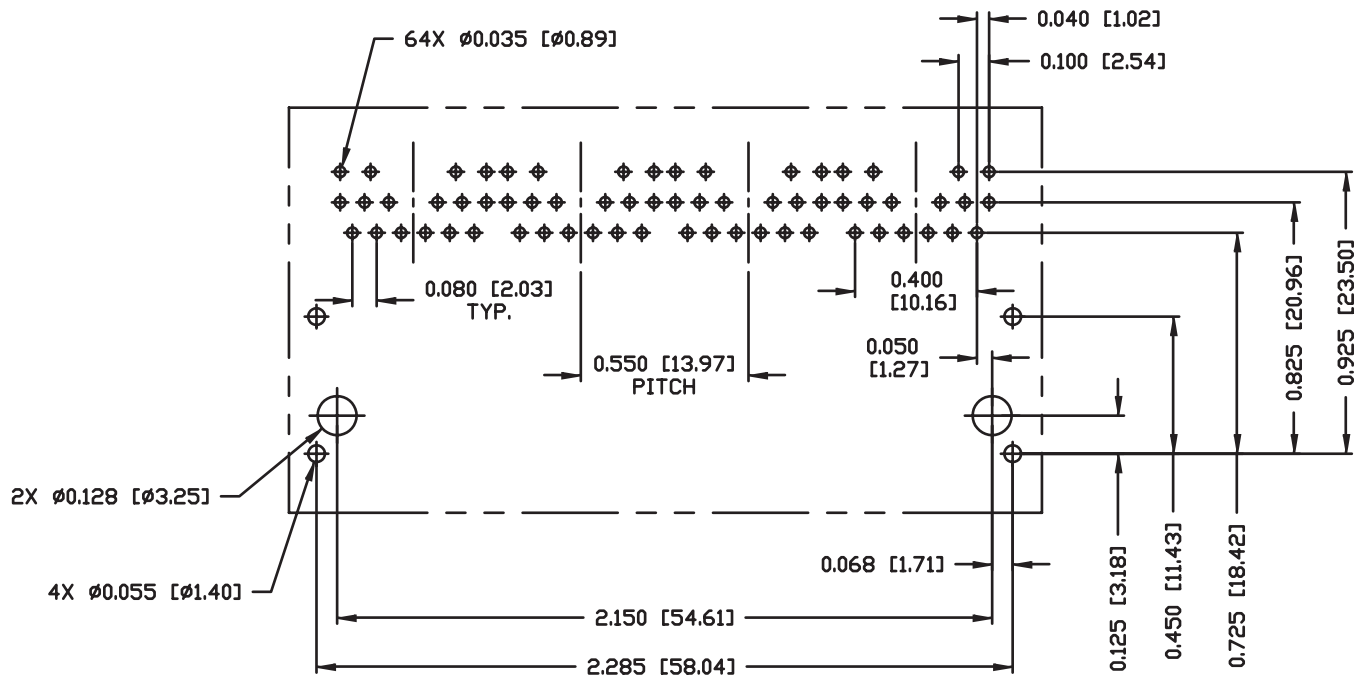
US UL RECOGNIZED - FILE #E196366 AND E169987.

RoHS COMPLIANCE, PER EU DIRECTIVE 2002/95/EC.



# INTEGRATED CONNECTOR MODULES

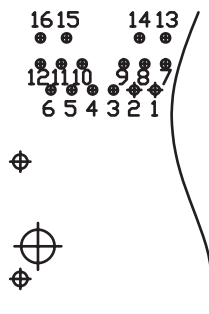
## 0826-1X4T-23-F Gigabit Ethernet MagJack® 1 x 4 with LEDs



RECOMMENDED PCB FOOTPRINT  
COMPONENT SIDE VIEW

# INTEGRATED CONNECTOR MODULES

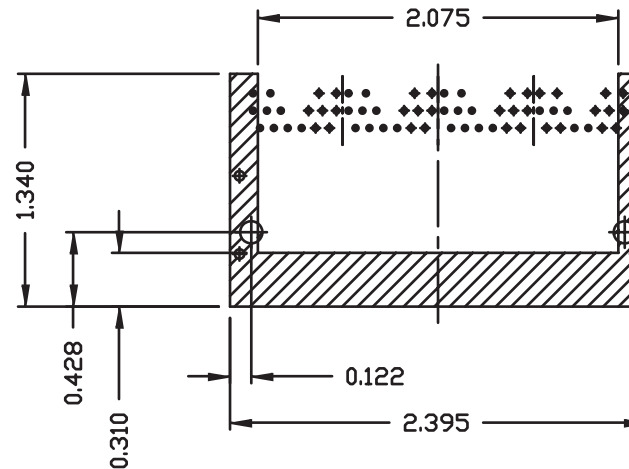
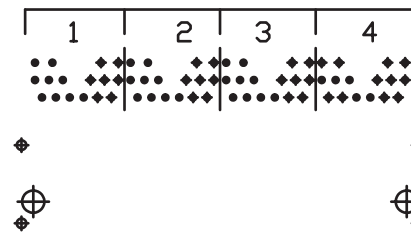
## 0826-1X4T-23-F Gigabit Ethernet MagJack® 1 x 4 with LEDs



PIN-OUT INFORMATION  
(COMPONENT SIDE VIEW)

|    |       |
|----|-------|
| 12 | TRCT1 |
| 11 | TRD1+ |
| 10 | TRD1- |
| 9  | TRD4- |
| 8  | TRD4+ |
| 7  | TRCT2 |
| 6  | TRCT2 |
| 5  | TRD2- |
| 4  | TRD2+ |
| 3  | TRD3+ |
| 2  | TRD3- |
| 1  | TRCT3 |

PORT ASSIGNMENT  
(COMPONENT SIDE VIEW)

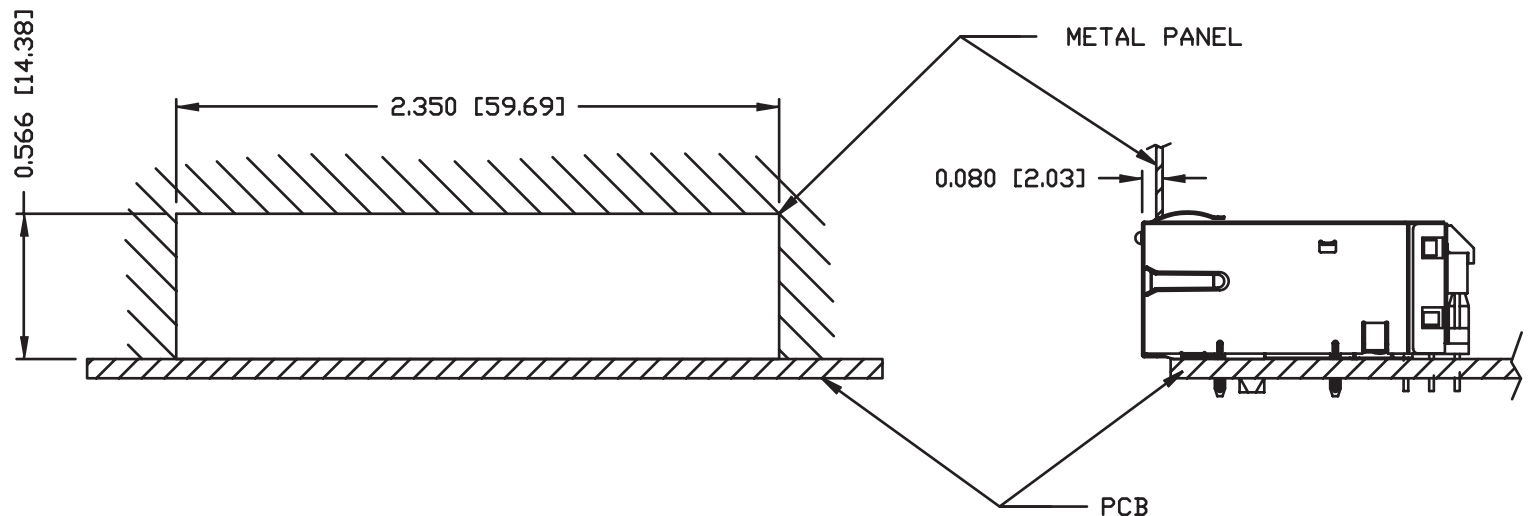


THE SHADED AREA ON THE CUSTOMER BOARD ARE RECOMMENDED TO BE CLEAR OFF ANY VIA HOLE OR COMPONENT PAD.

**INTEGRATED CONNECTOR MODULES**  
**0826-1X4T-23-F Gigabit Ethernet MagJack® 1 x 4 with LEDs**



SUGGESTED PANEL OPENING



**NOTES:**

THE DISTANCE OF PANEL INSIDE SURFACE RELATIVE TO FRONT SURFACE OF PART IS ONLY A SUGGESTION. IN CASE THIS DISTANCE IS DIFFERENT, THE REQUIRED PANEL OPENING DIMENSIONS CHANGE ACCORDINGLY.

**PACKING INFORMATION**

PACKING TRAY : 0200-9999-B4 (TOP)  
 0200-9999-B5 (BOTTOM)

PACKING QUANTITY : 24 PCS FINISHED GOODS PER TRAY  
 10 TRAYS (240 PCS FINISHED GOODS) PER CARTON BOX

NOTE : CARDBOARDS ARE PLACED BETWEEN LAYERS OF PACKING TRAY INSIDE CARTON BOX  
 (INCLUDE THE UPPERMOST AND LOWERMOST TRAY)