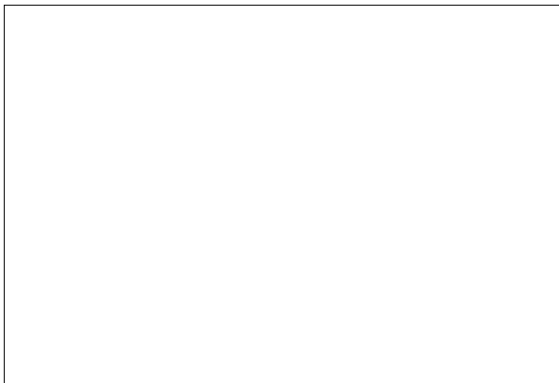


SMDT-160H

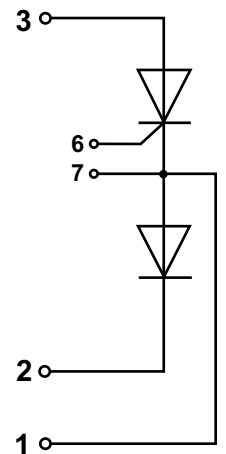
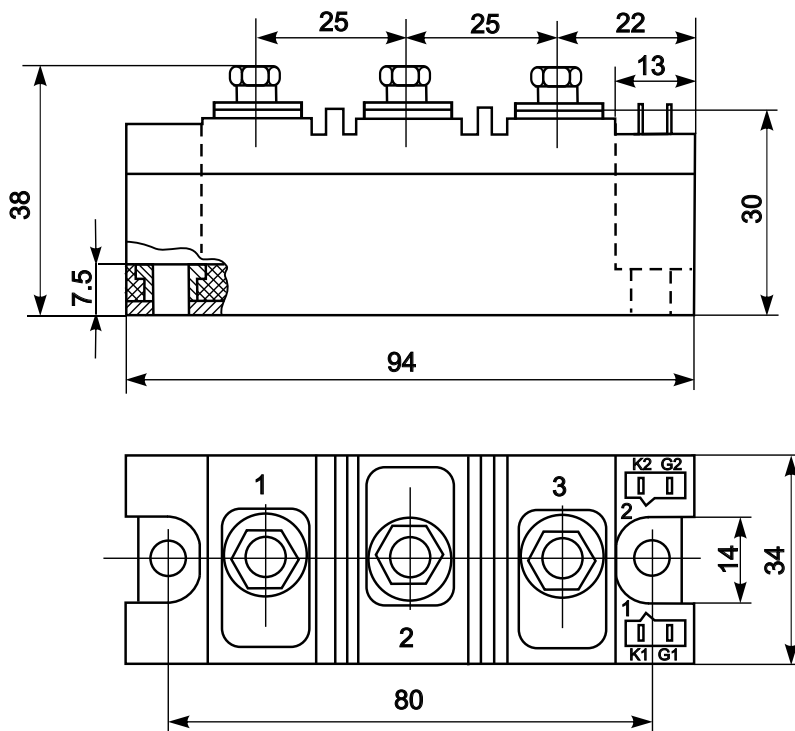


Diode-Thyristor Module



| Type | V_{RSM} | V_{RRM} , V_{DRM} |
|--------------|-----------|--------------------------|
| SMDT-160H-08 | 1000 | 800 |
| SMDT-160H-12 | 1400 | 1200 |
| SMDT-160H-14 | 1600 | 1400 |
| SMDT-160H-16 | 1800 | 1600 |
| SMDT-160H-18 | 2000 | 1800 |
| SMDT-160H-20 | 2200 | 2000 |
| SMDT-160H-22 | 2400 | 2200 |
| SMDT-160H-24 | 2600 | 2400 |

| Type | I_{TAVM} , I_{FAVM} | I_{TRMS} , I_{FRMS} | T_C | I_{TSM} , I_{FSM} | $(di/dt)_{cr}$ | $(dv/dt)_{cr}$ | V_{TM} | I_{TM} , I_{FM} | V_{TO} | r_T | t_q | V_{GT} | I_{GT} | T_{VJM} | V_{isol} | R_{thJC} |
|-----------|----------------------------|----------------------------|-------|--------------------------|----------------|----------------|----------|------------------------|----------|-------|-------|----------|----------|-----------|------------|------------|
| | A | A | °C | kA | A/μs | V/μs | V | A | V | mΩ | μs | V | mA | °C | V | K/W |
| SMDT-160H | 160 | 290 | 85 | 5.4 | 100 | 500 | 1.9 | 480 | 0.85 | 1.6 | 150 | 2.5 | 100 | 125 | 2500 | 0.2 |



Features:

- Industrial standard package
- Heat transfer through aluminium nitride ceramic isolated metal baseplate
- Precise internal pressure contacts for high reliability
- 2500V RMS isolation voltage

Typical Applications:

- DC motor control
- AC motor soft starter
- Temperature control (e.g. for ovens, chemical processes)
- Lighting control