

## 2M x 32-Bit Dynamic RAM Module

## HYM 322030S/GS-60/-70

### Advanced Information

- 2 097 152 words by 32-bit organization
- Fast access and cycle time
  - 60 ns access time
  - 110 ns cycle time (-60 version)
  - 70 ns access time
  - 130 ns cycle time (-70 version)
- Fast page mode capability
  - 40 ns cycle time (-60 version)
  - 45 ns cycle time (-70 version)
- Single + 5 V (± 10 %) supply
- Low power dissipation
  - max. 3300 mW active (-60 version)
  - max. 3025 mW active (-70 version)
  - CMOS – 22 mW standby
  - TTL – 44 mW standby
- $\overline{\text{CAS}}$ -before- $\overline{\text{RAS}}$  refresh
- $\overline{\text{RAS}}$ -only-refresh
- Hidden-refresh
- 4 decoupling capacitors mounted on substrate
- All inputs, outputs and clocks fully TTL compatible
- 72 pin Single in-Line Memory Module (L-SIM-72-9) with 20.32 mm (800 mil) height
- Utilizes four 2M x 8 - DRAMs in 400 mil SOJ-packages
- 2048 refresh cycles / 32 ms
- Tin-Lead contact pads (S - version)
- Gold contact pads (GS - version)

### Ordering Information

Type	Ordering Code	Package	Description
HYM 322030S-60	Q67100-Q976	L-SIM-72-9	DRAM Module (access time 60 ns)
HYM 322030S-70	Q67100-Q977	L-SIM-72-9	DRAM Module (access time 70 ns)
HYM 322030GS-60	Q67100-Q2018	L-SIM-72-9	DRAM Module (access time 60 ns)
HYM 322030GS-70	Q67100-Q2019	L-SIM-72-9	DRAM Module (access time 70 ns)

The HYM 322030S/GS-60/-70 is a 8 M Byte DRAM module organized as 2 097 152 words by 32-bit in a 72-pin single-in-line package comprising four HYB 5117800BSJ 2M × 8 DRAMs in 400 mil wide SOJ-packages mounted together with four 0.2 μF ceramic decoupling capacitors on a PC board.

Each HYB 5117800BSJ is described in the data sheet and is fully electrical tested and processed according to SIEMENS standard quality procedure prior to module assembly. After assembly onto the board, a further set of electrical tests is performed.

The speed of the module can be detected by the use of four presence detect pins.

The common I/O feature on the HYM 322030S/GS-60/-70 dictates the use of early write cycles.

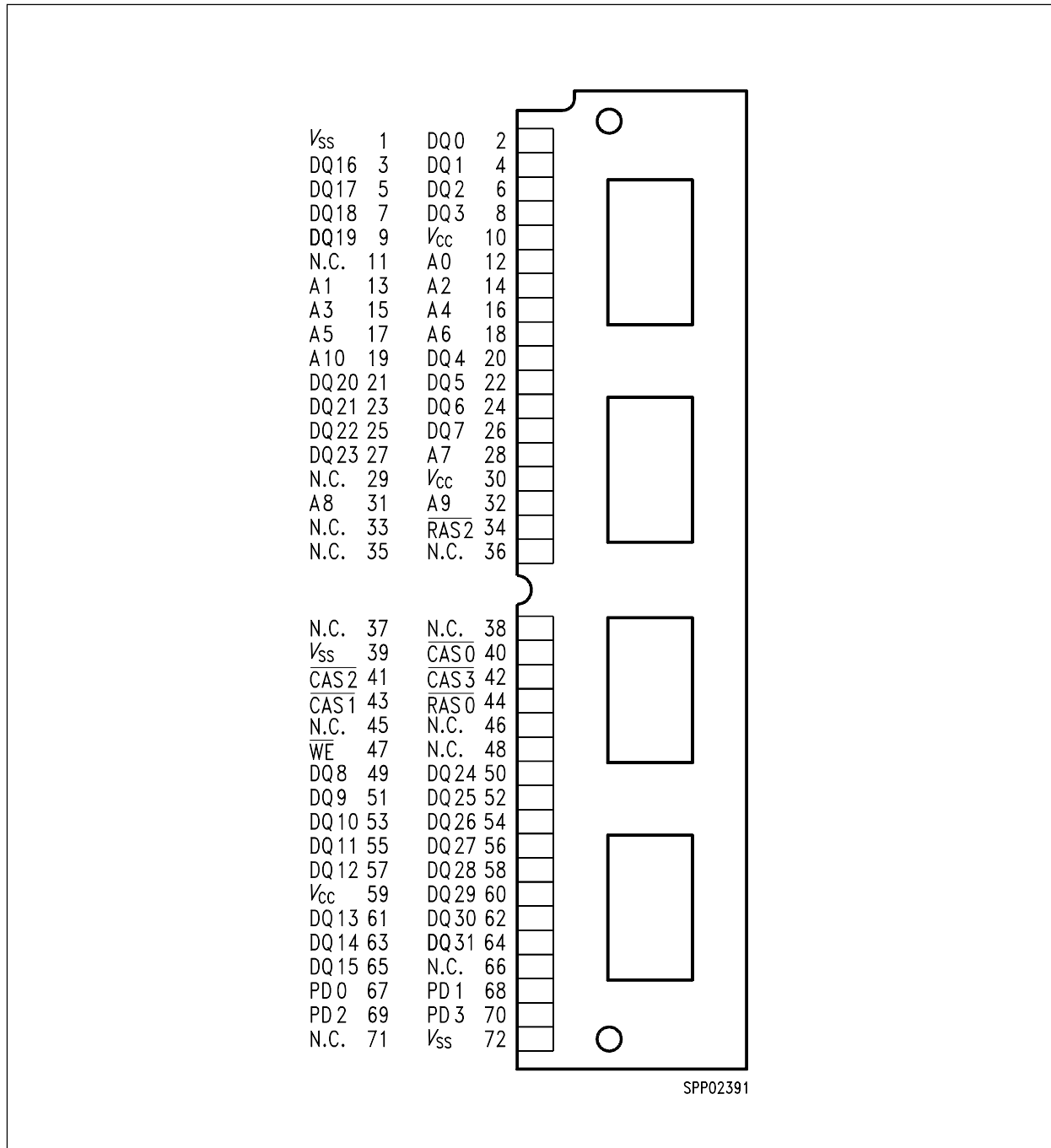
### Pin Definitions and Functions

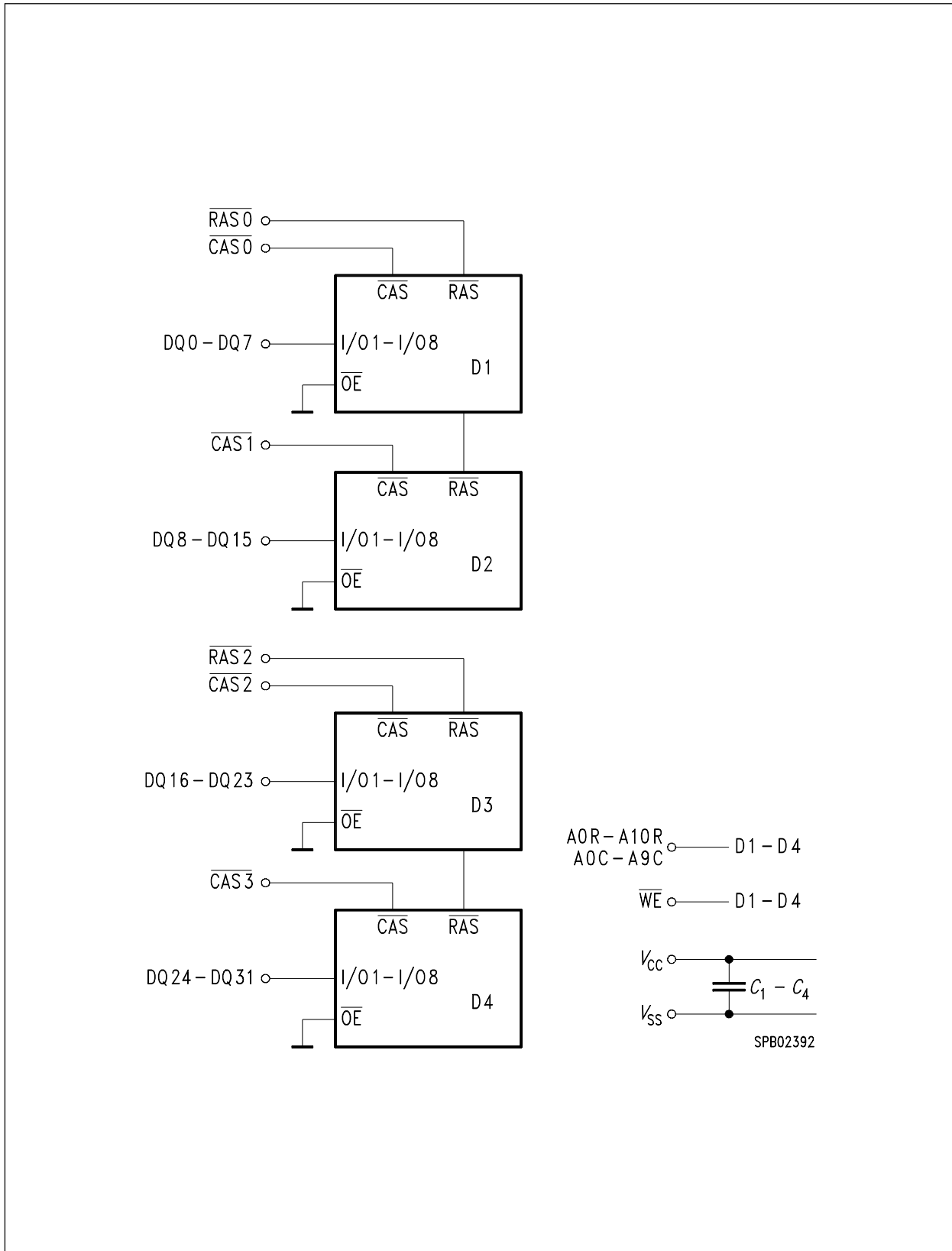
Pin No.	Function
A0R-A10R	Row Address Inputs
A0C-A9C	Column Address Inputs
DQ0-DQ31	Data Input/Output
$\overline{\text{CAS0}} - \overline{\text{CAS3}}$	Column Address Strobe
$\overline{\text{RAS0}}, \overline{\text{RAS2}}$	Row Address Strobe
$\overline{\text{WE}}$	Read/Write Input
$V_{\text{CC}}$	Power (+ 5 V)
$V_{\text{SS}}$	Ground
PD	Presence Detect Pin
N.C.	No Connection

### Presence Detect Pins

	-60	-70
PD0	N.C.	N.C.
PD1	N.C.	N.C.
PD2	N.C.	$V_{\text{SS}}$
PD3	N.C.	N.C.

**Pin Configuration**  
(top view)





**Block Diagram**

### Absolute Maximum Ratings

Operation temperature range .....	0 to + 70 °C
Storage temperature range.....	– 55 to 125 °C
Soldering temperature .....	260 °C
Soldering time .....	10 s
Input/output voltage .....	– 0.5 V to min ( $V_{CC} + 0.5, 7.0$ ) V
Power supply voltage.....	– 1 to + 7 V
Power dissipation.....	4.2 W
Data out current (short circuit) .....	50 mA

**Note:**Stresses above those listed under "Absolute Maximum Ratings" may cause permanent damage of the device. Exposure to absolute maximum rating conditions for extended periods may affect device reliability.

### DC Characteristics<sup>1)</sup>

$T_A = 0$  to 70 °C,  $V_{CC} = 5$  V ± 10 %

Parameter	Symbol	Limit Values		Unit	Test Condition
		min.	max.		
Input high voltage	$V_{IH}$	2.4	$V_{CC} + 0.5$	V	
Input low voltage	$V_{IL}$	– 0.5	0.8	V	
Output high voltage ( $I_{OUT} = -5$ mA)	$V_{OH}$	2.4	–	V	
Output low voltage ( $I_{OUT} = 4.2$ mA)	$V_{OL}$	–	0.4	V	
Input leakage current ( $0$ V < $V_{IN} < 6.5$ V, all other pins = 0 V)	$I_{I(L)}$	– 10	10	μA	
Output leakage current (DO is disabled, $0$ V < $V_{OUT} < 5.5$ V)	$I_{O(L)}$	– 10	10	μA	
Average $V_{CC}$ supply current (RAS, CAS, address cycling, $t_{RC} = t_{RC}$ min) –60 version –70 version	$I_{CC1}$	–	550 500	mA mA	<sup>2)</sup> <sup>3)</sup>
Standby $V_{CC}$ supply current (RAS = CAS = $V_{IH}$ )	$I_{CC2}$	–	8	mA	
Average $V_{CC}$ supply current during RAS only refresh cycles (RAS cycling, CAS = $V_{IH}$ , $t_{RC} = t_{RC}$ min) –60 version –70 version	$I_{CC3}$	–	550 500	mA mA	<sup>2)</sup>

## DC Characteristics<sup>1)</sup> (cont'd)

Parameter	Symbol	Limit Values		Unit	Test Condition
		min.	max.		
Average $V_{CC}$ supply current during fast page mode ( $\overline{RAS} = V_{IL}$ , $\overline{CAS}$ , address cycling, $t_{PC} = t_{PC \text{ min}}$ ) -60 version -70 version	$I_{CC4}$	– –	550 500	mA mA	<sup>2)</sup> <sup>3)</sup>
Standby $V_{CC}$ supply current ( $\overline{RAS} = \overline{CAS} = V_{CC} - 0.2 \text{ V}$ )	$I_{CC5}$	–	4	mA	
Average $V_{CC}$ supply current during CAS-before-RAS refresh mode ( $\overline{RAS}$ , $\overline{CAS}$ cycling, $t_{RC} = t_{RC \text{ min}}$ ) -60 version -70 version	$I_{CC6}$	– –	600 550	mA mA	<sup>2)</sup>

## Capacitance

$T_A = 0 \text{ to } 70 \text{ }^\circ\text{C}$ ,  $V_{CC} = 5 \text{ V} \pm 10 \%$ ,  $f = 1 \text{ MHz}$

Parameter	Symbol	Limit Values		Unit
		min.	max.	
Input capacitance (A0 to A11)	$C_{11}$	–	40	pF
Input capacitance ( $\overline{RAS0}$ , $\overline{RAS2}$ )	$C_{12}$	–	45	pF
Input capacitance ( $\overline{CAS0}$ - $\overline{CAS3}$ )	$C_{13}$	–	45	pF
Input capacitance ( $\overline{WE}$ )	$C_{14}$	–	45	pF
I/O capacitance (DQ0-DQ31)	$C_{10}$	–	25	pF

### AC Characteristics <sup>4) 5)</sup>

$T_A = 0$  to  $70$  °C,  $V_{CC} = 5$  V  $\pm$  10 %,  $t_T = 5$  ns

Parameter	Symbol	Limit Values				Unit
		HYM 322030S/GS-60		HYM 322030S/GS-70		
		min.	max.	min.	max.	
Random read or write cycle time	$t_{RC}$	110	–	130	–	ns
Fast page mode cycle time	$t_{PC}$	40	–	45	–	ns
Access time from $\overline{RAS}$ <sup>6) 11) 12)</sup>	$t_{RAC}$	–	60	–	70	ns
Access time from $\overline{CAS}$ <sup>6) 11)</sup>	$t_{CAC}$	–	15	–	20	ns
Access time from column address <sup>6) 12)</sup>	$t_{AA}$	–	30	–	35	ns
Access time from $\overline{CAS}$ precharge <sup>6)</sup>	$t_{CPA}$	–	35	–	40	ns
$\overline{CAS}$ to output in low-Z <sup>6)</sup>	$t_{CLZ}$	0	–	0	–	ns
Output buffer turn-off delay <sup>7)</sup>	$t_{OFF}$	0	20	0	20	ns
Transition time (rise and fall) <sup>5)</sup>	$t_T$	3	50	3	50	ns
$\overline{RAS}$ precharge time	$t_{RP}$	40	–	50	–	ns
$\overline{RAS}$ pulse width	$t_{RAS}$	60	10000	70	10000	ns
$\overline{RAS}$ pulse width (fast page mode)	$t_{RASP}$	60	200000	70	200000	ns
$\overline{CAS}$ precharge to $\overline{RAS}$ delay	$t_{RHCP}$	35	–	40	–	ns
$\overline{RAS}$ hold time	$t_{RSH}$	15	–	20	–	ns
$\overline{CAS}$ hold time	$t_{CSH}$	60	–	70	–	ns
$\overline{CAS}$ pulse width	$t_{CAS}$	15	10000	20	10000	ns
$\overline{RAS}$ to $\overline{CAS}$ delay time <sup>11)</sup>	$t_{RCD}$	20	45	20	50	ns
$\overline{RAS}$ to column address delay time <sup>12)</sup>	$t_{RAD}$	15	30	15	35	ns
$\overline{CAS}$ to $\overline{RAS}$ precharge time	$t_{CRP}$	5	–	5	–	ns
$\overline{CAS}$ precharge time (fast page mode)	$t_{CP}$	10	–	10	–	ns
Row address setup time	$t_{ASR}$	0	–	0	–	ns
Row address hold time	$t_{RAH}$	10	–	10	–	ns
Column address setup time	$t_{ASC}$	0	–	0	–	ns
Column address hold time	$t_{CAH}$	15	–	15	–	ns

### AC Characteristics<sup>4) 5)</sup> (cont'd)

$T_A = 0$  to  $70$  °C,  $V_{CC} = 5$  V  $\pm$  10 %,  $t_T = 5$  ns

Parameter	Symbol	Limit Values				Unit
		HYM 322030S/GS-60		HYM 322030S/GS-70		
		min.	max.	min.	max.	
Column address to $\overline{\text{RAS}}$ lead time	$t_{\text{RAL}}$	30	–	35	–	ns
Read command setup time	$t_{\text{RCS}}$	0	–	0	–	ns
Read command hold time <sup>8)</sup>	$t_{\text{RCH}}$	0	–	0	–	ns
Read command hold time ref. to $\overline{\text{RAS}}$ <sup>8)</sup>	$t_{\text{RRH}}$	0	–	0	–	ns
Write command hold time	$t_{\text{WCH}}$	10	–	15	–	ns
Write command pulse width	$t_{\text{WCP}}$	10	–	15	–	ns
Write command to $\overline{\text{RAS}}$ lead time	$t_{\text{RWL}}$	15	–	20	–	ns
Write command to $\overline{\text{CAS}}$ lead time	$t_{\text{CWL}}$	15	–	20	–	ns
Data setup time <sup>9)</sup>	$t_{\text{DS}}$	0	–	0	–	ns
Data hold time <sup>9)</sup>	$t_{\text{DH}}$	15	–	15	–	ns
Refresh period	$t_{\text{REF}}$	–	32	–	32	ms
Write command setup time <sup>10)</sup>	$t_{\text{WCS}}$	0	–	0	–	ns
$\overline{\text{CAS}}$ setup time <sup>13)</sup>	$t_{\text{CSR}}$	10	–	10	–	ns
$\overline{\text{CAS}}$ hold time <sup>13)</sup>	$t_{\text{CHR}}$	10	–	10	–	ns
$\overline{\text{RAS}}$ to $\overline{\text{CAS}}$ precharge time	$t_{\text{RPC}}$	5	–	5	–	ns
$\overline{\text{CAS}}$ precharge time	$t_{\text{CP}}$	10	–	10	–	ns
Write to $\overline{\text{RAS}}$ precharge time <sup>13)</sup>	$t_{\text{WRP}}$	10	–	10	–	ns
Write hold time ref. to $\overline{\text{RAS}}$ <sup>13)</sup>	$t_{\text{WRH}}$	10	–	10	–	ns



**Notes**

- 1) All voltages are referenced to  $V_{SS}$ .
- 2)  $I_{CC1}$ ,  $I_{CC3}$ ,  $I_{CC4}$  and  $I_{CC6}$  depend on cycle rate.
- 3)  $I_{CC1}$  and  $I_{CC4}$  depend on output loading.  
Specified values are measured with the output open.
- 4) An initial pause of 200  $\mu$ s is required after power-up followed by 8  $\overline{\text{RAS}}$  cycles out of which at least one cycle has to be a refresh cycle before proper device operation is achieved. In case of using internal refresh counter, a minimum of 8  $\overline{\text{CAS}}$ -before- $\overline{\text{RAS}}$  initialization cycles instead of 8  $\overline{\text{RAS}}$  cycles are required.
- 5)  $V_{IH(\text{max})}$  and  $V_{IL(\text{max})}$  are reference levels for measuring timing of input signals.  
Transition times are also measured between  $V_{IH}$  and  $V_{IL}$ .
- 6) Measured with a load equivalent of 2 TTL loads and 100 pF.
- 7)  $t_{OFF(\text{max})}$  defines the time at which the output achieves the open-circuit condition and is not referenced to output voltage levels.
- 8) Either  $t_{RCH}$  or  $t_{RRH}$  must be satisfied for a read cycle.
- 9) These parameters are referenced to the  $\overline{\text{CAS}}$  leading edge.
- 10)  $t_{WCS}$  is not a restrictive operating parameter. This is included in the data sheet as electrical characteristic only.  
If  $t_{WCS} > t_{WCS(\text{min})}$ , the cycle is an early write cycle and data out pin will remain open (high impedance).
- 11) Operation within the  $t_{RCD(\text{max})}$  limit insures that  $t_{RAC(\text{max})}$  can be met.  $t_{RCD(\text{max})}$  is specified as a reference point only. If  $t_{RCD}$  is greater than the specified  $t_{RCD(\text{max})}$  limit, then access time is controlled by  $t_{CAS}$ .
- 12) Operation within the  $t_{RAD(\text{max})}$  limit insures that  $t_{RAC(\text{max})}$  can be met.  $t_{RAD(\text{max})}$  is specified as a reference point only. If  $t_{RAD}$  is greater than the specified  $t_{RAD(\text{max})}$  limit, then access time is controlled by  $t_{AA}$ .
- 13) For  $\overline{\text{CAS}}$ -before- $\overline{\text{RAS}}$  cycles only.