

PLEASE CHECK WWW.MOLEX.COM FOR LATEST PART INFORMATION

Part Number: [0908003020](#)
Status: **Active**
Description: 1.27mm (.050") Pitch Picoflex® PF-50 Header, Right Angle, Low Profile, with Kinked PC Tails, 0.76µm (30µ") Gold (Au) Selective Plating, 20 Circuits

Documents:

[3D Model](#)
[Drawing \(PDF\)](#)

[RoHS Certificate of Compliance \(PDF\)](#)

General

| | |
|----------------|-----------------------|
| Product Family | PCB Headers |
| Series | 90800 |
| Application | Wire-to-Board |
| Product Name | Picoflex® |

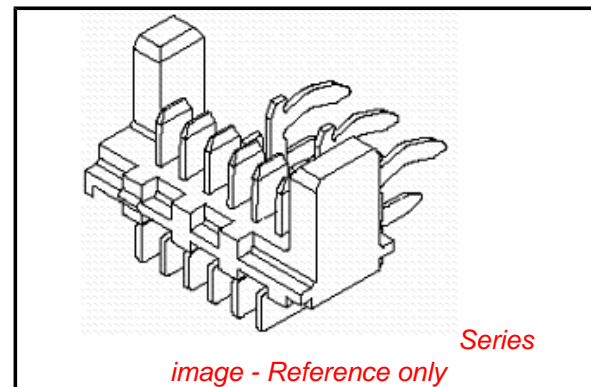
Physical

| | |
|--------------------------------|---------------------------|
| Breakaway | No |
| Circuits (Loaded) | 20 |
| Color - Resin | Black |
| Durability (mating cycles max) | 100 |
| First Mate / Last Break | No |
| Glow-Wire Compliant | No |
| Guide to Mating Part | No |
| Keying to Mating Part | None |
| Lock to Mating Part | Yes |
| Material - Metal | Brass |
| Material - Plating Mating | Gold |
| Material - Resin | Polyester |
| Number of Rows | 1 |
| Orientation | Vertical |
| PCB Locator | No |
| PCB Retention | Yes |
| PCB Thickness Recommended (in) | 0.063 In |
| PCB Thickness Recommended (mm) | 1.60 mm |
| Packaging Type | Tube |
| Pitch - Mating Interface (in) | 0.050 In |
| Pitch - Mating Interface (mm) | 1.27 mm |
| Pitch - Term. Interface (in) | 0.050 In |
| Pitch - Term. Interface (mm) | 1.27 mm |
| Plating min: Mating (µin) | 30.4 |
| Plating min: Mating (µm) | 0.76 |
| Plating min: Termination (µin) | 4 |
| Plating min: Termination (µm) | 0.1 |
| Polarized to Mating Part | Yes |
| Polarized to PCB | No |
| Shrouded | Open Ends |
| Stackable | No |
| Surface Mount Compatible (SMC) | No |
| Temperature Range - Operating | -40°C to +105°C |
| Termination Interface: Style | Through Hole - Kinked Pin |

Electrical

| | |
|-------------------------------|------------|
| Current - Maximum per Contact | 1.2A |
| Voltage - Maximum | 250V AC/DC |

Solder Process Data



EU RoHS

**ELV and RoHS
Compliant**
**REACH SVHC
Contains SVHC: No**
**Halogen-Free
Status**
Not Reviewed

China RoHS



**Need more information on product
environmental compliance?**

Email productcompliance@molex.com
 For a multiple part number RoHS Certificate of Compliance, [click here](#)

Please visit the [Contact Us](#) section for any non-product compliance questions.

Search Parts in this Series

[90800Series](#)

Mates With

[90327 IDT Connector](#)

Lead-free Process Capability

Wave Capable (TH only)

Material Info

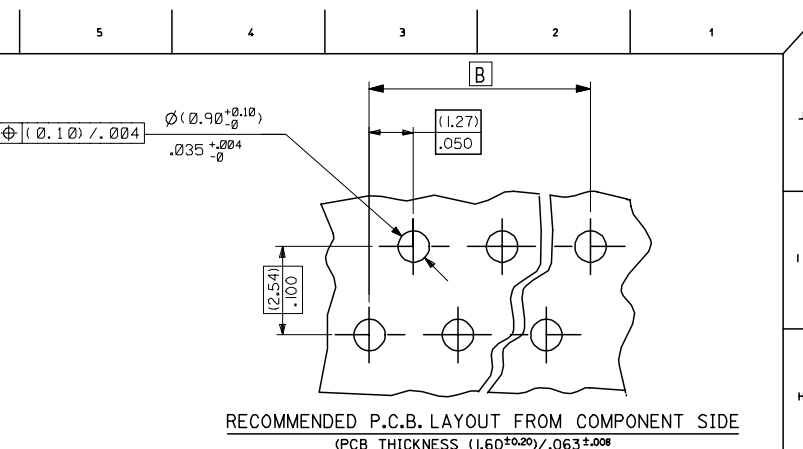
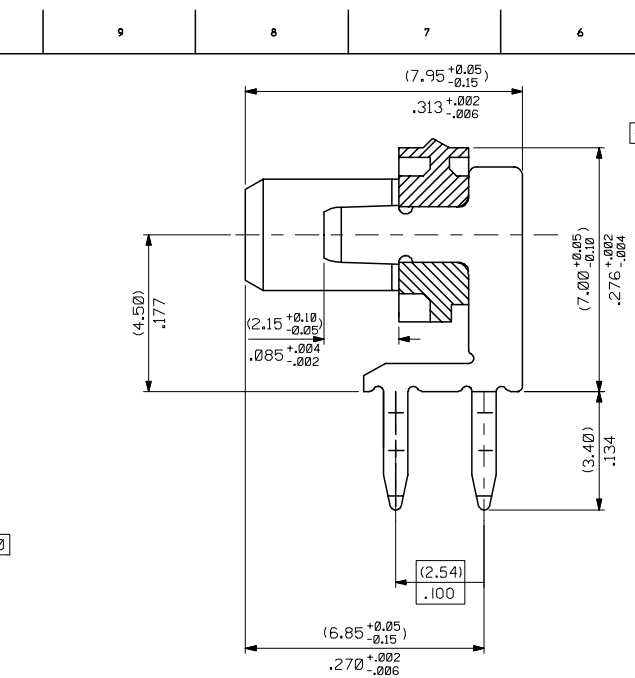
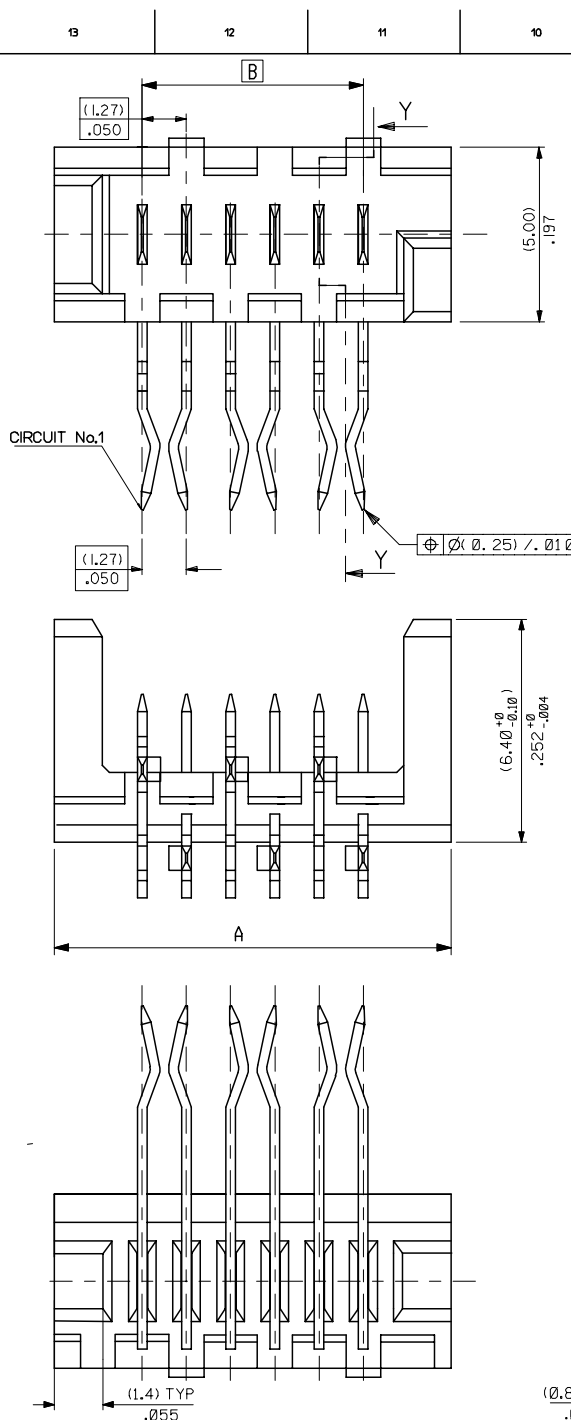
Reference - Drawing Numbers

Sales Drawing

SDA-90800E

This document was generated on 04/23/2010

PLEASE CHECK WWW.MOLEX.COM FOR LATEST PART INFORMATION



90800 - * 0 **
 CIRCUIT SIZE
 0= (3-5UM) / 120-200UIN TIN VERSION
 3= (0.76UM) / 30UIN GOLD VERSION

| PART NO. | NO. OF CKTS | DIMN. A | DIMN. B | QTY PER TUBE | TOOLED |
|-----------|-------------|-----------------|-----------------|--------------|--------|
| 90800-026 | 26 | (36.80) / 1.449 | (31.75) / 1.250 | 14 | YES |
| 90800-024 | 24 | (34.26) / 1.349 | (29.21) / 1.150 | 15 | YES |
| 90800-022 | 22 | (31.72) / 1.249 | (26.67) / 1.050 | 16 | YES |
| 90800-020 | 20 | (29.18) / 1.149 | (24.13) / .950 | 18 | YES |
| 90800-018 | 18 | (26.64) / 1.049 | (21.59) / .850 | 20 | YES |
| 90800-016 | 16 | (24.10) / .949 | (19.05) / .750 | 22 | YES |
| 90800-014 | 14 | (21.56) / .849 | (16.51) / .650 | 24 | YES |
| 90800-012 | 12 | (19.02) / .749 | (13.97) / .550 | 28 | YES |
| 90800-010 | 10 | (16.48) / .649 | (11.43) / .450 | 32 | YES |
| 90800-008 | 8 | (13.94) / .549 | (8.89) / .350 | 38 | YES |
| 90800-006 | 6 | (11.40) / .449 | (6.35) / .250 | 46 | YES |
| 90800-004 | 4 | (8.86) / .349 | (3.81) / .150 | 59 | YES |

NOTES:
 1) MATERIAL: HOUSING*POLYESTER PBT 15% G.F.,UL 94 V-0, BLACK.
 TERMINAL- CARTRIDGE BRASS (0.28) / .011 REF THICK
 2) SEE PRODUCT SPECIFICATION PS-99020-0011.

| | | | | | | |
|--------------------------------------------------------------------------------------------------------------------------------------|------------------------------------------------------|------------------------------------------------------------------------------------------------------------------------------------------------------------------|---------------------------------------------------------------------------------------------------------------------------------|-------------------------------------------------------------------|----------------------------------------------------------------------------------------------------------------------------------------------|---------------------|
| ADD CKT.1 INDICATOR EC NO: E2007-0083 DRW: MASZKIEWICZ 2006/09/11 CHK: J. DENNEHY 2006/09/11 APPR: J. DENNEHY 2006/09/13 | QUALITY SYMBOLS ▽=0 ▽=0 | GENERAL TOLERANCES (UNLESS SPECIFIED) mm INCH 4 PLACES ± --- ± --- 3 PLACES ± --- ±.004 2 PLACES ±0.10 ± --- 1 PLACE ± --- ± --- ANGULAR ±1/2° | DIMENSION STYLE MM ONLY DRAWN BY DATE PK 1994/01/28 CHECKED BY DATE J. DENNEHY APPROVED BY DATE J. DENNEHY | SCALE 10:1 DESIGN UNITS METRIC THIRD ANGLE PROJECTION | TITLE RIGHT ANGLE STRAGGERED PICO FLEX HEADER ASSY (1.25) / .050 CENTRES MOLEX INCORPORATED MATERIAL NO. SDA-90800E DOCUMENT NO. | SHEET NO. 1 OF 1 |
| | DRAFT WHERE APPLICABLE MUST REMAIN WITHIN DIMENSIONS | SEE CHART | THIS DRAWING CONTAINS INFORMATION THAT IS PROPRIETARY TO MOLEX INCORPORATED AND SHOULD NOT BE USED WITHOUT WRITTEN PERMISSION | | | |