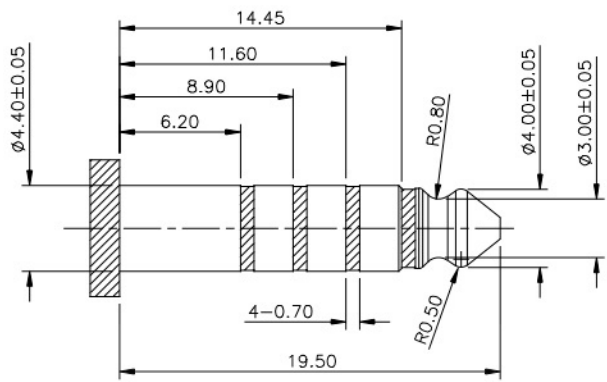
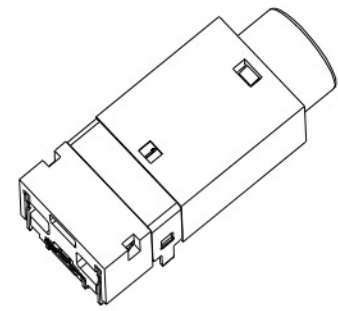
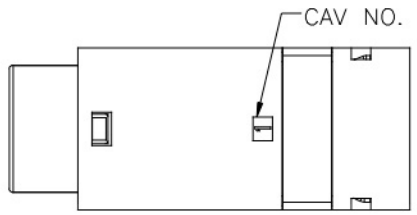


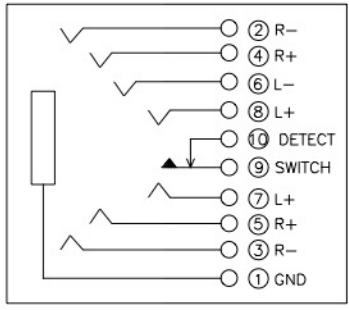
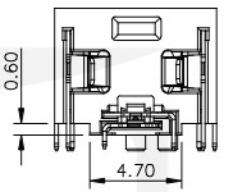
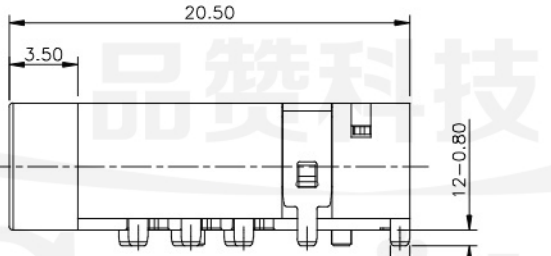
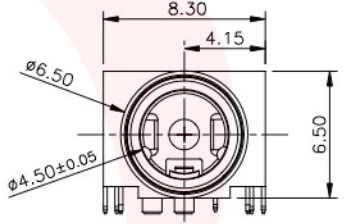
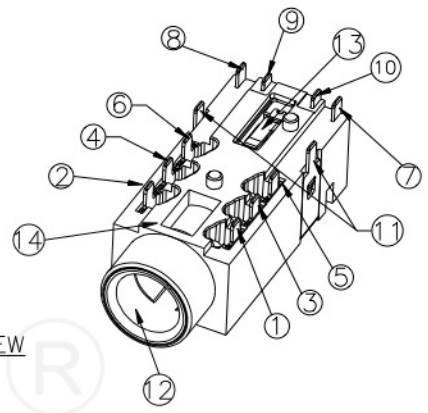
REVISIONS					
REV.	ECN NO.	LOCATION	DESCRIPTION	DATE	DESIGN
AO	N/A		INITIAL RELEASE	2019.09.10	李斌



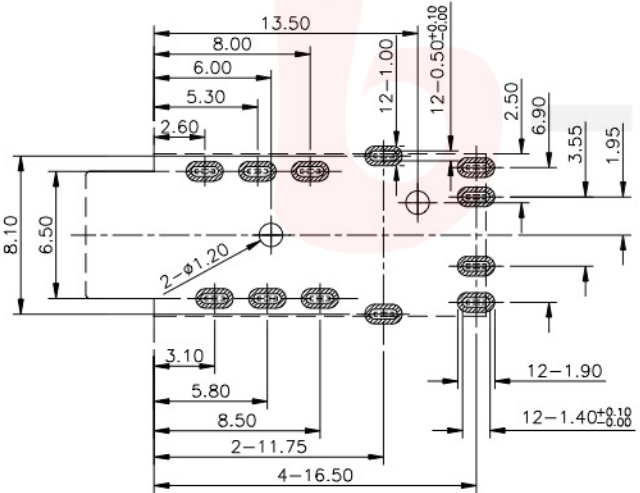
(ø4.40mm 5 POLE PLUG DETAIL DRAWING)



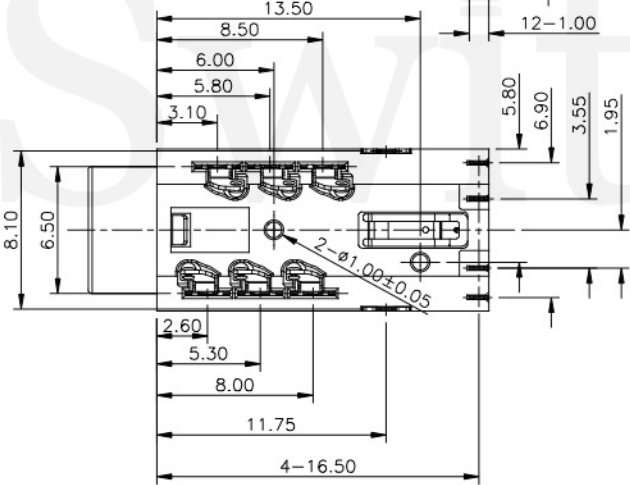
3D VIEW



SCHEMATIC



RECOMMENDED PCB LAYOUT TOP VIEW TOL:±0.05



技术要求:

- 电气及机械特性要求如下:
  - 接触阻抗: 50mΩ以下;
  - 绝缘阻抗: 100MΩ以上;
  - 耐电压: 500V AC以上;
  - 耐插拔: 5,000次以上;
  - 插入力: 0.5~2.5kgf (5~25N);
  - 拔出力: 0.5~2.5kgf (5~25N).
- 除特殊说明外, 无标示的尺寸均为参考尺寸;
- 产品符合RoHS环保标准要求.



ITEM	PART NAME	Q'TY	MATERIAL	DESCRIPTION
14	HOUSING	1 PCS	HIGH TEMPERATURE PLASTIC	BLACK COLOR,UL94V-HB
13	INSULATOR	1 PCS	HIGH TEMPERATURE PLASTIC	BLACK COLOR,UL94V-HB
12	SOCKET	1 PCS	BRASS T=0.25mm	GOLD FLASH
11	CONTACT H	1 PCS	PHOSPHOR BRONZE T=0.20mm	Ni PLATED
10	CONTACT G	1 PCS	PHOSPHOR BRONZE T=0.20mm	CONTACT:2u" Au/SOLDER:1u"Au
09	CONTACT F	1 PCS	PHOSPHOR BRONZE T=0.20mm	CONTACT:2u" Au/SOLDER:1u"Au
08	CONTACT E	1 PCS	STAINLESS STEEL T=0.20mm	CONTACT:2u" Au/SOLDER:1u"Au
07	CONTACT D	1 PCS	STAINLESS STEEL T=0.20mm	CONTACT:2u" Au/SOLDER:1u"Au
01-06	CONTACT B	6 PCS	PHOSPHOR BRONZE T=0.20mm	CONTACT:2u" Au/SOLDER:1u"Au

品赞科技®

## G-Switch Electronic (HongKong) CO.,Ltd.

Unless Otherwise specified, Tolerance: X. ±0.30 X.x ±0.20 X.xx ±0.15 X.xxx ±0.10 ANGLES ±3°	DESIGN: Feng CHEN	DATE: 2020.07.10	TITLE:	
	CHECKED:	DATE:	4.4mmPHONE JACK CUSTOMER DRAWING	
	APPROVED:	DATE:		
	PART NO.: GT-3321667P-01		REV.: A0	SCALE: 2.5:1
DRAWING NO.: C-GT03321667P-01		SIZE: A4	SHEET: 1/1	