

PLEASE CHECK WWW.MOLEX.COM FOR LATEST PART INFORMATION

Part Number: [0850130385](#)
Status: **Active**
Overview: [din_41612](#)
Description: 2.54mm (.100") Pitch DIN 41612 Header, Vertical, C-Pin Press-Fit Style R/2 Reverse, 1µm (40µ") Selective Gold (Au), 48 Circuits, Lead free

Documents:

[3D Model](#) [Product Specification PS-85013-0002 \(PDF\)](#)
[Drawing \(PDF\)](#) [RoHS Certificate of Compliance \(PDF\)](#)

Agency Certification

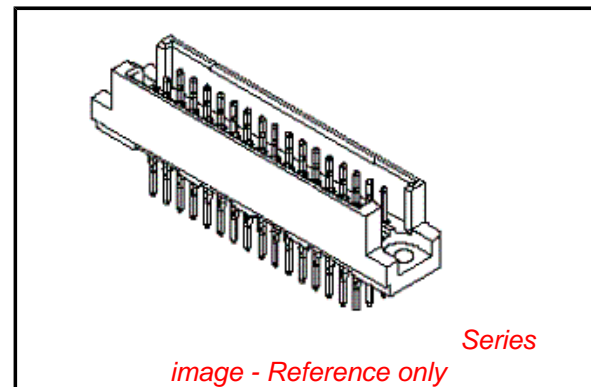
CSA LR19980
 UL E29179

General

Product Family Backplane Connectors
 Series [85013](#)
 Application Backplane
 Component Type PCB Header
 Overview [din_41612](#)
 Product Name IEC 603-2/DIN 41612
 Style R/2

Physical

Circuits (Loaded) 48
 Circuits (maximum) 48
 Circuits Detail Rows A, B, & C
 Color - Resin Gray
 Durability (mating cycles max) 500
 First Mate / Last Break No
 Flammability 94V-0
 Guide to Mating Part No
 Keying to Mating Part Yes
 Material - Metal Phosphor Bronze
 Material - Plating Mating Unplated
 Material - Plating Termination Unplated
 Material - Resin Polyester
 Number of Columns 16
 Number of Pairs Open Pin Field
 Number of Rows 3
 Orientation Vertical
 PC Tail Length (in) 0.228 In
 PC Tail Length (mm) 5.80 mm
 PCB Locator No
 PCB Retention Yes
 PCB Thickness Recommended (in) 0.062 In
 PCB Thickness Recommended (mm) 1.60 mm
 Packaging Type Tray
 Pitch - Mating Interface (in) 0.100 In
 Pitch - Mating Interface (mm) 2.54 mm
 Pitch - Term. Interface (in) 0.100 In
 Pitch - Term. Interface (mm) 2.54 mm
 Plating min: Mating (µin) 39
 Plating min: Mating (µm) 1
 Surface Mount Compatible (SMC) No
 Temperature Range - Operating -55°C to +125°C



EU RoHS

ELV and RoHS Compliant
REACH SVHC
 Not Reviewed
Halogen-Free Status
 Not Reviewed

China RoHS



Need more information on product environmental compliance?

Email productcompliance@molex.com
 For a multiple part number RoHS Certificate of Compliance, [click here](#)

Please visit the [Contact Us](#) section for any non-product compliance questions.

Search Parts in this Series

[85013Series](#)

Mates With

[85042](#) DIN 41612 Receptacle . [85052](#) DIN 41612 Header

Use With

[85089-1055](#) Press-in Tool

Termination Interface: Style

Through Hole - Compliant Pin

Electrical

Current - Maximum per Contact

1A

Data Rate

622.0 Mbps

Voltage - Maximum

1000V (RMS)

Material Info

Reference - Drawing Numbers

Packaging Specification

PK-85013-002

Product Specification

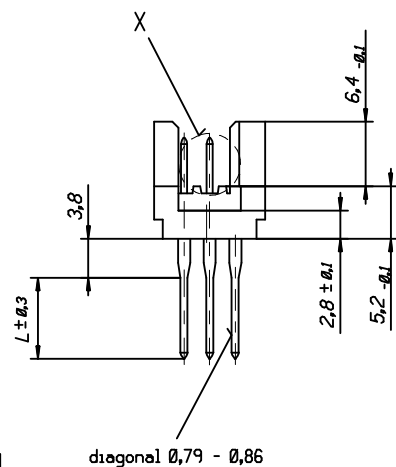
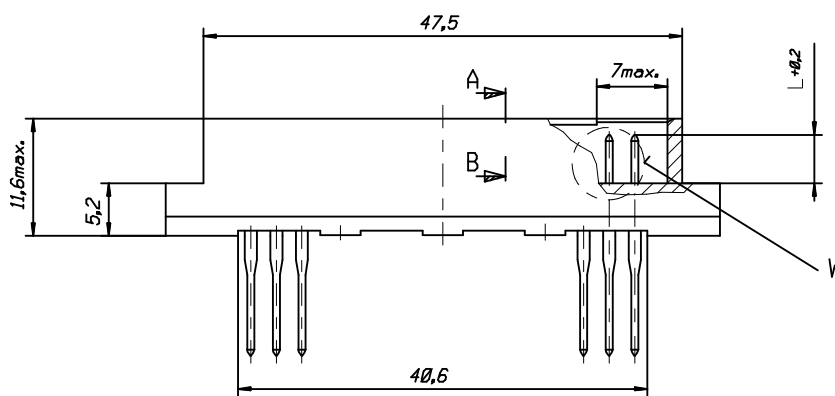
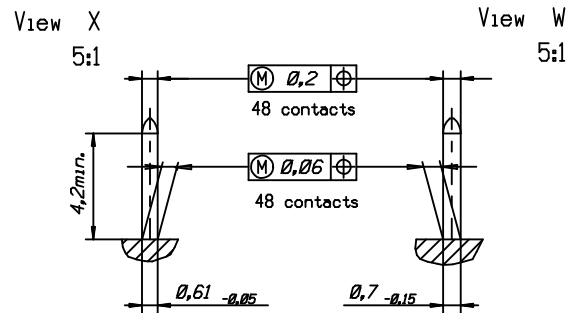
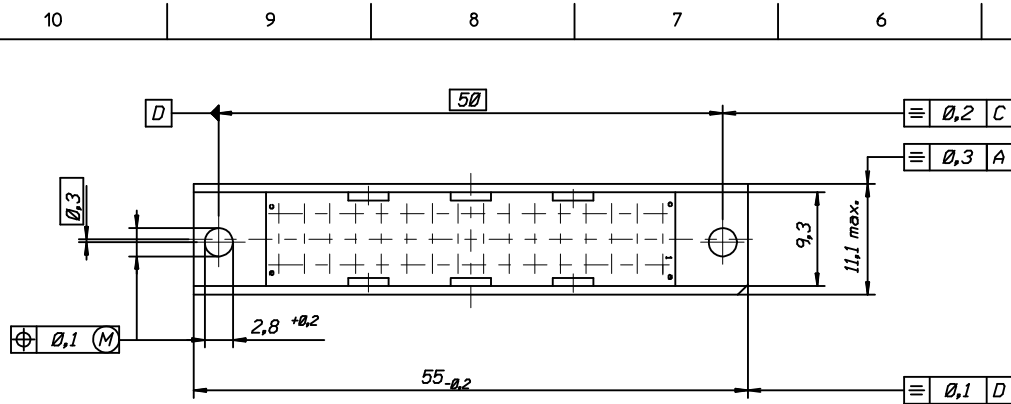
PS-85013-0002

Sales Drawing

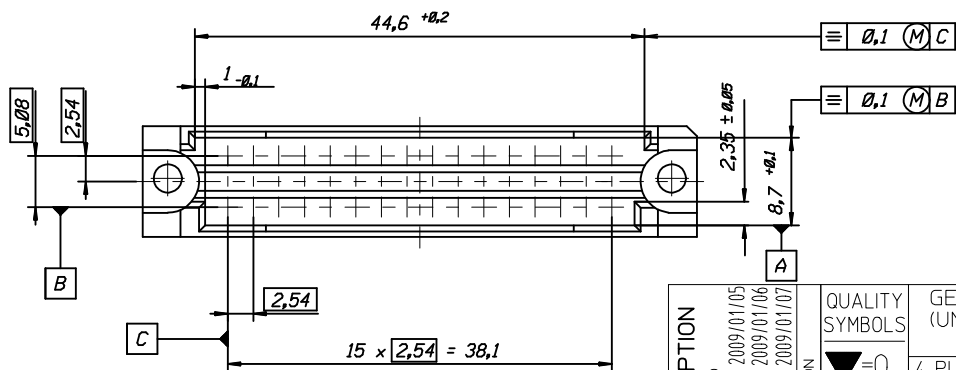
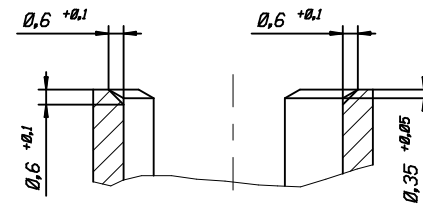
609-6043-201, SDA-85013-0385

This document was generated on 05/17/2010

PLEASE CHECK WWW.MOLEX.COM FOR LATEST PART INFORMATION



Section A - B
5:1



REV	DESCRIPTION	DATE
1	ENTER DESCRIPTION	2009/01/05
2	EC NO: I2009-0276	2009/01/06
3	DRW: P.J.T	2009/01/06
4	CHKD: K.PRASAD	2009/01/07
5	APPR: K.PRASAD	2009/01/07

QUALITY SYMBOLS	DESCRIPTION
$\nabla = 0$	
$\nabla C = 0$	

GENERAL TOLERANCES (UNLESS SPECIFIED)	
mm	INCH
4 PLACES	\pm ---
3 PLACES	\pm ---
2 PLACES	\pm ---
1 PLACE	\pm ---
ANGULAR \pm ---°	
DRAFT WHERE APPLICABLE MUST REMAIN WITHIN DIMENSIONS	

DIMENSION STYLE	
MM ONLY	
DRAWN BY	DATE
ER	1992/12/16
CHECKED BY	DATE
KN	1992/12/16
APPROVED BY	DATE
KN	1992/12/16
MATERIAL NO.	
SEE TABLE	
SIZE	
A3	

SCALE	DESIGN UNITS	FIRST ANGLE PROJECTION	
2:1	METRIC		
TITLE			
48POS.MALE CONNECTOR DIN 41612 STYLE (C-PIN) DIMENSIONS			
MATERIAL NO.		DOCUMENT NO.	
SEE TABLE		609-6043-201	
SHEET NO.			
1 OF 4			

48P-6043-....-6	85013-....	Wire wrap 16, 4
48P-6043-071L-7	85013-2220	yes	1/1	Wire wrap 13, 3	1, 2, 3...16	a+b+c
48P-6043-051L-7	85013-2218	yes	1/1	Wire wrap 13, 3	1, 2, 3...16	a+c
48P-6043-071V-7	85013-2206	yes	1	Wire wrap 13, 3	1, 2, 3...16	a+b+c
48P-6043-051V-7	85013-2191	yes	1	Wire wrap 13, 3	1, 2, 3...16	a+c
48P-6043-071L-8	85013-2189	yes	1/1	Wire wrap 9, 4	1, 2, 3...16	a+b+c
48P-6043-051L-8	85013-2177	yes	1/1	Wire wrap 9, 4	1, 2, 3...16	a+c
48P-6043-071V-8	85013-2165	yes	1	Wire wrap 9, 4	1, 2, 3...16	a+b+c
48P-6043-051V-8	85013-2153	yes	1	Wire wrap 9, 4	1, 2, 3...16	a+c
48P-6043-072V-7	85013-1029	yes	2	Wire wrap 13, 3	1, 2, 3...16	a+b+c
48P-6043-0731-8	85013-0232	no	2	Wire wrap 9, 4	1, 2, 3...16	a+b+c
48P-6043-072V-8	85013-0086	yes	2	Wire wrap 9, 4	1, 2, 3...16	a+b+c
48P-6043-0522-9	85013-0294	no	1	----- 2	1, 2, 3...16	a+c
48P-6043-0722-9	85013-1500	no	1	----- 2	1, 2, 3...16	a+b+c
48P-6043-0731-9	85013-0658	no	2	----- 2	1, 2, 3...16	a+b+c
✓ 48P-6043-072V-9	85013-0098	yes	2	----- 2	1, 2, 3...16	a+b+c
✓ 48P-6043-052V-9	85013-0062	yes	2	----- 2	1, 2, 3...16	a+c
48P-6043-071V-9	85013-0385	yes	1	----- 2	1, 2, 3...16	a+b+c
48P-6043-051V-9	85013-1110	yes	1	----- 2	1, 2, 3...16	a+c
Engineering number	Ordering code	Molex std.	Perform.level hard gold acc.MIL-645204	Termination / L	Contact sequence / row	

ENTER DESCRIPTION EC NO: I2009-0276 DRW:NPJT 2009/01/05 CHKD:KPRASAD 2009/01/06 APPR:KPRASAD 2009/01/07 REV DESCRIPTION	QUALITY SYMBOLS	GENERAL TOLERANCES (UNLESS SPECIFIED)	DIMENSION STYLE	SCALE	DESIGN UNITS	FIRST ANGLE PROJECTION	
	▼=0 □=0	mm INCH	MM ONLY	---	METRIC		
		4 PLACES ± --- ± --- 3 PLACES ± --- ± --- 2 PLACES ± --- ± --- 1 PLACE ± --- ± ---	DRAWN BY DATE ER 1992/12/16	CHECKED BY DATE KN 1992/12/16	TITLE 48POS.MALE CONNECTOR DIN 41612 STYLE (C-PIN) DIMENSIONS		
		ANGULAR ± ---°	APPROVED BY DATE KN 1992/12/16	MOLEX INCORPORATED DOCUMENT NO. 609-6043-201 SHEET NO. 2 OF 00			
	DRAFT WHERE APPLICABLE MUST REMAIN WITHIN DIMENSIONS	ENTER PART	THIS DRAWING CONTAINS INFORMATION THAT IS PROPRIETARY TO MOLEX INCORPORATED AND SHOULD NOT BE USED WITHOUT WRITTEN PERMISSION				

- 1. General : Technical Data
48pos. Male connector acc.DIN 41612 style R/2
(C-Pin)
- 2. Material :
- 2.1 Moulding material : Thermoplastic Polyester GV30 grey RAL 7032
- 2.1.1 Moulding material
burning properties acc. to UL94 V0
- 2.1.2 Resistance against
solvents : good
- 2.2 Pin contact : CuSn
- 2.2.1 Contact plating : Performance level I or II (Test acc.DIN 41612 part.5)
- 3. Printing : Part.No., date of manufacturing

Sheet	Dwg Issue	Date	Name	Change	Remark
1	Dimens. B	93/08/10	Ca	lead in chamfer changed	
2	Ord.code A1	93/08/10	Ca	add. div. Ordering code	
3	Data A	93/08/10	Ca	change of sheet no.	

ENTER DESCRIPTION EC NO: I2009-0276 DRW: P.JT 2009/01/05 CHK: K.PRASAD 2009/01/06 APPR: K.PRASAD 2009/01/07	QUALITY SYMBOLS ▽=0 ◻=0	GENERAL TOLERANCES (UNLESS SPECIFIED)		DIMENSION STYLE MM ONLY		SCALE N.T.S	DESIGN UNITS METRIC	FIRST ANGLE PROJECTION	
			mm	INCH	DRAWN BY ER	DATE 1992/12/16	TITLE 48POS.MALE CONNECTOR DIN 41612 STYLE (C-PIN) DIMENSIONS		
		4 PLACES	± ---	± ---	CHECKED BY KN	DATE 1992/12/16	MOLEX INCORPORATED		
		3 PLACES	± ---	± ---	APPROVED BY KN	DATE 1992/12/16	MATERIAL NO.	DOCUMENT NO.	SHEET NO.
2 PLACES	± ---	± ---	ANGULAR ± ---°		SEE TABLE		609-6043-201	3 OF 4	
1 PLACE	± ---	± ---	DRAFT WHERE APPLICABLE MUST REMAIN WITHIN DIMENSIONS		THIS DRAWING CONTAINS INFORMATION THAT IS PROPRIETARY TO MOLEX INCORPORATED AND SHOULD NOT BE USED WITHOUT WRITTEN PERMISSION				

VIEW ON MATING SIDE

∩	A	A	A	A	A	A	A	A	A	A	A	A	A	A	A	A	A	A	A
∩	A	A	A	A	A	A	A	A	A	A	A	A	A	A	A	A	A	A	A
∩	A	A	A	A	A	A	A	A	A	A	A	A	A	A	A	A	A	A	A

1 2 3 4 5 6 7 8 9 10 11 12 13 14 15 16 17 18 19 20 21 22 23 24 25 26 27 28 29 30 31 32 33 34 35 36 37 38 39 40 41 42 43 44 45 46 47 48

A = 48 STANDARD CONTACTS L-2

Marking	Standard
Performance level	G1/0 = Contact area perform. level / Termination tin
Flux proof	no
Fixing clip	no
Dimensions	609-6043-201 sht.1
Technical Data	PS-85013-0002

A	G1/0	a1-16	b1-16	c1-16
Contact symbol	Perform. level	Contact position number		

ECN MC2000-0348 00-03-28 KN first release	REVISIONS		FOR PREVIOUS REVISIONS SEE MRI LIST	
	LTR	REVISIONS		
REVISE ONLY ON CAD SYSTEM	SH. REV.	CAD/CAM PROJECT NAME		
THIS DRAWING CONTAINS INFORMATION THAT IS PROPRIETARY TO MOLEX INC. & SHOULD NOT BE USED WITHOUT WRITTEN PERMISSION		TITLE		
48 pos. Male connector acc. DIN 41612 style R/2 contacts arrangement		SHEET NO. DATE 1 OF 1 00/03/28		
MOLEX EUROPE		PART NO. DWG NO.		
85013-0385		SDA-85013-0385		
SCALE		DESIGN DIMENSION <input checked="" type="checkbox"/> MM <input type="checkbox"/> IN. EQUIVALENT DIMENSION <input type="checkbox"/> MM <input type="checkbox"/> IN.		
UNLESS OTHERWISE SPECIFIED TOLERANCES: ANGULAR ± 2° INCH METRIC		DRAFT WHERE APPLICABLE MUST REMAIN WITHIN DIMENSIONS		
3 PLACE ± .		SIGN		
2 PLACE ± .		CHK'D BY ER		
1 PLACE ± .		APP'D BY FB		
DRIFT WHERE APPLICABLE MUST REMAIN WITHIN DIMENSIONS		SIGN		
DESIGN DIMENSION <input checked="" type="checkbox"/> MM <input type="checkbox"/> IN.		SCALE		
EQUIVALENT DIMENSION <input type="checkbox"/> MM <input type="checkbox"/> IN.		SIGN		
IF TWO DIMENSIONS ARE SHOWN, THE UPPER IS THE DESIGN DIMENSION, LOWER IS SECONDARY		SIGN		