

General Description

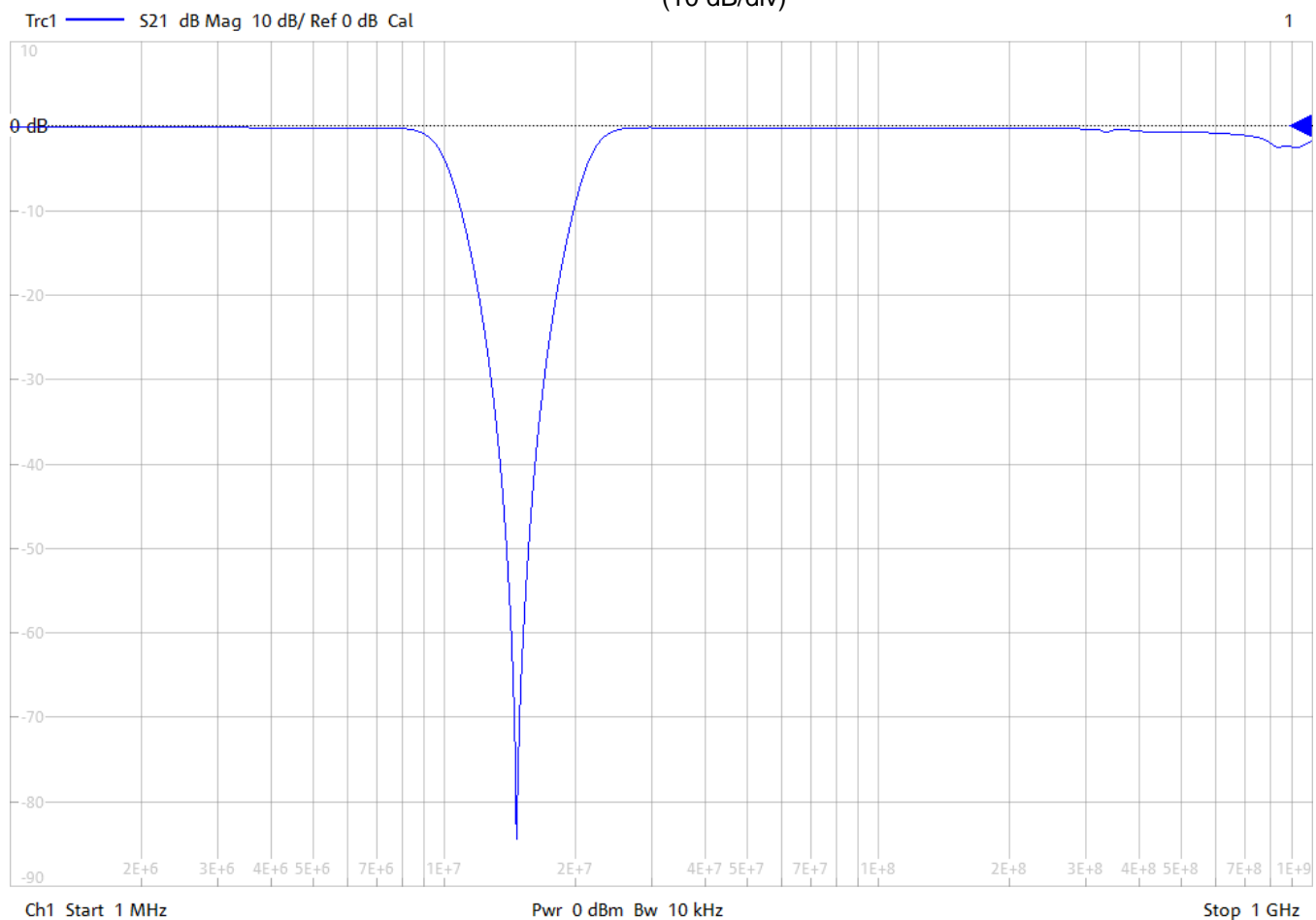
KR Electronics part number 3345-14.7-SMA is a 14.7 MHz notch filter. The filter has a typical 3 dB bandwidth of 12 MHz min. Other center frequencies and bandwidths are available. Please consult the factory.

Features

- 14.7 MHz Notch Filter
- 3 dB Bandwidth 12 MHz typical
- 50 Ω Source and Load
- SMA Connectors

Typical Performance

Overall Response (10 dB/div)



KR Electronics, Inc.
91 Avenel Street
Avenel, NJ 07001

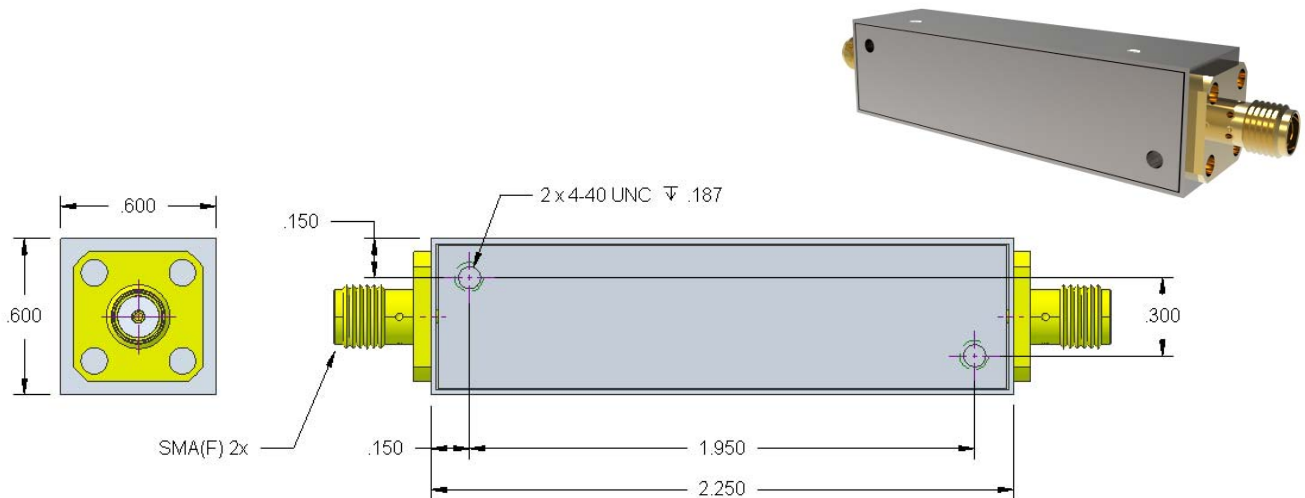
Web www.krfilters.com
Email sales@krfilters.com
Phone (732) 636-1900
Fax (732) 636-1982

KR Electronics 3345-14.7-SMA

Specifications

Parameter	Specification	
Filter type	Notch	
Notch Frequency	14.7 MHz	
1 dBc Bandwidth	14.3 MHz typical	
3 dBc Bandwidth	12 MHz typical	
40 dBc Bandwidth	2.7 MHz typical	
60 dBc Bandwidth	0.94 MHz typical	
Rejection at 14.7 MHz	40 dBc min	>60 dBc typical
Source and Load	50 Ω	

Physical Dimensions



Notes:

1. Dimensions in inches
2. Rectangular case

KR Electronics, Inc.
 91 Avenel Street
 Avenel, NJ 07001

Web www.krfilters.com
 Email sales@krfilters.com
 Phone (732) 636-1900
 Fax (732) 636-1982