

# SSR620DIN-AC22

Relay, SE Relays, solid state, SPST NO, 20A, 48...660 VAC, 90...280 VAC U<sub>c</sub>, SCR, AC zero cross, 22 mmm



## Main

Range	Legacy
Product Type	Solid state relay
Maximum output current	20 A
Mounting Support	Panel DIN rail
Network Number of Phases	1 phase
Output Voltage	48...660 V AC

## Complementary

Input Current Limits	5 mA at 240 V AC typical
Switch Function	SPST
Contacts Type and Composition	NO
Tightening Torque	0.6...0.7 N.m for input 0.6...0.7 N.m for output
Connections Terminals	Input screw AWG 10) Output screw AWG 10)
Local Signalling	for input status 1 LED (green)
Switching Voltage	110 V AC turn-on 18 V AC turn-off
Switching Device	SCR output Zero voltage switching
Maximum Peak Voltage	1200 V
Surge Current	250 A 16.6 ms
Voltage Drop	<1.6 V on-state
Maximum I <sup>2</sup> t for fusing	260 A <sup>2</sup> .s 8.3 ms
Leakage Current	1 mA at off-state

Disclaimer: This documentation is not intended as a substitute for and is not to be used for determining suitability or reliability of these products for specific user applications

DV/Dt	500 V/ $\mu$ s off-state maximum
Response Time	10 ms (turn-on) 40 ms (turn-off)
Height	3.85 in (97.7 mm)
Width	0.88 in (22.4 mm)
Depth	3.15 in (80 mm)
Product Weight	9.88 oz (280 g)

## Environment

Product Certifications	CSA CE
Ambient Air Temperature for Operation	-40...176 °F (-40...80 °C)
Ambient Air Temperature for Storage	-40...257 °F (-40...125 °C)

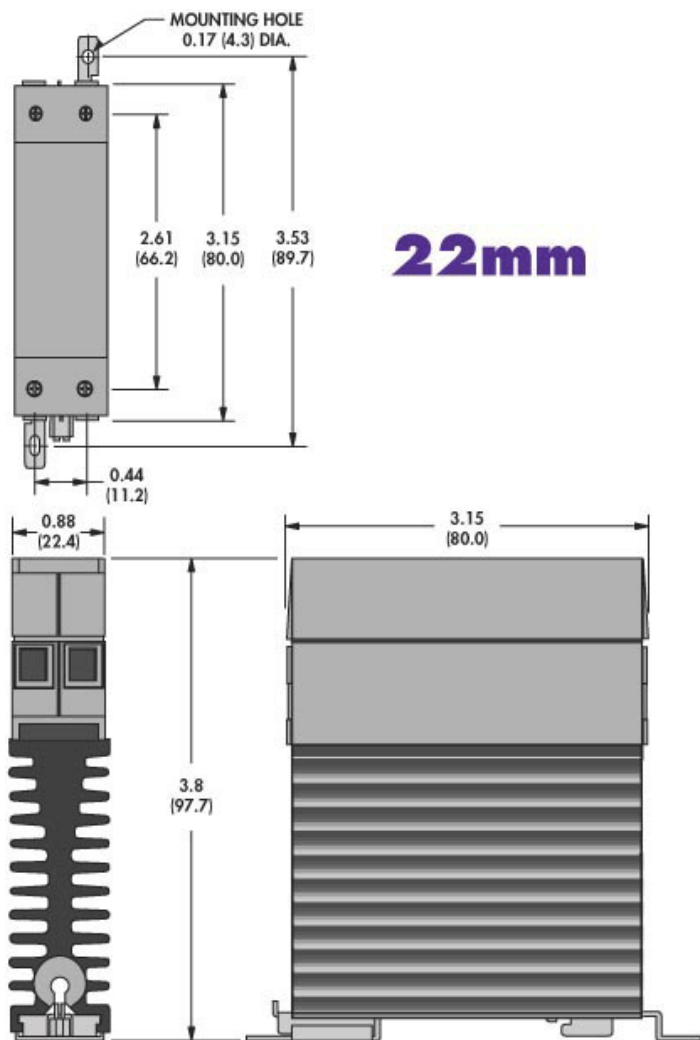
## Ordering and shipping details

GTIN	03606480282898
------	----------------

## Offer Sustainability

Sustainable offer status	Green Premium product
California proposition 65	WARNING: This product can expose you to chemicals including: Lead and lead compounds, which is known to the State of California to cause cancer and birth defects or other reproductive harm. For more information go to <a href="http://www.P65Warnings.ca.gov">www.P65Warnings.ca.gov</a>
REACH Regulation	<a href="#">REACH Declaration</a>
EU RoHS Directive	Pro-active compliance (Product out of EU RoHS legal scope) <a href="#">EU RoHS Declaration</a>
Mercury free	Yes
RoHS exemption information	<a href="#">Yes</a>
China RoHS Regulation	<a href="#">China RoHS declaration</a>
Environmental Disclosure	<a href="#">Product Environmental Profile</a>
Circularity Profile	<a href="#">End of Life Information</a>
WEEE	The product must be disposed on European Union markets following specific waste collection and never end up in rubbish bins.

Approximate Dimensions



Connections and Wiring Diagrams

